

710P-MA(FA) SERIES POLY-ALLOY (PPSU) CRIMP PEX FITTING - ADAPTER

FEATURES:

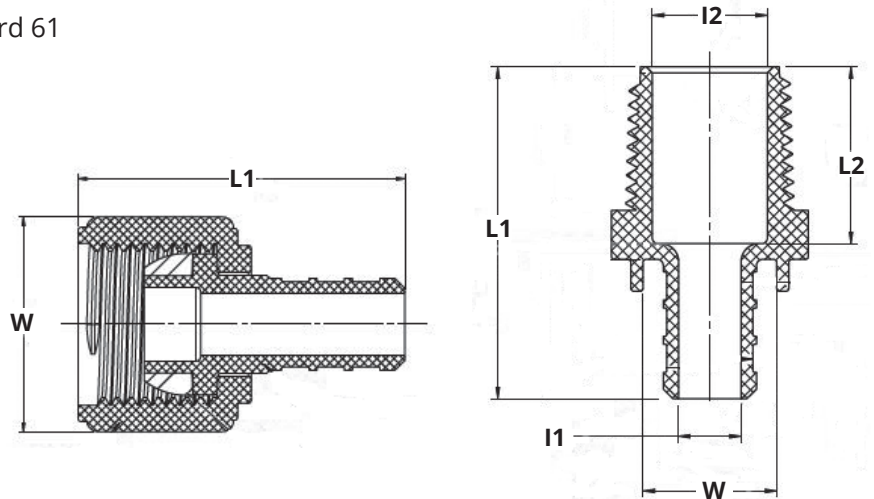
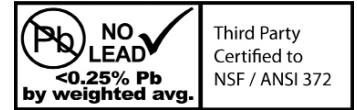
- Designed for use in ASTM F2159 PEX cold and hot water distribution systems
- For use with SDR9 PEX tubing utilizing a crimp ring system
- Poly-Alloy material provides resistance to chemicals and in corrosive/aggressive water conditions
- Integral locating tabs to ensure tubing and fitting are installed properly and eliminates faulty crimp connections

SPECIFICATION:

- Max Pressure Rating: 100 PSI
- Max Temperature Rating: 180°F (82°C)
- Solvay Acudel® PPSU Polyphenylsulfone Polymer

CERTIFICATION:

- cUPC Standard ASTM F877 / F2159 & CSA B137.5 Certified
- NSF/ANSI Standard 14 & 372 Certified
- Material complies with NSF/ANSI Standard 61



DIMENSIONS												
Part No.	Size	I1		I2		L1		L2		W		Weight grams
		inches	mm	inches	mm	inches	mm	inches	mm	inches	mm	
710P-MA05	1/2" x 1/2" MNPT	0.32	8.08	0.59	14.86	0.79	20.07	0.90	22.86	0.68	17.27	6.65
710P-MA0507	1/2" x 3/4" MNPT	0.32	8.08	0.75	18.92	0.80	20.19	0.85	21.46	0.68	17.27	9.27
710P-MA07	3/4" x 3/4" MNPT	0.46	11.76	0.75	18.92	0.81	20.57	0.83	21.08	1.25	31.62	10.36
710P-MA0705	3/4" x 1/2" MNPT	0.46	11.76	0.59	14.86	0.81	20.57	0.90	22.86	1.00	25.40	7.33
710P-MA10	1" x 1" MNPT	0.61	15.57	0.84	21.39	1.03	26.14	0.81	20.52	1.50	38.10	18.97
710P-FA05S	1/2" x 1/2" FNPT SWIVEL	0.32	8.08	0.32	8.08	1.68	42.67	---	---	1.10	28.04	11.25
710P-FA07S	3/4" x 3/4" FNPT SWIVEL	0.46	11.76	0.46	11.76	1.90	48.34	---	---	1.36	34.54	16.56



25 Whaley Avenue, PO Box 310, Milverton, ON CANADA N0K 1M0
Tel: 800-561-3164

boshart.com ♦ blog.boshart.com