

# HYMAX 2

## HYMAX<sup>®</sup> 2 COUPLING (2" - 12")



### FEATURES

- ADVANCED WIDE-RANGE COUPLING WITH A PATENTED FLIP GASKET
- ELIMINATES GASKET REMOVAL MISTAKES AND MAXIMIZES INSTALLER WORK EFFICIENCY
- ONLY 2-4 TOP FACING BOLTS, FOR FASTER AND SAFER INSTALLATION
- READY-TO-USE DESIGN TO ELIMINATE EXTENSIVE UNDER-PIPE DIGGING
- ALLOWS 4° DYNAMIC DEFLECTION ON EACH END, REDUCING FUTURE PIPE DAMAGE
- PATENTED HYDRAULICALLY-ASSISTED GASKET WITH 2-STAGE SEALING
- SUITABLE FOR ALL TYPES OF PIPES - DUCTILE IRON, CAST IRON, STEEL, COPPER, PE, PVC, AC, GRP
- ONE PRODUCT CAN CONNECT PIPES OF TWO DIFFERENT MATERIALS
- BASED ON THE GAME-CHANGING HYMAX THAT HAS BEEN FIELD-PROVEN IN MILLIONS OF INSTALLATIONS IN THE US
- PRODUCT PERFORMANCE, OD RANGE AND PRESSURES ARE IDENTICAL TO THOSE OF THE ORIGINAL HYMAX
- LIFTING T-HANDLE EXISTS IN SIZES 3"-12" ONLY

### SPECIFICATIONS

#### STANDARDS

HYMAX2 MEETS OR EXCEEDS STANDARDS AWWA C-219, NSF 61, NSF 372.

#### SIZE

AVAILABLE IN NOMINAL DIAMETER FROM 2" - 12" STANDARD. CALL KRAUSZ FOR DETAILS.

#### MATERIALS

**END RINGS** ASTM A283 / A283M GRADE C STEEL.

**CENTER RING** ASTM A53 GRADE A STEEL.

**GASKETS** EPDM COMPOUNDED FOR WATER AND SEWAGE, MEETS INTERNATIONAL STANDARDS FOR CONTACT WITH DRINKING WATER.

**BRIDGE** AISI 304 STAINLESS STEEL.

**SPHERICAL SPACERS** AISI 304 STAINLESS STEEL.

**COATING** 100% FUSION BONDED EPOXY FOR ENHANCED CORROSION PROTECTION. AVERAGE THICKNESS 14 MIL.

**NUTS & BOLTS** AISI 304 STAINLESS STEEL. ROLLED THREAD AND ANTI-GALLING COATING.

# HYMAX<sup>®</sup>

Repair the past. Connect the future.

**KRAUSZ** is the creator of HYMAX

# PRODUCT SPECIFICATIONS

## HYMAX 2

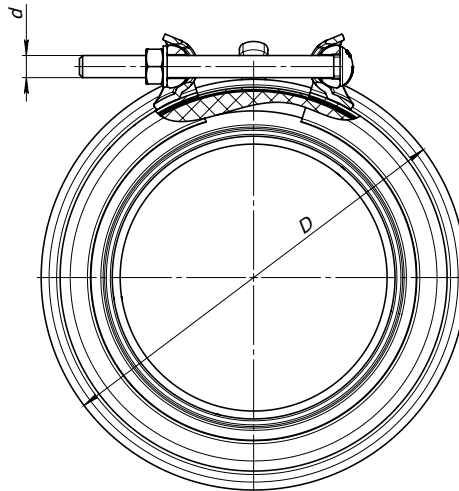
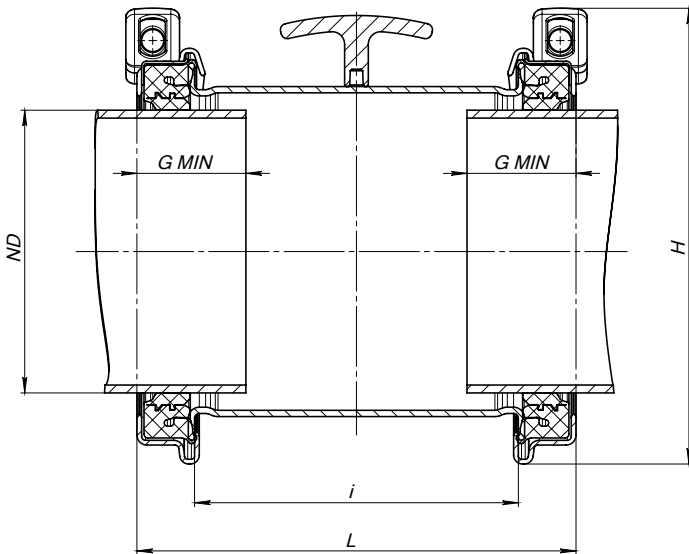
### PRODUCT PERFORMANCE (\*)

WORKING TEMPERATURE	-20°F UP TO +125°F	
DYNAMIC DEFLECTION	UP TO 4° PER SIDE	
MIN. PIPE INSERTION	2.25"	
MAXIMUM OFFSET FOR MISALIGNED PIPES	2" - 3"	4" - 12"
	0.39"	0.51"
MAXIMUM OUT OF ROUNDNESS	2" - 3"	4" - 12"
	0.20"	0.31"
WORKING PRESSURE	260	
RATED PRESSURE	390	
VACUUM TEST	12 PSI	

\* See Submittal Drawings For Details.



### PRODUCT TABLES



# PRODUCT SPECIFICATIONS

## HYMAX 2



### PRODUCT TABLES

#### HYMAX® 2 NOMINAL SIZES (2" - 12")

Krausz Part Number	Nominal Diameter (inch)	Overall Range (inch)	Range in closed gasket position (inch)	Range in open gasket position (inch)	Bolt Qty. and Size (mm)	Torque (Ft-Lbs)	Approx. Weight (Lbs)	Length (inch)
860-54-0054-16	2	2.10-3.03	2.10-2.60	2.56-3.03	2 -M12	50	7.5	6.8
860-54-0088-16	3	3.46-4.33	3.46-3.90	3.86-4.33	2 -M12	50	10.8	8.8
860-54-0108-16	4	4.25-5.63	4.25-5.00	4.92-5.63	2 -M14	75	15	8.8
860-54-0130-16	5	5.12-6.38	5.12-5.75	5.71-6.38	2 -M14	75	19	10.8
860-54-0163-16	6	6.42-7.68	6.42-7.05	7.01-7.68	2 -M14	75	23	10.8
860-54-0190-16	7	7.48-8.74	7.48-8.11	8.07-8.74	2 -M14	75	24	10.8
860-54-0217-16	8	8.54-9.84	8.54-9.17	9.13-9.84	2 -M14	75	28	10.8
860-54-0272-16	10	10.70-12.00	10.70-11.37	11.33-12.00	2 -M14	75	32	10.8
860-54-0278-16	10	10.96-12.26	10.96-11.63	11.59-12.26	2 -M14	75	33	10.8
860-54-0315-16	12	12.40-13.66	12.40-13.03	12.99-13.66	2 -M14	80	39	10.8
860-54-0334-16	12	13.15-14.41	13.15-13.78	13.74-14.41	2 -M14	80	39	10.8

For specific sizes of products in stock, call Krausz for details. Copyright © 2017 Krausz Industries Ltd., All rights reserved

# **HYMAX**®

Repair the past. Connect the future.

---

 **KRAUSZ** is the creator of HYMAX

**331SW 57TH AVENUE, OCALA, FLORIDA 34474**

**TEL: 855-457-2879 | 855-4KRAUSZ**

**FAX: 352-304-5787**

**[info@krauszusa.com](mailto:info@krauszusa.com) | [www.krauszusa.com](http://www.krauszusa.com)**

---

This product is protected under a registered patent. See Krausz website for details. Copyright © 2017 Krausz Industries Ltd., All rights reserved