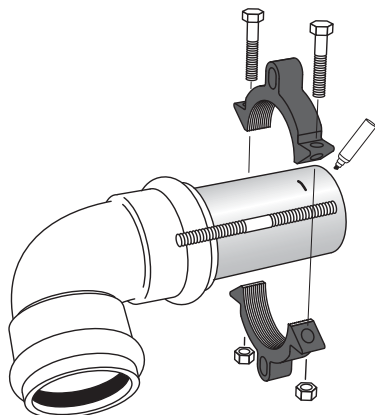
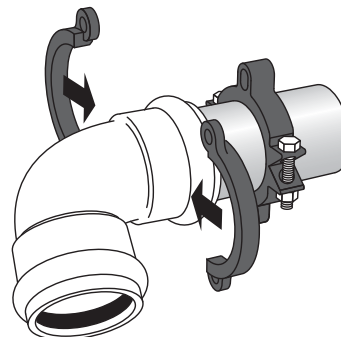


2"-12" SERIES 1360-S AND 4"-8" SERIES 1360-C INSTALLATION INSTRUCTIONS

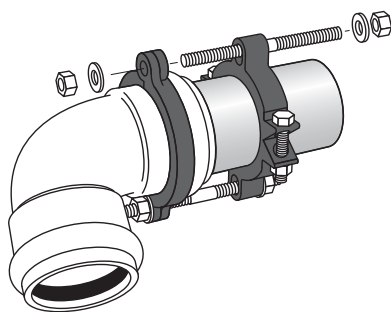
Refer to the Ford website (<http://www.fordmeterbox.com>) for additional and most recent instructions and product information.



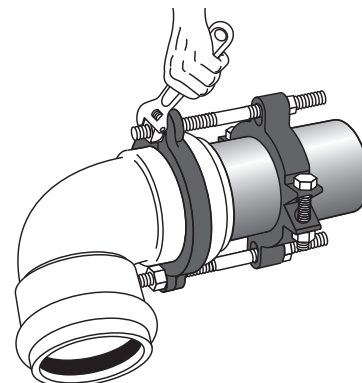
1. Install Series 1300 split restraint ring on the spigot end of the pipe. (Use connecting rod as a guide to position split restraint ring.) Tighten clamping bolts evenly at least to the minimum recommended torque. Install pipe into fitting.



2. Install split back-up ring behind gasket race of fitting (make sure the bevel faces the gasket race). The two halves interlock at the bolt holes.



Minimum Recommended Clamping Bolt Torque	
2" through 6"	100 Ft. Lbs.
8"	150 Ft. Lbs.
10" and 12"	200 Ft. Lbs.



3. Insert extra long rod (provided) through bolt holes on the restrainer and through bolt holes on back-up ring. Place washers against restraint ring and back-up ring ears.

4. Tighten nuts behind back-up ring and restrainer. (Hand tight retaining nuts, then one revolution...do not over-tighten).

TECHNICAL DATA

Nom. Pipe Size	PVC Pipe w/steel pipe OD (IPS) UFR1360-S	PVC Pipe w/ D.I. pipe OD (C-900) UFR1360-C	Connecting Rods	Clamping (Side) Bolts	Pressure Rating (psi)
2	2.38	—	(2) 5/8" x 11"	(2) 5/8" x 3 1/2"	150
2-1/2"	2.88	—	(2) 5/8" x 11"	(2) 5/8" x 3-1/2"	150
3	3.50	—	(2) 5/8" x 11"	(2) 5/8" x 3 1/2"	150
4	4.50	4.80	(2) 3/4" x 12"	(2) 5/8" x 3 1/2"	150
6	6.63	6.90	(2) 3/4" x 12"	(2) 5/8" x 3 1/2"	150
8	8.63	9.05	(2) 3/4" x 12"	(2) 3/4" x 4"	150
10	10.75	—	(4) 3/4" x 17"	(2) 7/8" x 5"	150
12	12.75	—	(4) 3/4" x 24"	(2) 7/8" x 5"	150



The Ford Meter Box Co., Inc. 775 Manchester Avenue, P.O. Box 443, Wabash, Indiana, USA 46992-0443
 Telephone: 260/563-3171 FAX: 1-800-826-3487 Overseas FAX: 260/563-0167 <http://www.fordmeterbox.com>