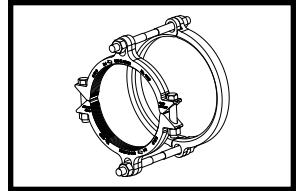


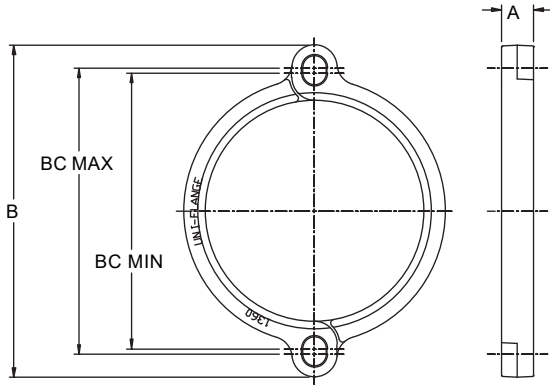
# SUBMITTAL INFORMATION

## Uni-Flange Restraint - (UFR1360-C-x-I style)

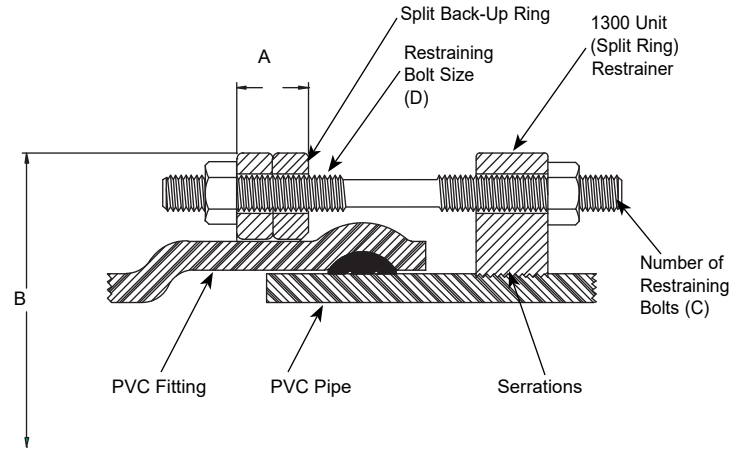


UNI-FLANGE 1360-C RESTRAINT DEVICE FOR PVC PIPE AND PRESSURE FITTINGS  
PIPE SIZES 4" - 8"

1360 Back-Up Ring



1360 Assembly



NOM PIPE SIZE	PVC PIPE WITH DUCTILE IRON PIPE OD STYLE 1360-C		A	B APPROX	RESTRAINING RODS		BC MIN	BC MAX	APPROX. WT. LBS.	✓ SUBMITTED ITEMS
	OD	CATALOG No.			QTY. C	SIZE D				
6"	6.90	UFR1360-C-6-I	1-1/8"	11-7/8"	2	3/4" x 12"	9.90"	10.26"	18.0	
8"	9.05	UFR1360-C-8-I	1-1/8"	14-9/16"	2	3/4" x 12"	13.07"	13.07"	29.0	

### FEATURES

- Split ring restraint and split back-up ring cast of 65-45-12 grade ductile iron per ASTM A536 - Armorguard e-coat applied epoxy
- Rods & nuts (included) - High strength, low alloy steel per ANSI/AWWA C111/A21.11
- Rated at full-rated pressure of any class PVC pipe, minimum 2:1 safety factor
- Fits standard C907 fittings

The Ford Meter Box Company considers the information in this submittal form to be correct at the time of publication. Item and option availability, including specifications, are subject to change without notice. Please verify that your product information is current.



**The Ford Meter Box Company, Inc.**

P.O. Box 443, Wabash, Indiana U.S.A. 46992-0443

Phone: 260-563-3171 / Fax: 800-826-3487

Overseas Fax: 260-563-0167

www.fordmeterbox.com



12/12/17

Submitted By: