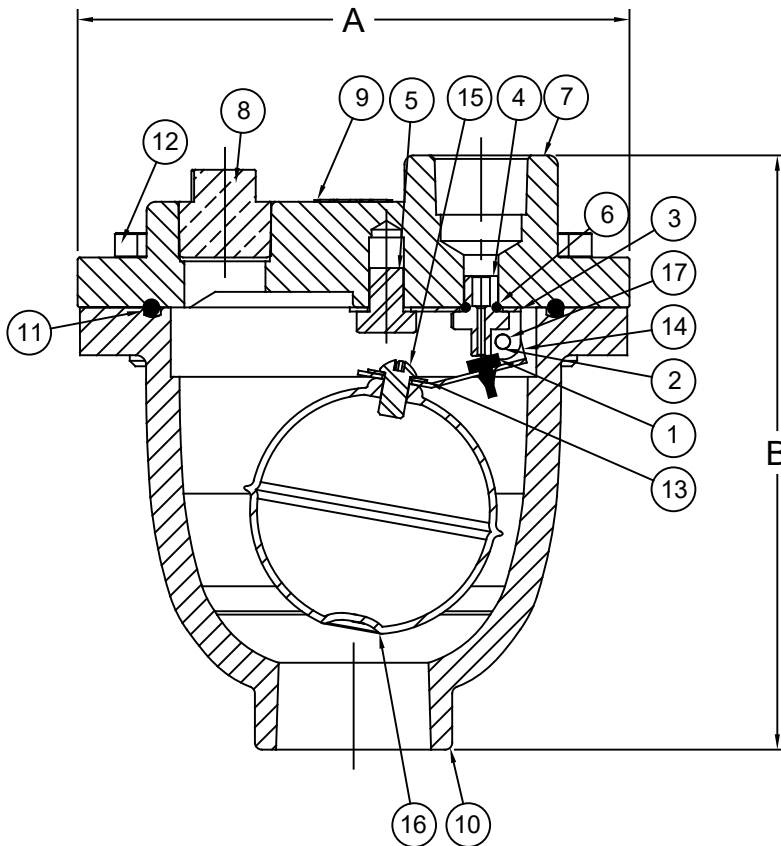


Air Release Valve

Sizes 3/8" thru 1" / 10mm thru 25mm



Materials



Part Numbers: 6500 thru 6502

Optional Orifice Ø	Max. Working Pressure
5/32"	40 PSIG
1/8"	50 PSIG
3/32"	85 PSIG
* 1/16"	150 PSIG
3/64"	200 PSIG
1/32"	300 PSIG

Part Number 6503

Optional Orifice Ø	Max. Working Pressure
5/16"	100 PSIG
*1/4"	150 PSIG
3/16"	200 PSIG
5/32"	250 PSIG
1/8"	300 PSIG

*Standard operating pressure is:
minimum 20 psig & maximum 150 psig.
Consult factory for pressure outside this range.

Item #	Qty	Description	Material	ASTM	Item #	Qty	Description	Material	ASTM
1	1	Orifice Button	Viton	-----	10	1	Body	Cast Iron	A126
2	1	Pivot Pin	Stainless Steel	304	11	1	Cover O'Ring	EPDM	-----
3	1	Lever Frame	Stainless Steel	304	12	6	Cover Bolt	Carbon Steel	A563
4	1	Seat	Stainless Steel	304	13	1	Tooth Lock Washer	Stainless Steel	304
5	1	Lever Frame Bolt	Stainless Steel	304	14	1	Float Arm	Stainless Steel	304
6	1	Seat O'Ring	Viton	-----	15	1	Float Ball Bolt	Stainless Steel	304
7	1	Flange	Cast Iron	A126	16	1	Float	Stainless Steel	304
8	1	Pipe Plug	Brass	C36000	17	2	Pin retainer	Stainless Steel	304
9	1	Tag	Aluminum	-----					

Dimensions

Max. Temp 150°F (65C)
Max. Inlet Pressure 150 psi (10 bar)

Size		Part #	ØA		B		INLET SIZE		OUTLET SIZE		Weight	
inch	mm		inch	mm	inch	mm	inch	mm	inch	mm	lbs	kg
3/8	10	6500	4-31/32	126	5-11/32	136	3/8	10	3/8	10	7	3
1/2	15	6501	4-31/32	126	5-11/32	136	1/2	15	3/8	10	7	3
3/4	20	6502	4-31/32	126	5-11/32	136	3/4	20	3/8	10	7	3
1	25	6503	4-31/32	126	5-11/32	136	1	25	1/2	15	7	3

Flomatic Corporation can accept no responsibility for possible errors in catalogues, brochures and other printed material. Flomatic Corporation reserves the right to alter its products without notices. This also applies to product already agreed. All trademarks in this material are property of the respective companies. All rights reserved. ©2022 Flomatic Corporation. The drawings & information on this drawing sheet are the sole & exclusive property of Flomatic Corporation. Any reproduction, distribution, display or use of these drawings or information in whole or in part without written authorization of Flomatic Corporation is strictly prohibited. www.flomatic.com