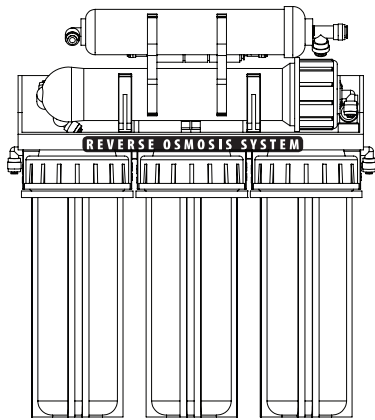
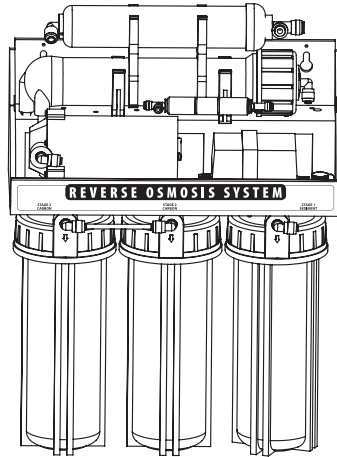


Replacement Instructions: 4 and 5 STAGE RO



Economy R075 5 Stage



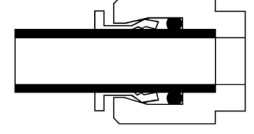
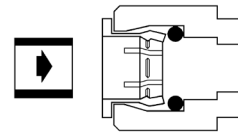
Economy R075BP 5 Stage

Quick-Connect Fitting

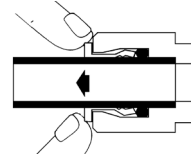
Insertion & Removal of Plastic or Copper Tubing

2. Tube is secured in position.

1. Simply push in tube to attach.



3. Push in collet from both sides to release tubing.



DIRECTIONS FOR CHANGING FILTERS

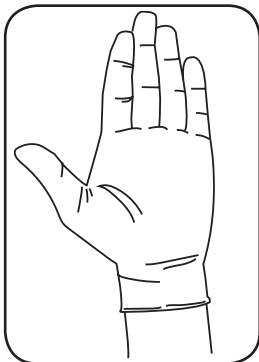
HOW OFTEN YOU CHANGE YOUR FILTERS VARIES ON THE QUALITY OF WATER COMING TO THE RO AND THE AMOUNT OF WATER PRODUCED BY THE RO. THE RO FILTERS SHOULD BE CHANGED AT LEAST EVERY YEAR, BUT IF WATER QUALITY IS LOW OR HIGHER AMOUNTS OF WATER ARE USED, IT IS RECOMMENDED THAT THEY BE CHANGED MORE OFTEN. FILTERS CANNOT BE CHANGED TOO OFTEN.

PRE FILTERS:

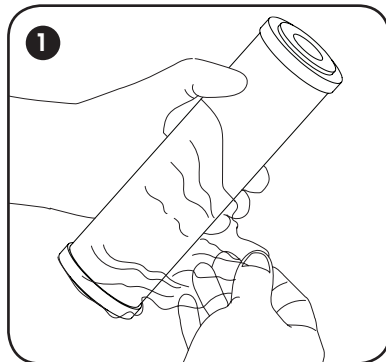
1. Turn off cold water supply and valve on top of storage tank. Wait for pressure to bleed off.
2. Unscrew housing from cap, discard used cartridge and remove o-ring. Clean housing with hot water and 1 tablespoon of bleach. Rinse thoroughly.
3. Wipe o-ring clean and place back in groove. Make sure the o-ring is properly seated when installing.
4. Insert replacement cartridge (some filters have an arrow that points up, so they must be installed in the direction of the arrow). Screw housing onto cap and tighten.

Install Filter Cartridges

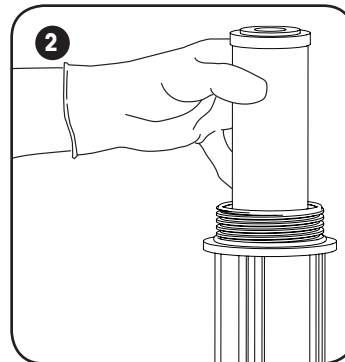
Wear Gloves



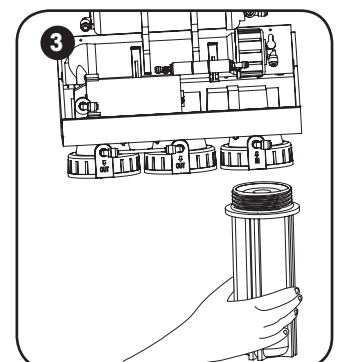
1. Remove Plastic Wrap from Filter



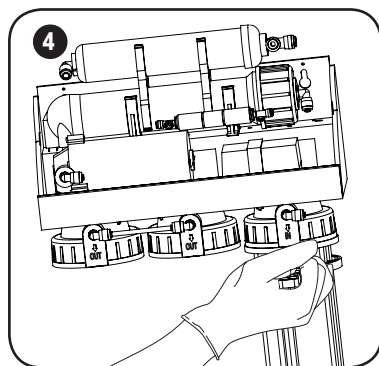
2. Insert Filter into Sump



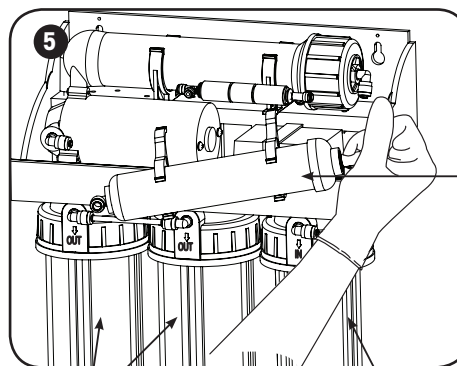
3. Attach Sump to Manifold



4. Tighten the Sump with Wrench



5. Remove Post Carbon Housing



Used on 5 Stage RO

Carbon Filter

Sediment Filter