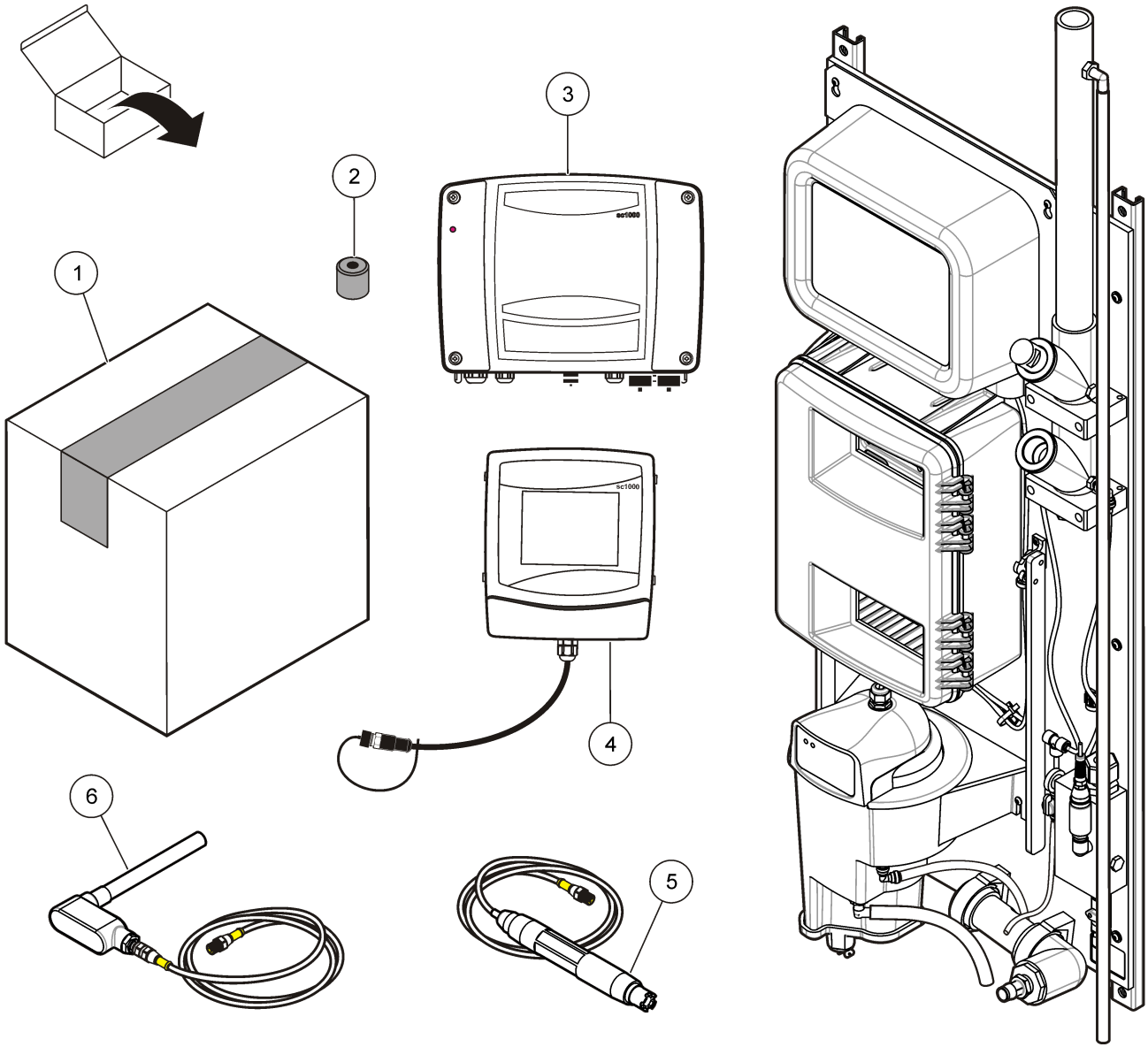
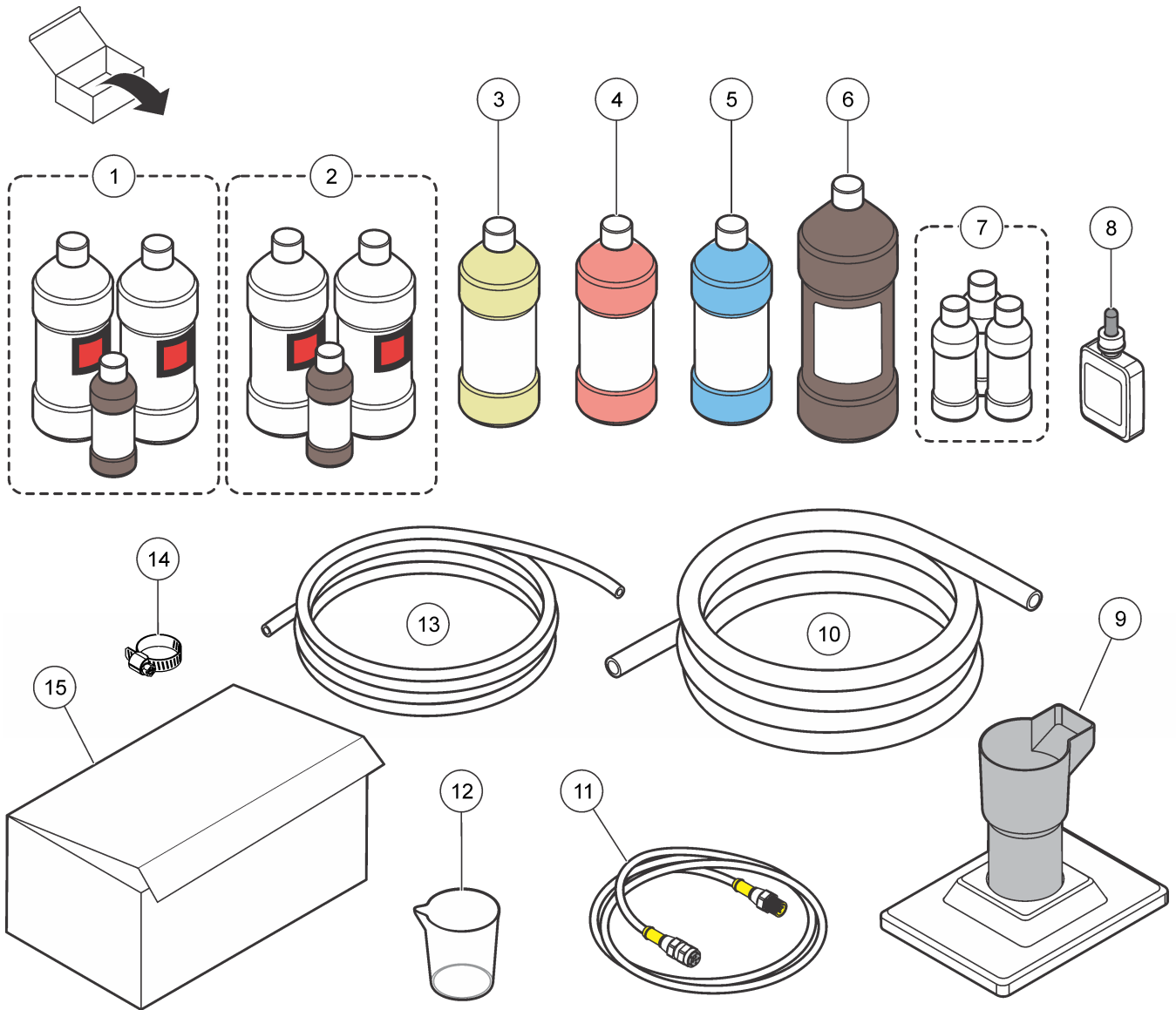


## 6960400



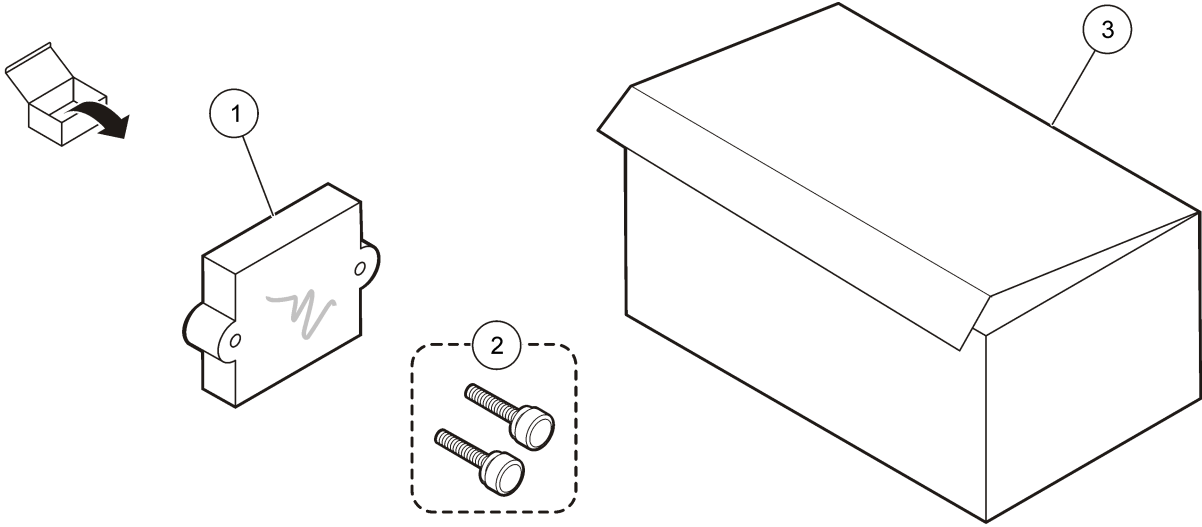
|                   |                   |
|-------------------|-------------------|
| 1 6846200         | 4 LXV402.99.00002 |
| 2 6944300 (2x)    | 5 DPD1R1-WDMP     |
| 3 LXV400.99.5A322 | 6 D3422C3-SC      |

# 6846200



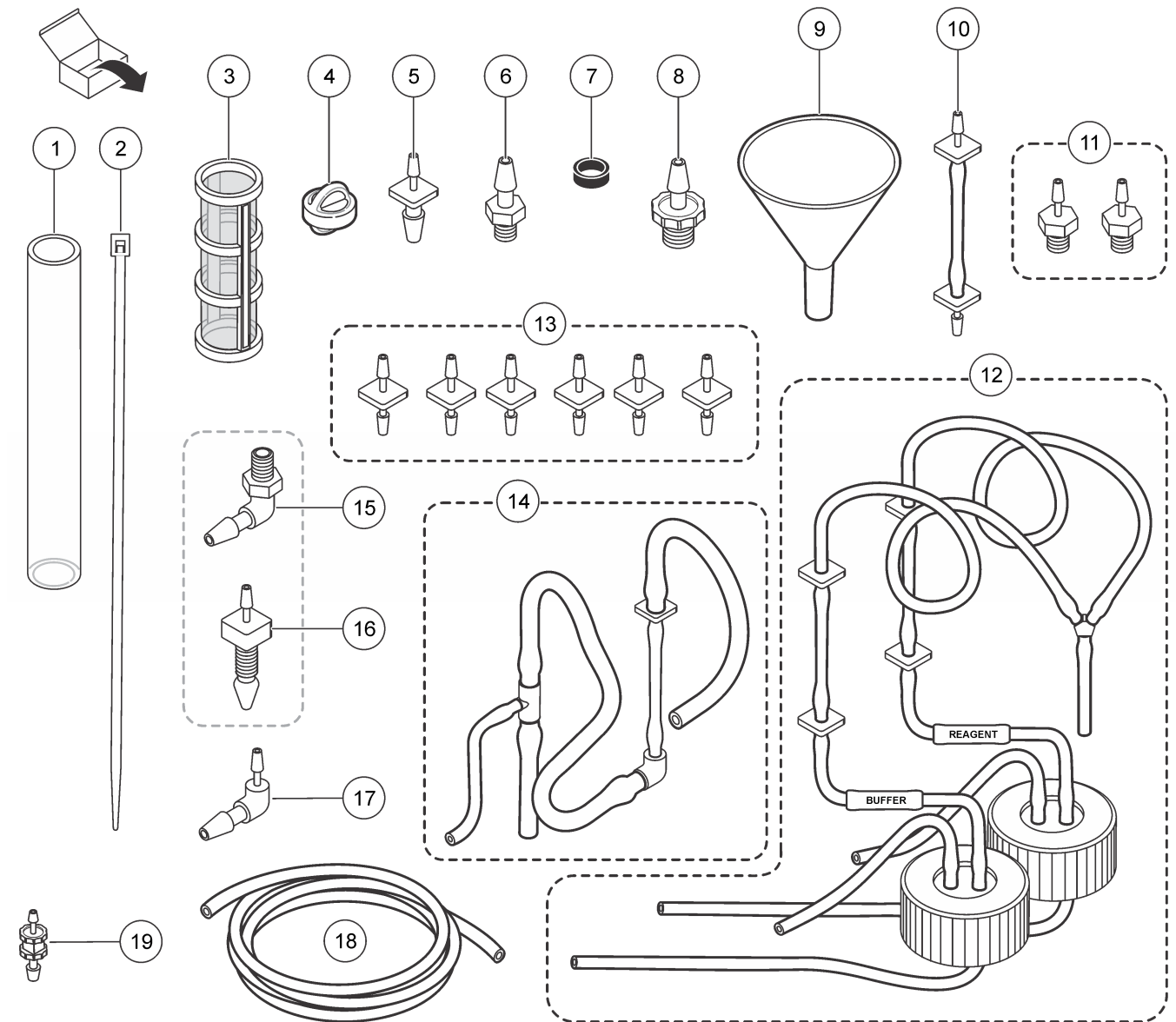
|                  |                   |
|------------------|-------------------|
| <b>1</b> 2556900 | <b>9</b> 4415300  |
| <b>2</b> 2557000 | <b>10</b> 5994800 |
| <b>3</b> 2283549 | <b>11</b> 6122400 |
| <b>4</b> 2283449 | <b>12</b> 108042  |
| <b>5</b> 2283649 | <b>13</b> 5115900 |
| <b>6</b> 2660153 | <b>14</b> 4666800 |
| <b>7</b> 1440042 | <b>15</b> 5444302 |
| <b>8</b> 203832  |                   |

**5444302**



|           |           |           |
|-----------|-----------|-----------|
| 1 5411800 | 2 5410100 | 3 5444301 |
|-----------|-----------|-----------|

# 5444301



|           |                 |                            |
|-----------|-----------------|----------------------------|
| 1 5410800 | 8 5743800       | 15 4521700                 |
| 2 679045  | 9 1971900       | 16 5414600                 |
| 3 5418400 | 10 5417300      | 17 4661900                 |
| 4 6865600 | 11 1687800 (2x) | 18 4271700, 61 cm (2.0 ft) |
| 5 3114600 | 12 5448300      | 19 9222300                 |
| 6 1906500 | 13 3100200 (6x) |                            |
| 7 4431200 | 14 5448400      |                            |

**HACH COMPANY World Headquarters**  
P.O. Box 389, Loveland, CO 80539-0389 U.S.A.  
Tel. (970) 669-3050  
(800) 227-4224 (U.S.A. only)  
Fax (970) 669-2932  
orders@hach.com  
www.hach.com

**HACH LANGE GMBH**  
Willstätterstraße 11  
D-40549 Düsseldorf, Germany  
Tel. +49 (0) 2 11 52 88-320  
Fax +49 (0) 2 11 52 88-210  
info@hach-lange.de  
www.hach-lange.de

**HACH LANGE Sàrl**  
6, route de Compois  
1222 Vézenaz  
SWITZERLAND  
Tel. +41 22 594 6400  
Fax +41 22 594 6499

