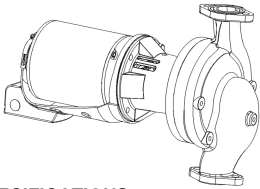


JOB:	REPRESENTATIVE:	
UNIT TAG:	ORDER NO.:	DATE:
ENGINEER:	SUBMITTED BY:	DATE:
CONTRACTOR:	APPROVED BY:	DATE:



1x1x5.25

Series e-60[®]

Maintenance Free In-Line Mounted Pump

SPECIFICATIONS

FLOW _____ HEAD _____

HP _____ RPM _____

VOLTS _____

CYCLE _____ PHASE _____

ENCLOSURE _____

APPROX. WEIGHT _____

SPECIALS _____

MATERIALS OF CONSTRUCTION

- BRONZE FITTED ALL BRONZE

FEATURES

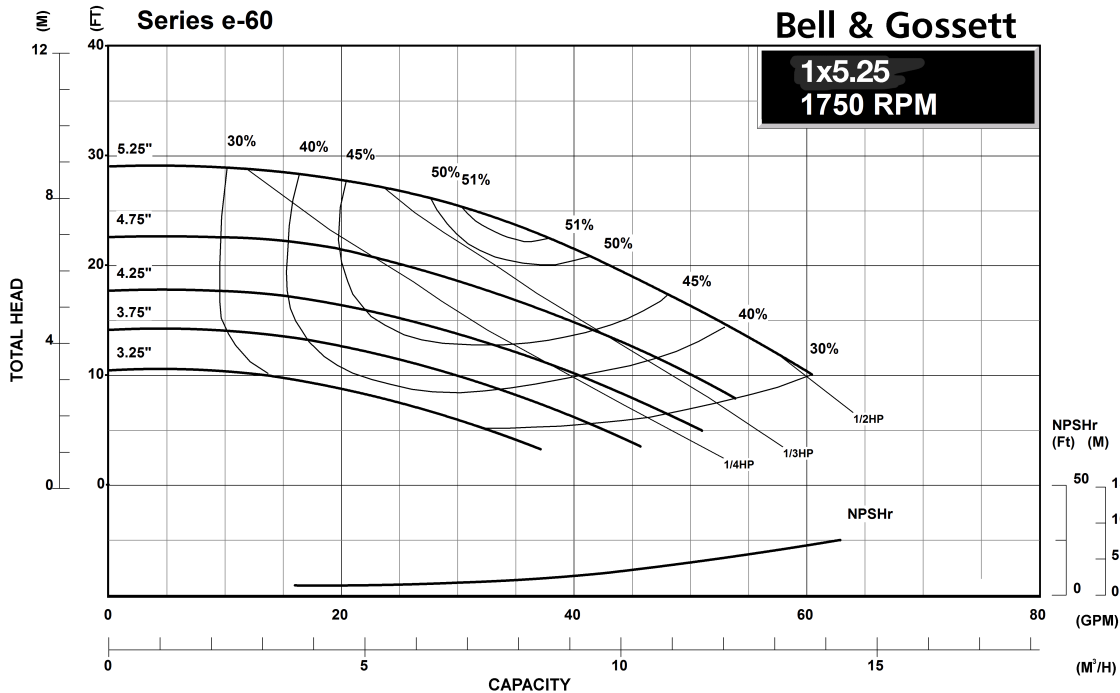
- MAINTENANCE FREE PUMP
- UNITIZED INTERNALLY SELF-FLUSHING MECHANICAL SEAL
- XLI[®] BEARING LUBRICATION SYSTEM
- THREE YEAR WARRANTY
- FACTORY TEST

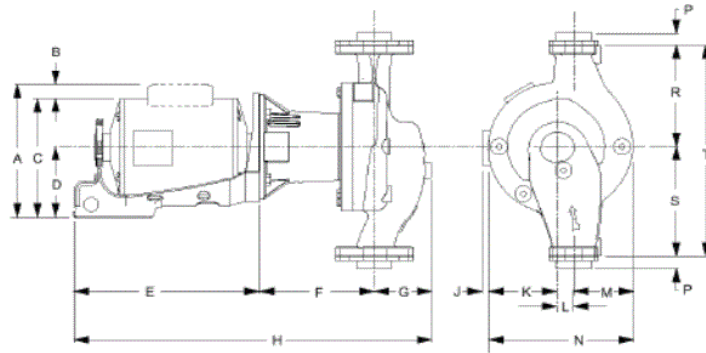
WORKING PRESSURE

- 175 psi (12 bar) W.P.

TYPE OF SEAL

- Standard Seal
EPR/Carbon/Silicon Carbide
-20 °F TO 250 °F (-29 °C TO 121 °C)
- Optional Seal
FKM/Carbon/Silicon Carbide
-20 °F TO 225 °F (-29 °C TO 107 °C)
- Optional Seal
EPR/Graphite loaded Silicon Carbide on Graphite loaded Silicon Carbide
-20 °F TO 250 °F (-29 °C TO 121 °C)





SUCTION AND DISCHARGE SIZE INCHES NPT	PUMP DIMENSIONS IN INCHES (MM)									
	F	G	K	L	M	N	P	R	S	T
1	6.44 (164)	3.44 (87)	3.62 (92)	1.38 (35)	2.5 (64)	7.5 (191)	0.75 (19)	5 (127)	6 (152)	11 (279)

MAXIMUM WORKING PRESSURE 175PSI (12BAR)

ALL MOTORS 1750RPM

>
>
>

DIMENSIONS - INCHES (MM)

MOTOR HP		MOTOR DIMENSIONS - INCHES (MM)					
HP	PHASE	A (max)	B	C	D	E	H
1/4	1	10.12 (257)	2.25 (57)	7.88 (200)	4.38 (111)	10 (254)	19.88 (505)
1/4	3	7.88 (200)	-	7.88 (200)	4.38 (111)	10 (254)	19.88 (505)
1/3	1	10.12 (257)	2.25 (57)	7.88 (200)	4.38 (111)	10 (254)	19.88 (505)
1/3	3	7.88 (200)	-	7.88 (200)	4.38 (111)	10 (254)	19.88 (505)
1/2	1	10.12 (257)	2.25 (57)	7.88 (200)	4.38 (111)	11 (279)	21.12 (536)
1/2	3	7.88 (200)	-	7.88 (200)	4.38 (111)	11 (279)	21.12 (536)
3/4	1	10.12 (257)	2.25 (57)	7.88 (200)	4.38 (111)	11 (279)	21.12 (536)
3/4	3	7.88 (200)	-	7.88 (200)	4.38 (111)	11 (279)	21.12 (536)

DIMENSIONS ARE SUBJECT TO CHANGE. NOT TO BE USED FOR CONSTRUCTION PURPOSES UNLESS CERTIFIED.