





## FLOMATIC® VALVES

Since 1933, Flomatic is a diversified U.S. valve manufacturer producing valve products in sizes ranging from ¼" through 36", in various types for the water and wastewater markets; Flomatic Valves offers one of the most complete line of Ball Check Valves available in the U.S. market today.

Known for their "High Quality Valves Built To Last..." Flomatic was one of the very first U.S. manufacturers that earned both ISO 9001-2015 and ISO 14001-2015 International Quality Management Certification.

Flomatic's valve products are specified and installed in some of the largest water and wastewater projects in the country from the "Big Dig" in Boston, Potable Water and Wastewater systems in New York City, pumping system in Los Angeles to fuel systems associated with the Space Shuttle in Texas and irrigation systems in the heartland of our nations farm lands.

Most of Flomatic products are both NSF/ANSI 61 & 372 certified in addition to offering a wide range of valve products that meet the requirements of the American Iron Steel Act (AIS).

**Specify Flomatic Valve Products Today.**

### FLOMATIC CORPORATION

15 Pruyn's Island Drive,  
Glens Falls, New York 12801  
Phone: (800) 833-2040  
Fax: (800) 314-3155

[WWW.FLOMATIC.COM](http://WWW.FLOMATIC.COM)

Submersible Wastewater  
Pump Association



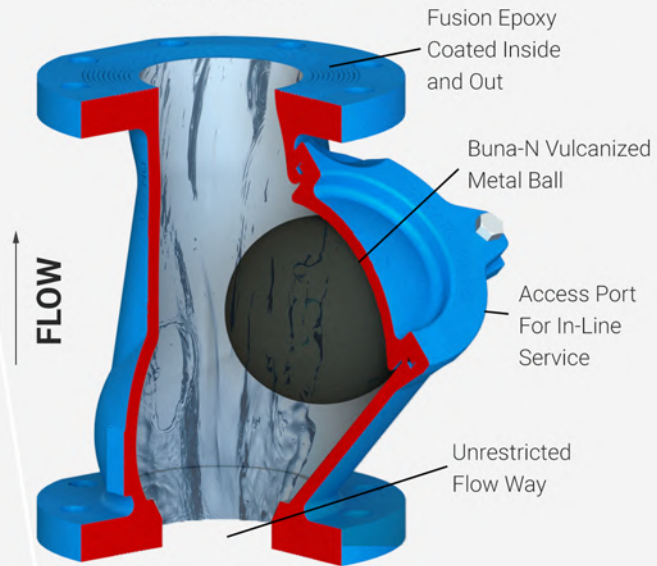
# FEATURES & BENEFITS

Flomatic® offers one of the most complete lines of Ball Check Valves, which are especially designed for demanding wastewater lift stations.

Flomatic® Ball Check Valves have no moving parts except for the ball which automatically moves out of the path of flow minimizing head loss and maximizing efficiency. The random seating of the ball also allows for a longer life.

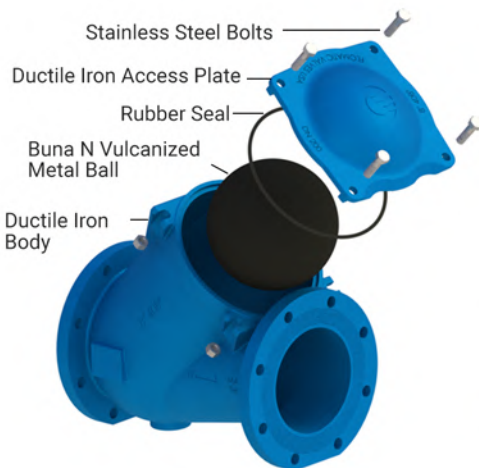
- Low maintenance cost
- Flow efficient
- Easy serviceability
- Random position seating of the ball
- Valves that end clogging and are self-cleaning
- Vacuum relief feature available
- American Iron and Steel Act (AIS) models available

## MODEL 408<sup>2</sup>

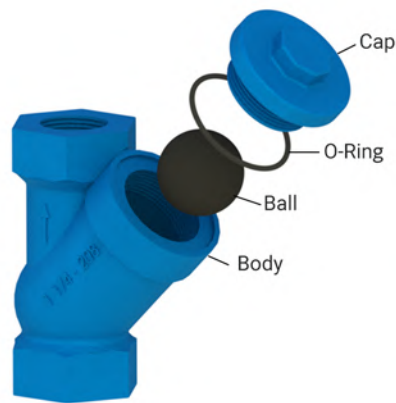


**AVAILABLE IN DUCTILE IRON, 316 STAINLESS STEEL, AND/OR PVC IN 3 DIFFERENT MODELS**

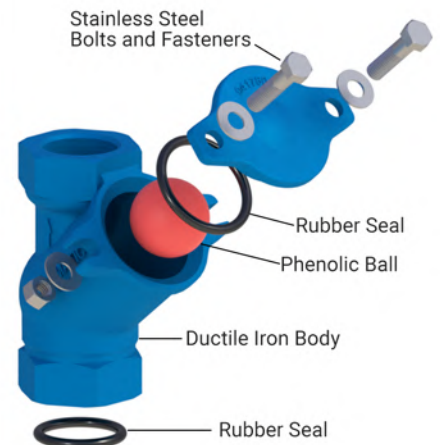
### FLANGED MODEL 408<sup>2</sup>



### THREADED MODEL 208



### THREADED/FLANGED MODEL 508



# MODELS 408, 408<sup>2</sup> & 408<sup>2</sup>S6



A favorite and proven valve model in the wastewater industry for decades. The 408 and 408<sup>2</sup> features a clean-out port permitting access to the inside of the valve without removal from the pipe line. Model 408<sup>2</sup> includes body bosses to accommodate additional components. ANSI 150 flanged connections. Meets AWWA C508 Lay Lengths.

TEMP MAX: 180°F (80°C)    PRESSURE MAX: 150 PSI    SIZES: 3" - 14"

Model 408<sup>2</sup>S6 is an all 316 Stainless steel body and access port, ANSI class 150 flanged connection. NITRILE (Buna-N) covered metal sinking ball and stainless steel fasteners. Meets AWWA C508 Lay Lengths. Includes body bosses to accommodate additional components.

TEMP MAX: 180°F (80°C)    PRESSURE MAX: 150 PSI    SIZES: 4" Other sizes available on request



MODEL 408

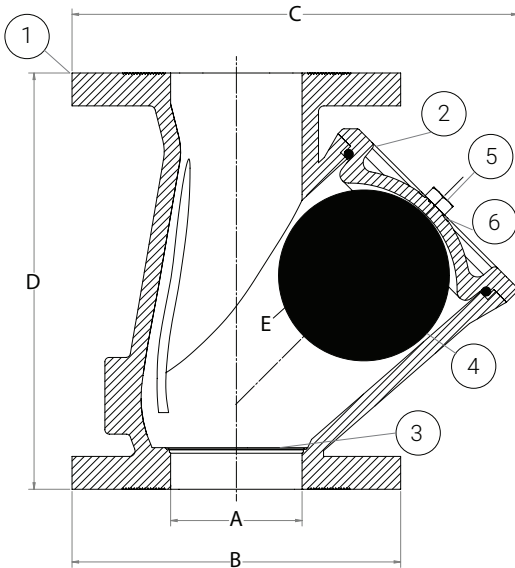


\*MODEL 408<sup>2</sup>



\*MODEL 408<sup>2</sup>S6

## DIMENSIONS



A NOMINAL SIZE	PART #	*AIS	C MAX WIDTH	D LENGTH	E BALL DIAMETER	BOLT CIRCLE DIAMETER	BOLT HOLE DIAMETER	NUMBER OF BOLTS	WGT. (Lbs.)
3"	2144-2		10 1/4"	9 1/2"	3 15/16"	6"	3/4"	4	45
3"	3144		10 1/4"	9 1/2"	3 15/16"	6"	3/4"	4	45
4"	2145-2		11 3/4"	11 1/2"	4 23/32"	7 1/2"	3/4"	8	72
4"	3145		11 3/4"	11 1/2"	4 23/32"	7 1/2"	3/4"	8	72
5"***	2143**		13 1/8"	13 25/32"	6 1/64"	8 1/2"	7/8"	8	85
6"	3146		14 7/32"	14"	7 1/4"	9 1/2"	7/8"	8	132
8"	3147		19 7/8"	19 1/2"	9 21/32"	11 3/4"	7/8"	8	218
10"	3148		22 59/64"	23 5/8"	11 13/16"	14 1/4"	1"	12	272
12"	3149		28 25/64"	27 35/64"	14 13/32"	17"	1"	12	541
14"***	2150**		32 9/32"	34 29/64"	16 35/64"	18 3/4"	1 1/8"	12	790

ITEM	QTY	DESCRIPTION			MATERIAL			ASTM#		
		408	408 <sup>2</sup>	408 <sup>2</sup> S6	408	408 <sup>2</sup>	408 <sup>2</sup> S6	408	408 <sup>2</sup>	408 <sup>2</sup> S6
1	1	Body (Epoxy Coated)	Body (Epoxy Coated)	Body (Stainless Steel)	Cast Iron	Ductile Iron	Stainless Steel	A48	65-45-12	316
2	1	Cover (Epoxy Coated)	Cover (Epoxy Coated)	Cover (Stainless Steel)	Cast Iron	Ductile Iron	Stainless Steel	A48	65-45-12	316
3	1	O'Ring			Buna-N			---		
4	1	Ball			Buna-N/Metal Ball			---		
5	1	Bolt			Stainless Steel			18-8		316
6	2	Nut			Stainless Steel			18-8		316

\* FULL COMPLIANCE WITH THE AMERICAN IRON & STEEL (AIS) PROVISIONS FOR AFFECTED FEDERAL/STATE REVOLVING FUND PROJECTS. CONSULT FACTORY.  
\*\* CAST IRON BODY 125 CLASS



# MODELS 208, 208B & 208T






Model 208 Epoxy coated Cast Iron body, features a NITRILE (Buna-N) "Sinking Ball" and E-Z access port for cleaning or backflush.

Vacuum relief feature to reduce water hammer and noise in pipe lines available.

\* Model 208B has optional bosses for rail mounting systems.

-  TEMP MAX: 180°F (80°C)
-  PRESSURE MAX: 150 PSI
-  SIZES: 1 1/4", 1 1/2", 2"

Model 208T has a corrosion resistant PVC body, a threaded female x female NPT connection, and a Nitrile (Buna-N) Ball. It is also available with a PVC socket weld Model 208S.

-  TEMP MAX: 150°F (65°C)
-  PRESSURE MAX: 100 PSI
-  SIZES: 1", 1 1/4", 1 1/2", 2"



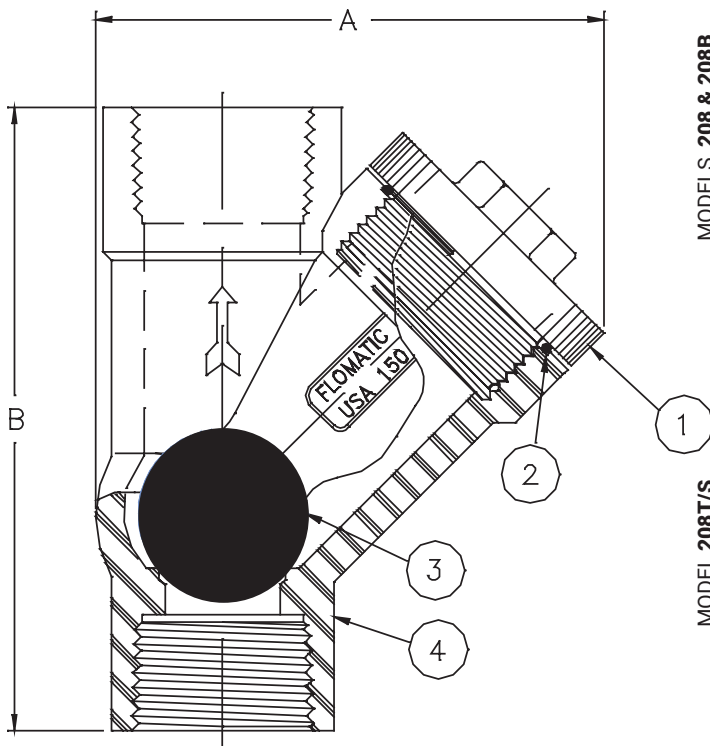
MODEL 208

MODEL 208B

\*MODEL 208T

\*This model is not for ground burial

## DIMENSIONS



MODELS 208 & 208B

SIZE (in.)	PART #	A MAXIMUM WIDTH	B MAXIMUM	BALL DIAMETER	WGT. (Lbs.)
1 1/4"	2141	4 33/64"	5 1/16"	1 5/8"	4.5
1 1/2"	2142-0	6 3/16"	6 3/4"	2 1/2"	9.5
2"	2142	6 3/16"	6 3/4"	2 1/2"	9

ITEM	QTY.	DESCRIPTION	MATERIAL	ASTM#
1	1	Valve Body (Epoxy Coated)	Cast Iron	A126 Class B
2	1	Ball (Sinking)	Buna-N	-----
3	1	Cap	Cast Iron	A126 Class B
4	1	O-Ring	Buna-N	-----

MODEL 208T/S

"A" - Size	PART #	A MAXIMUM WIDTH	B MAXIMUM	BALL DIAMETER	WGT. (Lbs.)
1" - NPT	2131T	6 27/32"	4 1/2"	1 1/2"	1.0
1" - Socket	2131S	6 25/32"	4 1/2"	1 1/2"	1.0
1 1/4" - NPT	2132T	5 21/32"	4 1/2"	1 1/2"	1.0
1 1/4" - Socket	2132S	5 5/8"	4 1/2"	1 1/2"	1.0
1 1/2" - NPT	2133T	8 13/64"	6 11/32"	2 1/2"	1.5
1 1/2" - Socket	2133S	8 13/64"	6 11/32"	2 1/2"	1.5
2" - NPT	2134T	7 1/16"	6 11/32"	2 1/2"	1.5
2" - Socket	2134S	7 1/16"	6 11/32"	2 1/2"	1.5

# MODELS 508, 508<sup>2</sup> & 508S6



TEMP MAX: 180°F (80°C)
 PRESSURE MAX: 150 PSI
 SIZES: 1" THRU 4"

Model 508S6 - All 316 Stainless steel body. Standard corrosion resistant phenolic "Sinking Ball", with resilient seat, and two bolt access cover.

TEMP MAX: 180°F (80°C)
 PRESSURE MAX: 150 PSI
 SIZES: 1 1/4", 1 1/2", 2"



MODEL 508

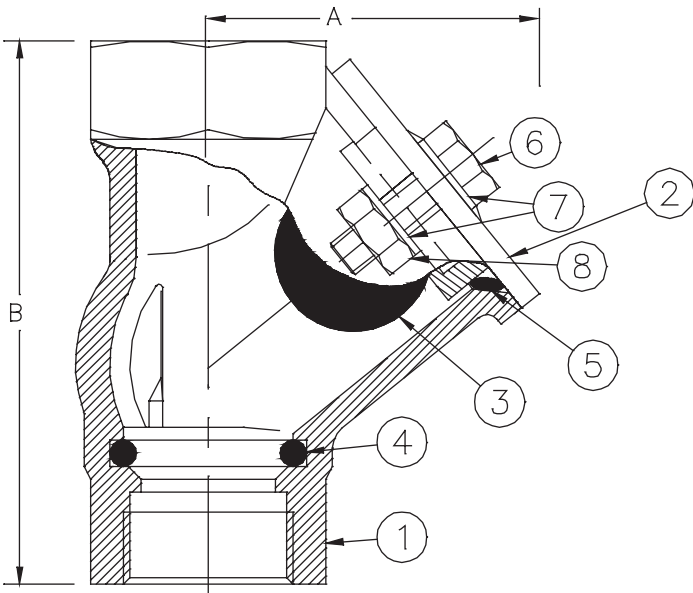


MODEL 508S6



MODEL 508<sup>2</sup>

## DIMENSIONS



ITEM	QTY.	DESCRIPTION		MATERIAL		ASTM#	
		508	508S6	508	508S6	508	508S6
1	1	Body (Epoxy Coated)	Body (Stainless Steel)	*Ductile Iron	Stainless Steel	A48	316
2	1	Cover (Epoxy Coated)	Cover (Stainless Steel)	*Ductile Iron	Stainless Steel	A48	316
3	1	**Ball		Phenolic		-----	
4	1	Seat Seal		Nitrile		-----	
5	1	Bonnet Seal		Nitrile		-----	
6	2	Bolt		Stainless Steel		304	316
7	4	Washer		Stainless Steel		304	316
8	2	Hex Nut		Stainless Steel		304	316

\*Cast Iron Body for 1" and 2 1/2" 508 Models

\*\*Optional Floating Ball Available add "FB" to Part Number

SIZE	PART #	"A"	"B"	WIDTH	WGT. (Lbs.)
1"	3232	4 1/2"	2 21/32"	3 15/16"	3.5
1 1/4"	3233	5 13/64"	3 7/64"	4 1/4"	4.5
1 1/2"	3234	5 45/64"	3 13/32"	4 51/64"	6
2"	3235	6 27/32"	4"	5 7/16"	8
2 1/2"	3236	7 7/8"	4 29/32"	6 1/4"	11.5
3"	2040	9 19/32"	5"	8 9/16"	30
4"	2045	10 9/16"	6"	10 19/32"	45

# AVAILABLE OPTIONS



## AUTO-VAC® VACUUM BREAKER

This 1" valve is available in stainless steel and PVC. All internal parts are engineered composite, with a stainless steel disc and resilient seat. Used to prevent water hammer in wastewater valves. Add "VR" to the end of part number.



## PROXIMITY SENSOR

Remotely monitor ball position (open or close) with this proximity sensor. Ideal for applications with a lead and lag pump configuration. Add "PRX" to the end of part number.

## BALL OPTIONS

**BUNA:** Seamless Buna Nitrile Rubber Balls Provide Excellent Sealing with our Ball Check Valves. For use in series 208 and 408. Available options are:

- ▶ **Sinking Ball:** Most commonly used with our ball check valves for submersible wastewater lift stations, sewage pumps and any application involving viscous liquids or slurries.
- ▶ **Optional Floating Ball:** Most commonly used with our ball check valves to prevent overflow of rising water in flood control applications to prevent backflow from drains. Also used as an air vent to purge air when filling tanks and pipes. (See operation below)

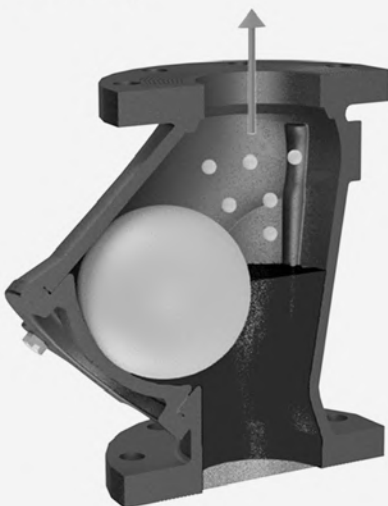
**PHENOLIC:** Offering excellent abrasion and impact resistance. Phenolic Balls also offer an excellent combination of chemical and heat resistance with superior tensile and compressive strength. For use in series 508.



## Operations of "The Floating Ball". Applications for Model 408FB and 508FB

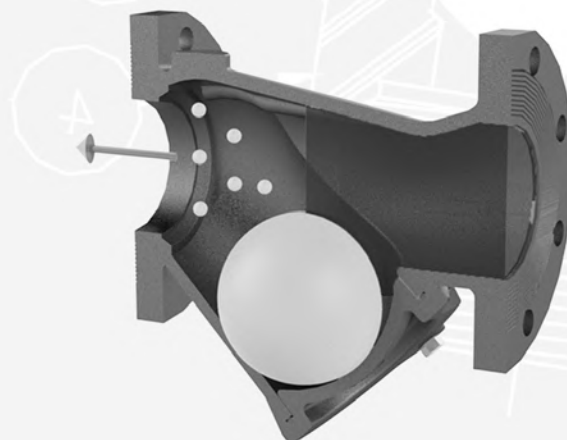
To avoid overflow of water rising and also allow air evacuation in filling of tanks or pipes (air-vent).

### VERTICAL MOUNTING Seat Up



### HORIZONTAL MOUNTING

Lodging of the ball below the axis.  
The arrow shows direction in which liquid is moving



# FLOMATIC® VALVES

Since 1933, Manufacturing  
**The Most Complete Line of Valve Products for Water and Wastewater**  
in The United States



FIND OUR COMPLETE VALVE OFFERING AT  
[WWW.FLOMATIC.COM](http://WWW.FLOMATIC.COM)

## FLOMATIC CORPORATION

15 Pruyn's Island Drive,  
Glens Falls, New York 12801  
Phone: (800) 833-2040  
Fax: (800) 314-3155

[WWW.FLOMATIC.COM](http://WWW.FLOMATIC.COM)

**Warranty, LIMITED ONE YEAR WARRANTY:** The Flomatic Corporation warrants that its Ball Check Valves in all sizes are free from defects in materials and workmanship. Flomatic will replace any valve covered by this warranty found to be defective within one year from time of sale. This warranty will be void if the product has been modified in any way by the purchaser, or is subject to unreasonable use.

