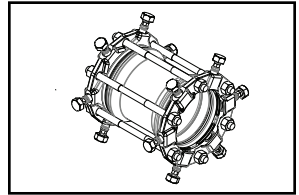


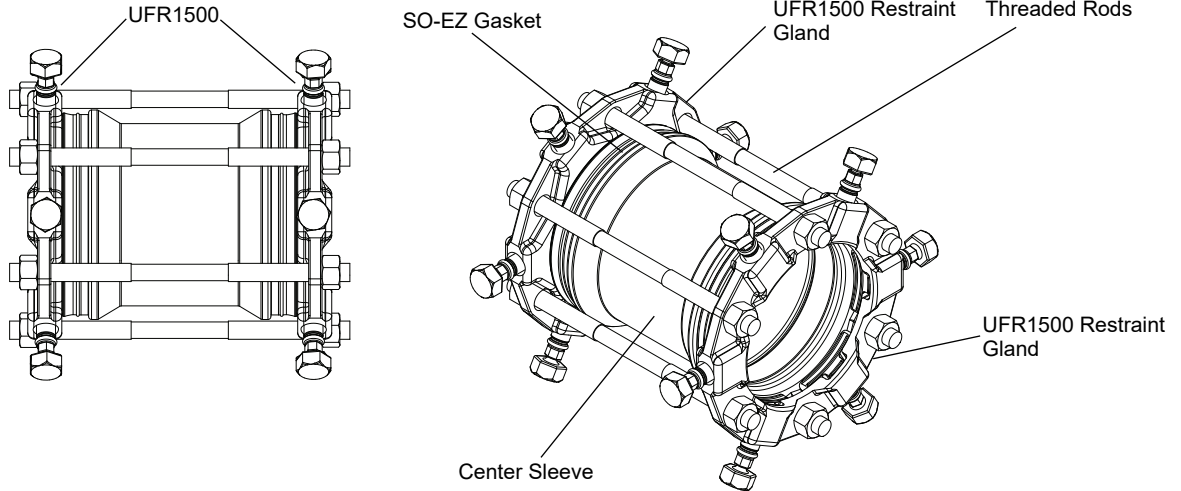
SUBMITTAL INFORMATION

Restrained Coupling - (RCPP-x-I style)



3" - 12" STYLE RCPP FOR JOINING PIPES OF THE SAME NOMINAL SIZE

FOR C900, IPS PVC, STEEL, C909, HDPE AND SDR35 PIPE



NOMINAL PIPE SIZE	PIPE O.D. RANGE (INCHES)	PIPE O.D. RANGE (MM)	SLEEVE LENGTH	DEGREES DEFLECTION	NO. OF RODS	SIZE OF RODS	APPROX. WT. LBS	PART NUMBER	✓ SUBMITTED ITEM(S)
3"	3.50	88.9	7-1/2"	5°	4	5/8" x 14"	39	RCPP-3-I	
4"	4.21 - 4.80	106.9 - 121.9	7-1/2"	5°	4	3/4" x 14"	41	RCPP-4-I	
6"	6.27 - 6.90	159.3 - 175.3	7-1/2"	5°	6	3/4" x 14"	59	RCPP-6-I	
8"	8.40 - 9.05	213.4 - 229.9	7-1/2"	5°	6	3/4" x 14"	72	RCPP-8-I	
10"	10.50 - 11.10	266.7 - 281.9	7-1/2"	5°	8	3/4" x 14"	94	RCPP-10-I	
12"	12.50 - 13.20	317.5 - 335.3	7-1/2"	5°	8	3/4" x 14"	106	RCPP-12-I	

FEATURES

- Center Sleeve: Ductile iron per ASTM A536; fusion bonded epoxy coating
- Restraint Glands: Ductile iron per ASTM A536; black Armorguard e-coat applied epoxy with red top coat for identification
- Double End Rods & Nuts: High strength, low alloy steel per ASTM A242 and AWWA C111
Optional: Blue fluorocarbon or stainless steel
- Gaskets: SO-EZ gaskets, pre-lubricated SBR rubber to accommodate listed ranges. Optional: NBR (Buna-N) rubber
- Stab fit, no disassembly required
- Can be used with any thickness class AWWA C900 and C909 PVC, ASTM D2241 IPS PVC, steel pipe or SDR35 sewer pipe. Approved for HDPE pipe when an insert stiffener is used
- "Auto-Tork" actuating screws with heads specially designed to twist off at the correct installation torque
- Rated at the same pressure rating on which it is installed with a 2:1 safety factor
- Complies with AWWA C219 and NSF 61 approved

The Ford Meter Box Company considers the information in this submittal form to be correct at the time of publication. Item and option availability, including specifications, are subject to change without notice. Please verify that your product information is current.



The Ford Meter Box Company, Inc.

P.O. Box 443, Wabash, Indiana U.S.A. 46992-0443

Phone: 260-563-3171 / Fax: 800-826-3487

Overseas Fax: 260-563-0167

www.fordmeterbox.com

12/11/17

Submitted By: