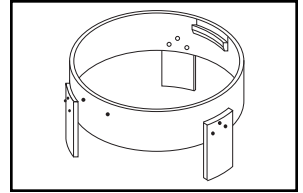
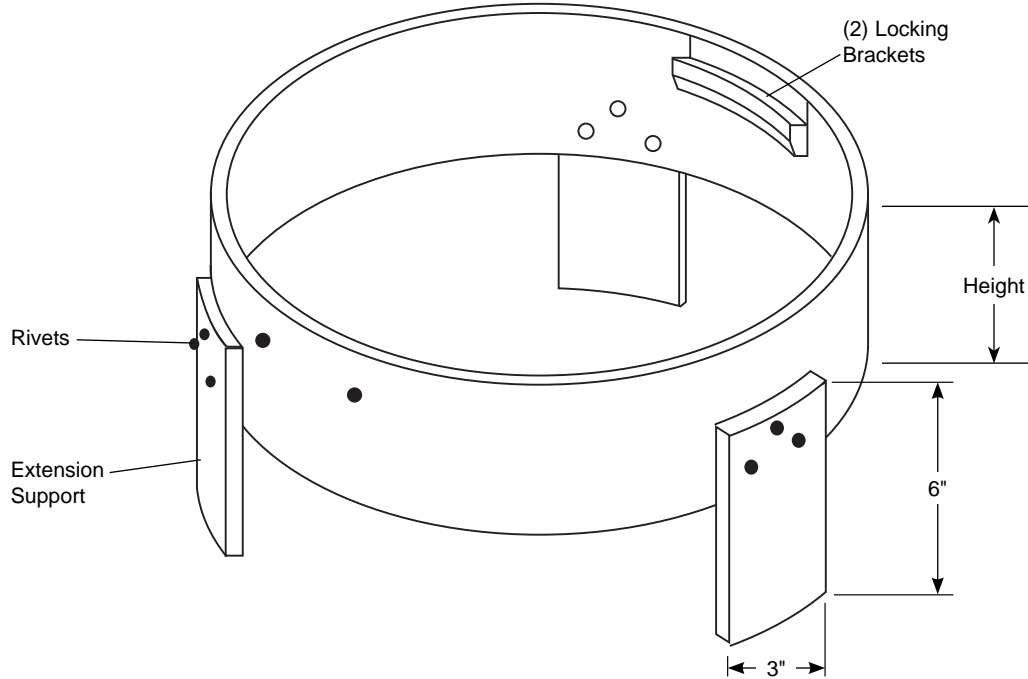


SUBMITTAL INFORMATION

Plastic Pitsetter Extension Rings - (CPS-EXTxx-x style)



PVC EXTENSION RING FOR COIL PITSETTER



TILE DIAMETER	*HEIGHT	CATALOG NUMBER	✓ SUBMITTED ITEM(S)
15"	2"	CPS-EXT15-2	
	4"	CPS-EXT15-4	
	6"	CPS-EXT15-6	
	8"	CPS-EXT15-8	
	10"	CPS-EXT15-10	
	12"	CPS-EXT15-12	
18"	2"	CPS-EXT18-2	
	4"	CPS-EXT18-4	
	6"	CPS-EXT18-6	
	8"	CPS-EXT18-8	
	10"	CPS-EXT18-10	
	12"	CPS-EXT18-12	

FEATURES

- Permits grade adjustments in various heights to existing coil pitsetters
- PVC tile per ASTM D2241
- Three extension supports are securely riveted to the extension tile
- Two locking brackets for flat lid are furnished

The Ford Meter Box Company considers the information in this submittal form to be correct at the time of publication. Item and option availability, including specifications, are subject to change without notice. Please verify that your product information is current.



The Ford Meter Box Company, Inc.

P.O. Box 443, Wabash, Indiana U.S.A. 46992-0443

Phone: 260-563-3171 / Fax: 800-826-3487

Overseas Fax: 260-563-0167

<http://www.fordmeterbox.com>

11/16/09

Submitted By: