

KNOCKOUT CLOSET FLANGE

883-884 Series

SPECIFICATION:

Installed closet flanges shall be Sioux Chief 883 or 884 Series TKO total knockout closet flange with patented, one piece knockout cap. Closet flange shall have sufficient bolt holes for securing to floor and slots for fastening closet bolts to flange ring. Knockout cap must come out in one piece and shall be sized larger than drain opening, preventing it from falling down drain line. Closet flange shall hold a standard head test and be UPC listed.

Item Number
Submitted: _____

MATERIALS:

FLANGE BODY: PVC, ABS

FLANGE RING: PVC, ABS,

18 gauge 400 Series Stainless Steel

CONNECTION TYPE:

Flush-fit, Solvent welds over 3" or inside 4" Sch. 40 DWV pipe (tapered Hub O.D.)
Conforms to ASTM D2665/D2661

Note: Inside 4" is not a recognized connection



TKO™
884-PTM
& 883-AT
shown

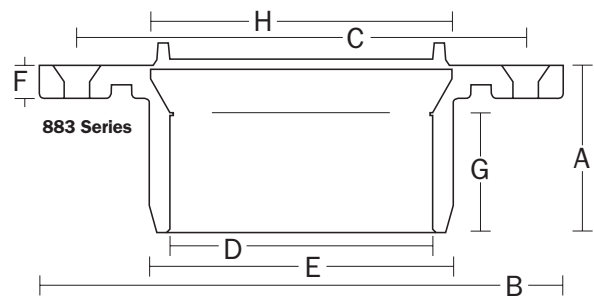
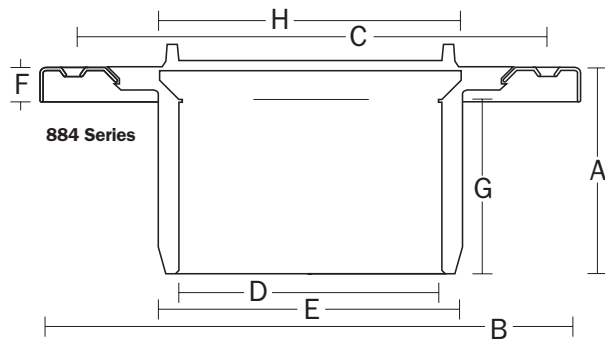
HOLE/SLOT CONFIGURATION:

883 SERIES: 8 screw holes for securing to floor.
Two long slots & two short slots for fastening closet bolts to ring

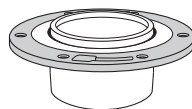
884 SERIES: 6 screw holes for securing to floor.
Two long slots for fastening closet bolts to ring

DIMENSIONS:

	883 Series	884 Series
Overall Height	A: 2.20"	2.75"
Overall Diameter	B: 6.94"	7.13"
Screw Centers	C: 6.00" ± 0.01"	6.00" ± 0.01"
Hub I.D. (Base)	D: 3.49"	3.49"
Hub O.D.	E: 4.03"	4.03"
Flange Thickness	F: 0.44"	0.33"
Hub Depth	G: 1.53"	2.4375"
Knockout Dia.	H: 4.00"	4.00"

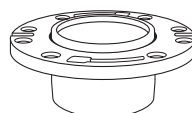


Select Item Number Below



Stainless Steel Ring Series

- 884-PTM** = 3" x 4" PVC stainless steel ring knockout closet flange - flush fit
- 884-ATM** = 3" x 4" ABS stainless steel ring knockout closet flange - flush fit



Standard Ring Series

- 883-PT** = 3" x 4" PVC standard ring knockout closet flange - flush fit
- 883-AT** = 3" x 4" ABS standard ring knockout closet flange - flush fit

KNOCKOUT CLOSET FLANGE

883-884 Series

SPECIFICATION:

Installed closet flanges shall be Sioux Chief 883 or 884 Series TKO total knockout closet flange with patented, one piece knockout cap. Closet flange shall have sufficient bolt holes for securing to floor and slots for fastening closet bolts to flange ring. Knockout cap must come out in one piece and shall be sized larger than drain opening, preventing it from falling down drain line. Closet flange shall hold a standard head test and be UPC listed.

Item Number
Submitted: _____

MATERIALS:

FLANGE BODY: PVC, ABS

FLANGE RING: PVC, ABS,

18 gauge 400 Series Stainless Steel

CONNECTION TYPE:

Flush-fit, Solvent welds over 3" or inside 4" Sch. 40 DWV pipe (tapered Hub O.D.)
Conforms to ASTM D2665/D2661

Note: Inside 4" is not a recognized connection



TKO™
884-PTM
& 883-AT
shown

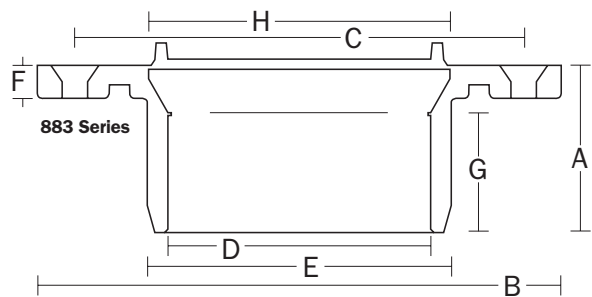
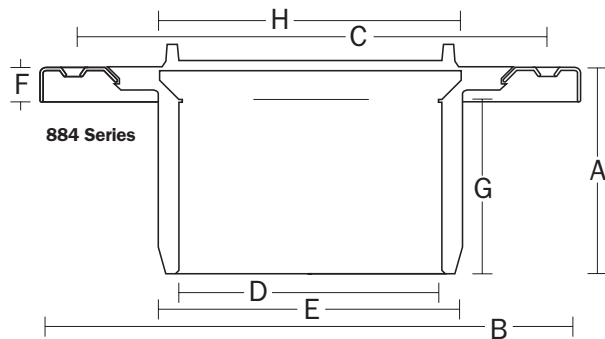
HOLE/SLOT CONFIGURATION:

883 SERIES: 8 screw holes for securing to floor.
Two long slots & two short slots for fastening closet bolts to ring

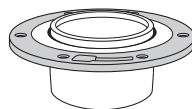
884 SERIES: 6 screw holes for securing to floor.
Two long slots for fastening closet bolts to ring

DIMENSIONS:

	883 Series	884 Series
Overall Height	A: 2.20"	2.75"
Overall Diameter	B: 6.94"	7.13"
Screw Centers	C: 6.00" ± 0.01"	6.00" ± 0.01"
Hub I.D. (Base)	D: 3.49"	3.49"
Hub O.D.	E: 4.03"	4.03"
Flange Thickness	F: 0.44"	0.33"
Hub Depth	G: 1.53"	2.4375"
Knockout Dia.	H: 4.00"	4.00"

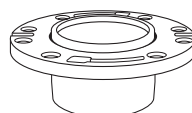


Select Item Number Below



Stainless Steel Ring Series

- 884-PTM** = 3" x 4" PVC stainless steel ring knockout closet flange - flush fit
- 884-ATM** = 3" x 4" ABS stainless steel ring knockout closet flange - flush fit



Standard Ring Series

- 883-PT** = 3" x 4" PVC standard ring knockout closet flange - flush fit
- 883-AT** = 3" x 4" ABS standard ring knockout closet flange - flush fit