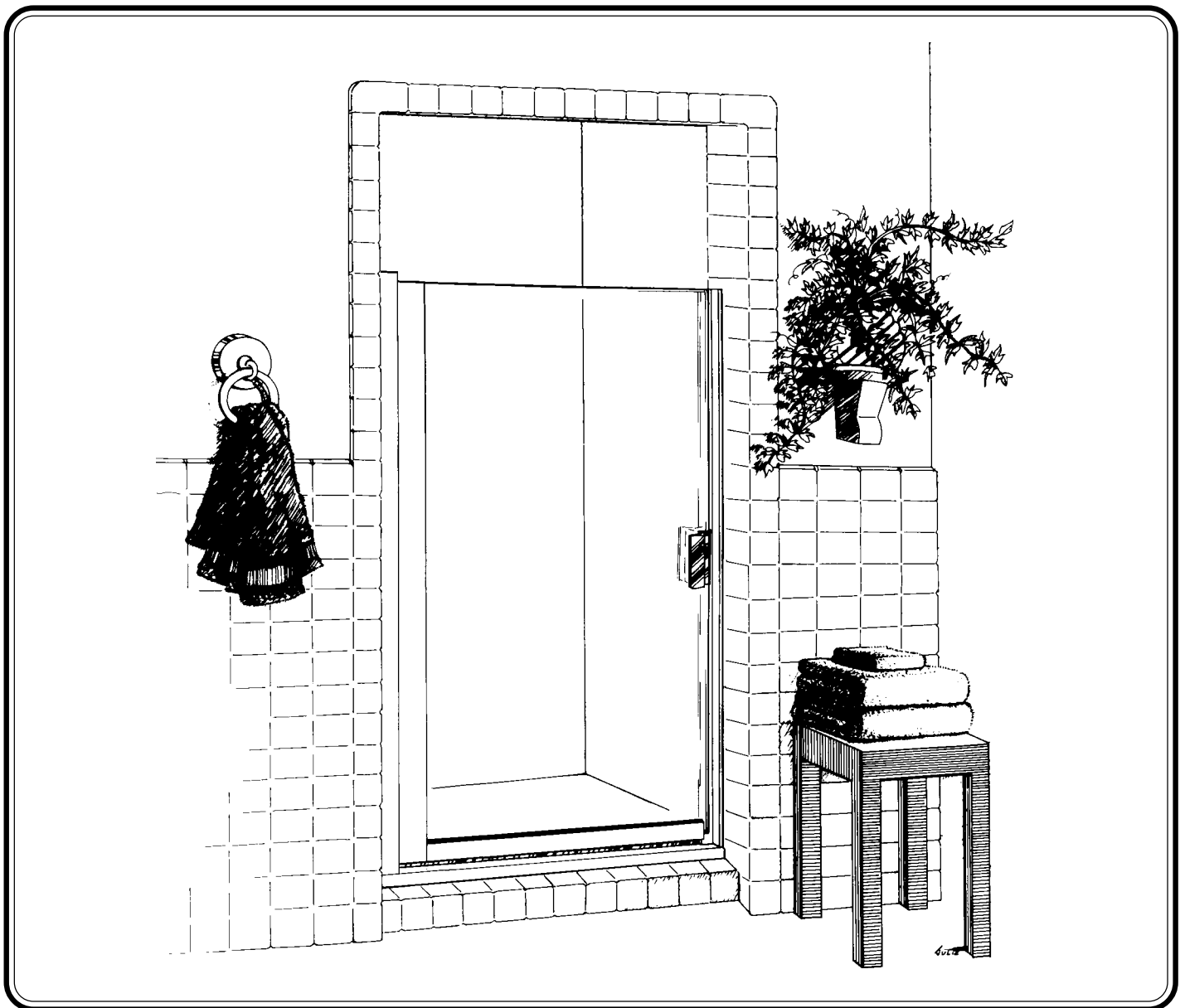


Tel: 800-643-1514

www.alumaxshowerdoor.com

300c SERIES FRAMELESS SHOWER DOOR



!WARNINGS!

Contact your dealer for all warranty repair(s). This includes loose screws, broken parts, missing parts, glass replacement or any other product concern. Additionally, if the door does not open or close properly, contact your dealer to inspect the door and to make adjustments if required. Do NOT try to make any repairs or adjustments to the unit.

INSTALLATION WARNINGS

- a) Alumax Bath Enclosures by Sapa are intended to be installed by an experienced installer. If you need assistance with locating an experienced installer, contact us at 1.800.643.1514 or go to our website www.alumaxshowerdoor.com to access our "dealer locator". If a dealer is not listed in your area, call or send us an e-mail and we will find one for you.
- b) The enclosure must be properly installed per our published installation instructions. If NOT, the unit will not operate as designed which will cause hardware failure, glass breakage, leaking, other unidentified issues, and may cause nullification of warranty.
- c) Unpack your unit carefully and inspect for freight damage. Lay out and identify all parts using the instruction sheets as a reference. Before discarding the carton, check for small hardware bags that tend to fall into the bottom of the box. If any parts are damaged or missing, refer to the descriptions noted in the instructions when contacting your dealer for replacements.
- d) Before beginning installation, check the tub rim for level and both walls for plumb. If either is off more than 1/4" to 3/8", you should use a tapered filler which can be used to level the tub track or plumb the wall jambs.
- e) Wear safety glasses when drilling or cutting to avoid injury to the eyes.
- f) When drilling holes in ceramic tile or marble, use a center punch and hammer to carefully break the surface glaze so the drill can start without skidding. A skidding drill can cause damage to the surface and can be dangerous (risk of personal injury).
- g) Use caution and proper technique whenever using tools to avoid damage to property and/or personal injury.

GENERAL USAGE AND HANDLING WARNINGS

- a) Shower doors are not leak-proof. They are designed to direct water to the interior of the tub or shower under normal conditions. Excessive water pressure or directing the shower head directly at the door can result in leaks.
- b) Do not hang on towel bars or handles or use them to support your weight getting in and out of the bathtub or shower. Towel bars and handles are not intended to be used as grab bars for assistance getting in and out of the shower or bathtub. They are not intended to support a person's weight and could break.
- c) Do not use excessive force when opening and closing the enclosure. Excessive force can lead to glass breakage or other damage to the enclosure. Make sure wall jamb bumpers are securely fastened in place per the installation instructions.

GLASS USAGE AND HANDLING WARNINGS

- a) **TEMPERED GLASS CANNOT BE CUT.** Attempting to cut tempered glass will result in the glass breaking or shattering.
- b) **USE CAUTION WHEN HANDLING GLASS PANELS.** Safety tempered glass is very resistant to breakage, but it can still break if unequal pressure is placed on it during installation (or if cutting of the glass is attempted). In addition, the sharp corners of the panels can damage tile and floor coverings or cause injury.
- c) **PROTECT THE EDGES OF THE GLASS.** Never let the edge of the glass come in direct contact with concrete, tile, marble or other hard surfaces that may nick, or damage the glass edge in any way as this damage may cause a delayed blow. Always check the edge of the glass for nicks, slivers, rough areas, or clam shelling. Do not install the glass if these conditions are present.
- d) Alumax Bath Enclosures by Sapa is not liable for glass breakage of any kind.

CARE AND CLEANING WARNINGS

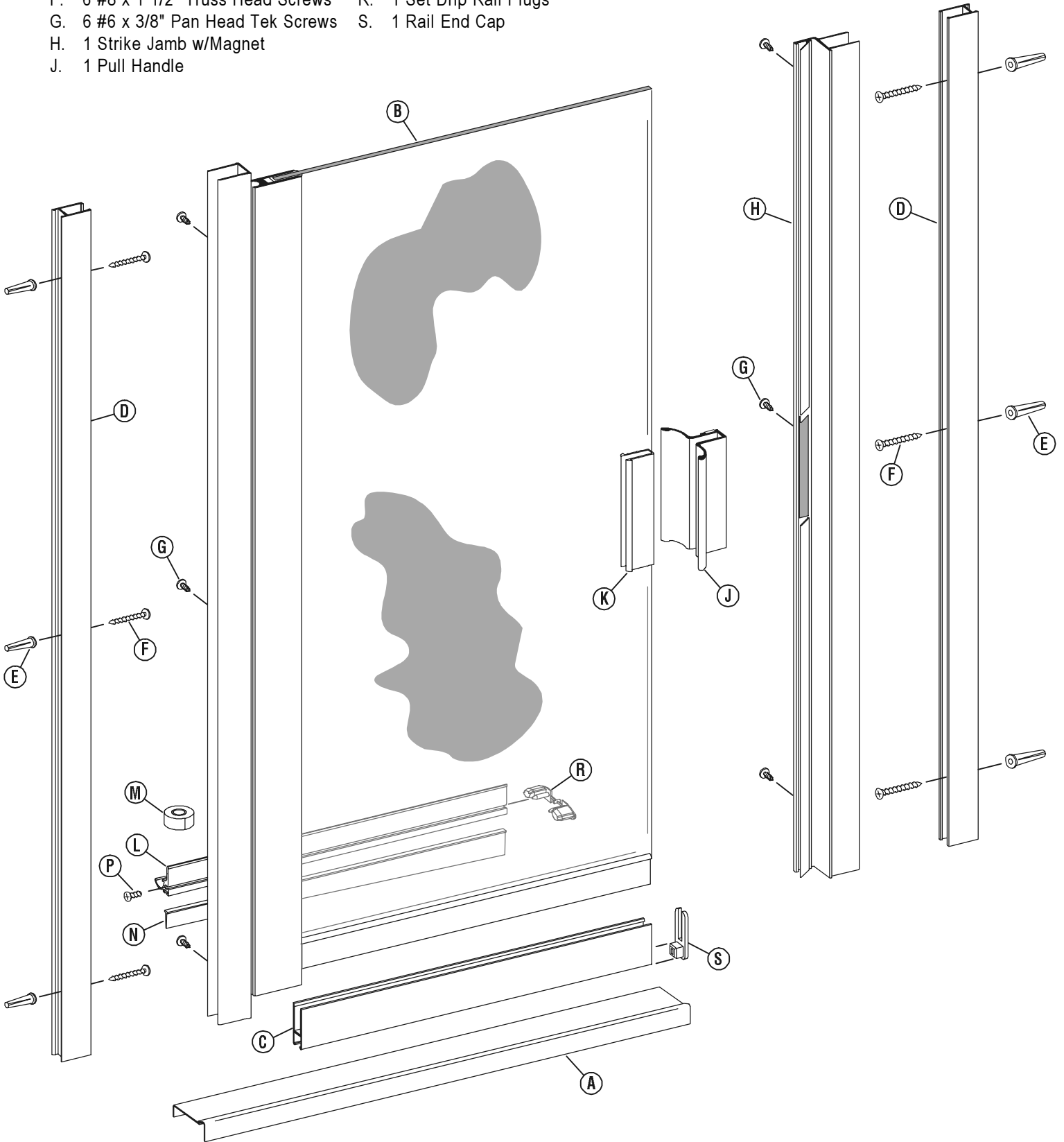
- a) The simplest and preferred method of cleaning your unit is by washing it with clean water and drying with a soft cloth.
- b) If soil is still present after drying, a non-abrasive cleanser with a pH of seven to eight may be used. Comet Bathroom Cleaner® has been tested and is recommended by the Bath Enclosure Manufacturers Association (BEMA).
- c) Contact your dealer for more information about glass coatings that will help keep the glass clean.
- d) **DO NOT USE SCOURING PADS, SHARP INSTRUMENTS, BLEACH OR ACID-BASED CLEANSERS TO CLEAN THE UNIT AS THEY MAY DAMAGE THE UNIT.**

LIMITED WARRANTY

- a) Alumax Bath Enclosures by Sapa provides a LIMITED WARRANTY on material and workmanship only. Primary glass and component suppliers must be included in all warranty claims.
- b) Alumax Bath Enclosures by Sapa is not responsible for glass breakage.
- c) Products must be handled, installed and maintained per our published Warning and Installation instructions or the warranty may be nullified.
- d) The Limited Warranty applies to the original owner only, and is not transferable.
- e) Please visit our website www.alumaxshowerdoor.com or call us at 1.800.643.1514 to get copies of our published warranty, installation and warranty policies.

300c PARTS LIST

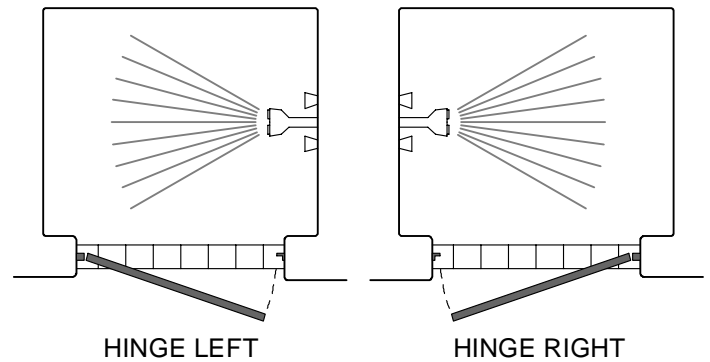
- | | |
|------------------------------------|--------------------------------|
| A. 1 Shower Curb | K. 1 Handle Vinyl |
| B. 1 Glazed Door Panel Assembly | L. 1 Drip Rail |
| C. 1 Bottom Rail | M. 1 Roll of Double-Stick Tape |
| D. 2 Wall Jamb | N. 1 Tapered Drip Vinyl |
| E. 6 Plastic Wall Anchors | P. 1 #6 x 3/8" Pan Head Screws |
| F. 6 #8 x 1 1/2" Truss Head Screws | R. 1 Set Drip Rail Plugs |
| G. 6 #6 x 3/8" Pan Head Tek Screws | S. 1 Rail End Cap |
| H. 1 Strike Jamb w/Magnet | |
| J. 1 Pull Handle | |



1

The Alumax 300c Continuous Hinge Shower Door is completely reversible and may be installed hinge-left or hinge-right. Refer to the illustration to determine the correct position for your installation. For maximum waterproofing, the hinge jamb should always be opposite the shower head. These instructions depict a hinge-left installation.

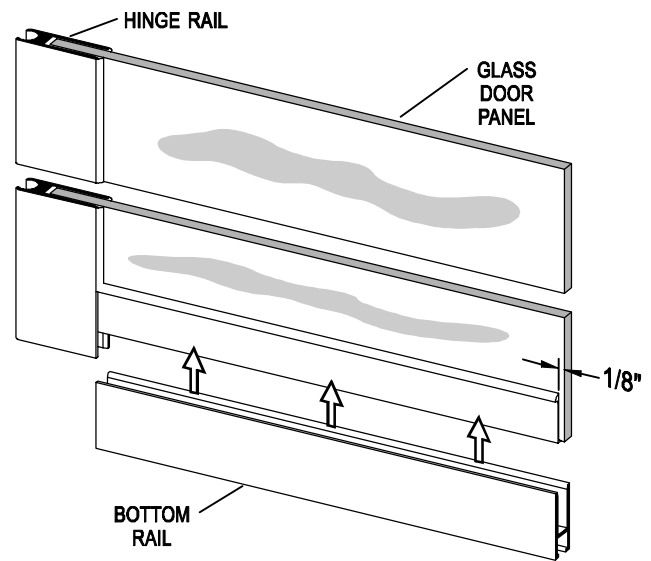
CAUTION: For safety, the door must always open outward.



2

NOTE: Obscure glass doors should be installed with the rough surface of the glass to the exterior of the unit. Silk Screened or etched glass doors should be installed with the patterned surface to the inside.

Determine which end of the door will be the bottom. Using a mallet or a hammer and wood block (never a hammer alone), carefully drive the bottom rail over the bottom edge of the glass and vinyl, snug to the factory installed vertical rail. Bottom rail should be set back from the strike edge of the door. Trim the excess vinyl even with the ends of the rails.

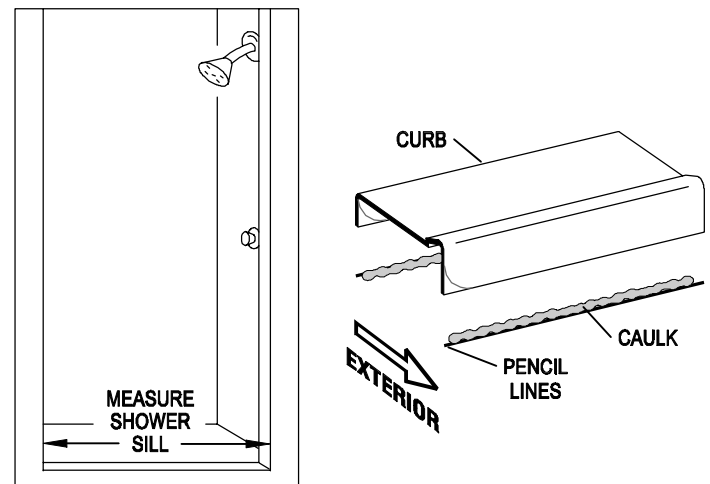


3

NOTE: The 300c unit may be installed without using the sloped curb [A] provided. Its use is definitely recommended for positive water control on shower sills with little or no slope.

Measure the wall-to-wall opening at the shower sill and cut the curb to the exact length. File the ends of curb as necessary to fit the corner contours of the enclosure. Place the curb on the shower sill with the raised portion to the exterior of the enclosure. Make sure the curb is centered on the sill and lightly mark its position on the sill with a pencil.

Remove the curb from the sill and run two beads of caulk inside the penciled marks on the shower sill. Place the curb in the exact position marked and seat it firmly in the caulking.

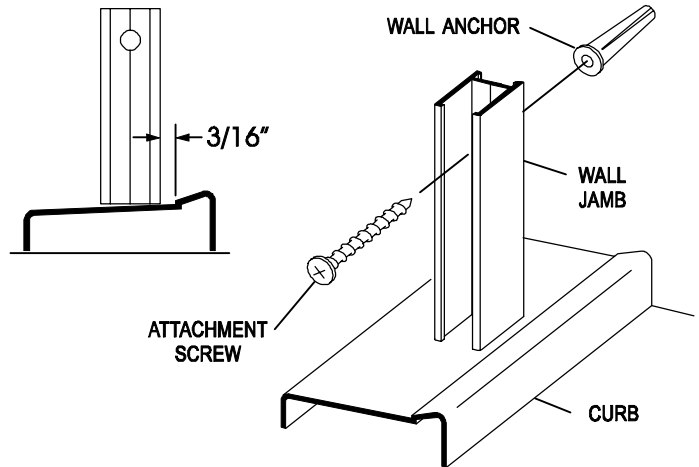


4 Place one of the wall jambs [D] against the wall with the bottom end 3/16" from the raised side of the curb [A]. Plumb the jamb and mark the hole locations on the wall. Repeat for the other wall jamb. Remove all parts and drill the walls for mounting hardware.

For tile or marble walls, drill six 3/16" diameter holes and insert the plastic wall anchors [E].

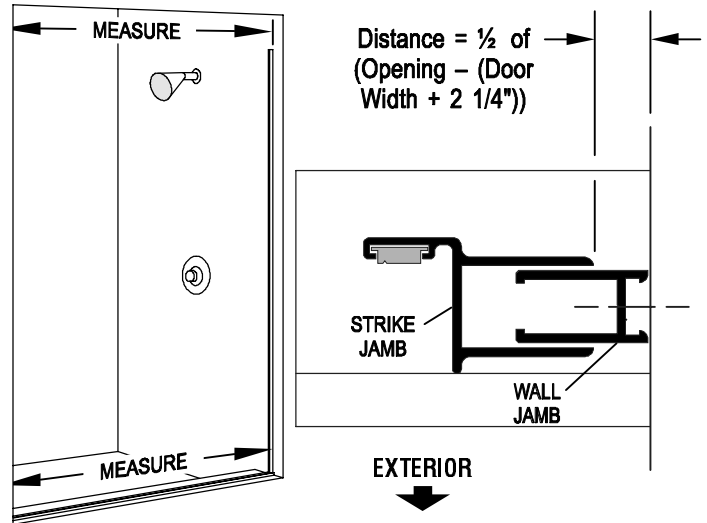
Attachments to fiberglass or acrylic units can be made in two ways. If a reinforcement is built into the wall of unit, drill six 1/8" holes and install mounting screws directly into the reinforcement. If walls are not reinforced, drill 3/16" holes and install plastic wall anchors or toggle bolts (toggle bolts not supplied by Alumax).

Replace each wall jamb and attach them to the wall with three #8 x 1 1/2" truss head screws [K].

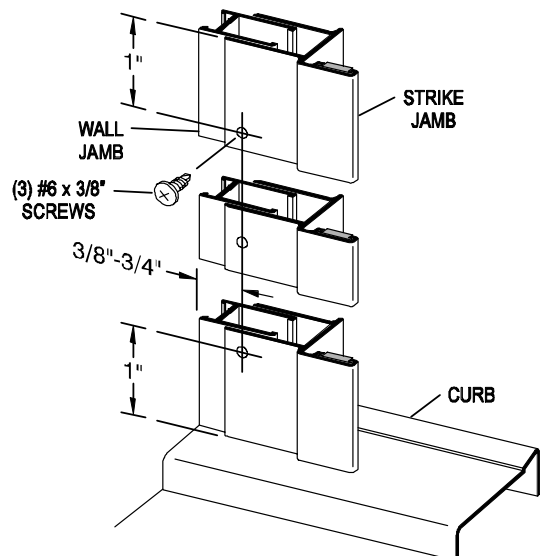


5 Slide the strike jamb [H] over one of the mounted wall jambs [D] with the magnet facing outward.

Measure the wall-to-wall opening at the top and at the bottom of the wall jambs and note the smaller dimension. Measure the entire width of the door panel [B] from the outside edge of the side rail to the edge of the glass on the strike side. Add 2 1/4" to the door width, subtract the total from the minimum wall-to-wall opening and divide the result by two. This should be the distance from the wall to the strike jamb at the closest point. Plumb the strike jamb vertically and mark its location on the wall jamb with a pencil.

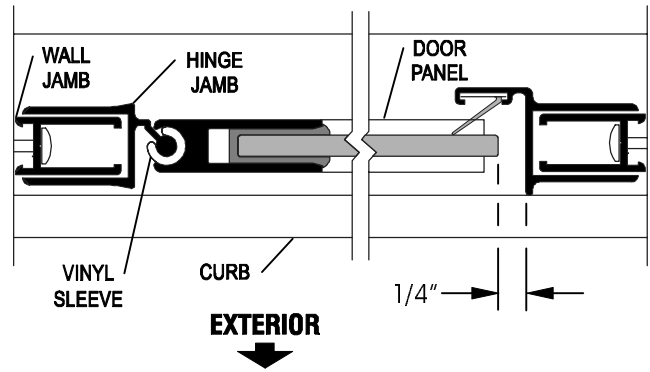


6 Inside the shower enclosure, drill two 1/8" holes thru the strike jamb [H] and into the wall jamb [D] 3/8" to 3/4" from the wall and approximately 1" vertically from each end of the strike jamb. Drill a third hole centered between the first two, then enlarge the three outer holes with a 3/16" drill for clearance on the self-tapping screws. Attach the strike jamb permanently with three #6 x 3/8" pan head screws [G].

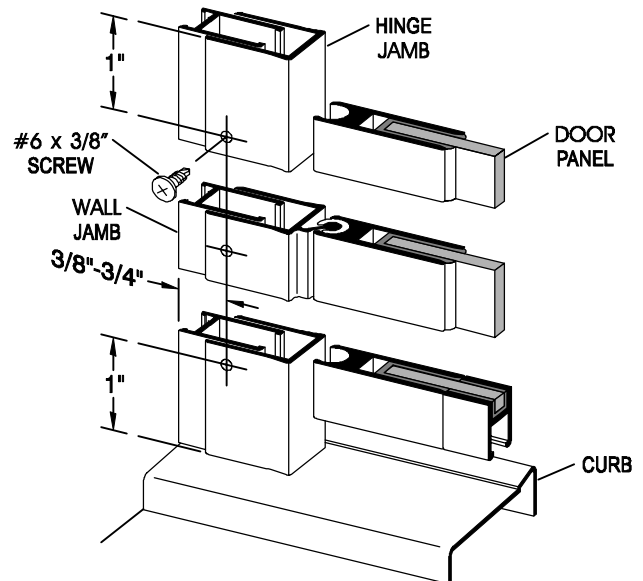


7 Slide the hinge jamb of the door panel assembly [B] over the mounted wall jamb [D] so the door will open outward.

Adjust the door panel assembly so there is 1/4" clearance between the strike jamb and the strike edge of the glass door panel in the closed position. Mark the location of the hinge jamb on the wall jamb with a pencil.



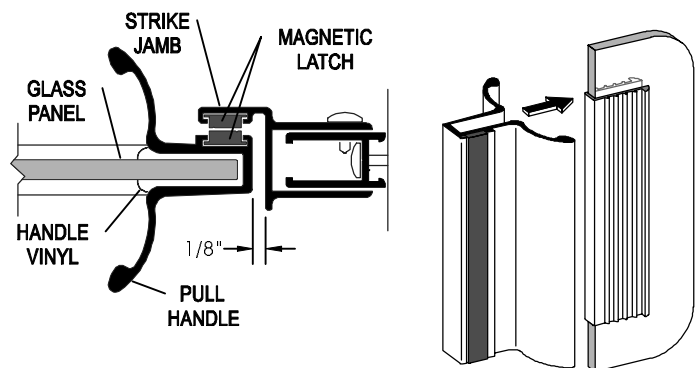
8 Inside the shower enclosure, drill two 1/8" holes thru the hinge jamb and into the wall jamb [D] 3/8" to 3/4" from the wall and approximately 1" vertically from each end of the hinge jamb. Drill a third hole centered between the first two, then enlarge the three outer holes with a 3/16" drill for clearance on the self-tapping screws. Attach the door panel assembly permanently with three #6 x 3/8" pan head screws [G].



9 Slide the door pull handle [J] with magnet onto the strike edge of the door panel. Close the door and slide the handle up or down until the two magnetic strips are aligned. Use a pencil or masking tape to mark the location of the handle on the door.

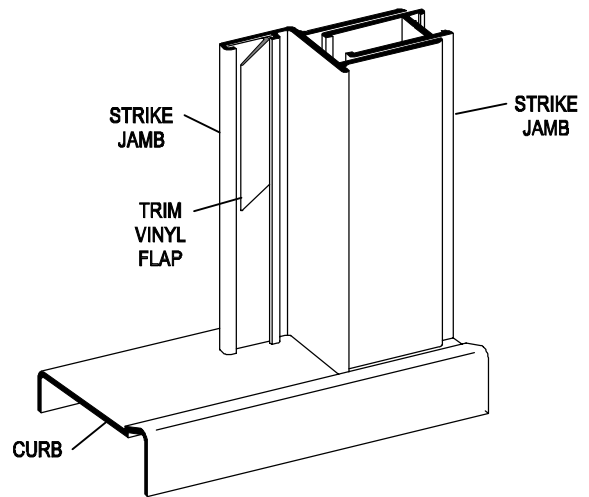
Slip the door handle vinyl [K] onto the door between the marks and carefully drive the door handle onto the door panel. Spraying glass cleaner or water onto the vinyl will make assembly easier.

Close the door and check for proper operation of the magnetic catch.



10

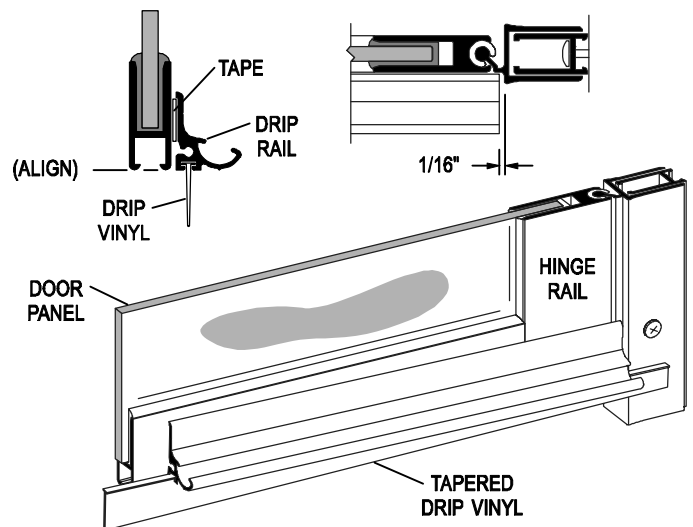
Trim the flap on the clear vinyl strike jamb seal to clear the bottom door rail.



11

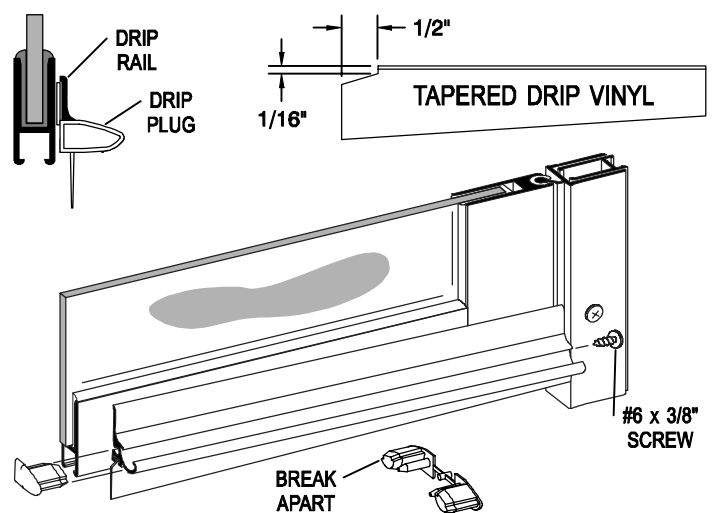
Cut the drip rail [L] to the length of the bottom rail plus 1 1/4". Clean the inside edge of the bottom door rail and the flat side of the drip rail thoroughly to ensure proper adhesion of the double stick tape [M]. Unroll the tape and carefully attach it to the back of the drip rail (do not peel the tape backing yet). Insert the tapered drip vinyl [N] into the drip rail. Position the drip rail flush with the bottom of the door panel, 1/16" from the hinge jamb, then raise the strike side until the bottom edge of the drip vinyl is parallel to the curb [A]. Mark the location of each end of the drip rail with a pencil.

NOTE: Cleaners with alcohol content can dissolve the adhesive that attaches the drip rail. To prevent this possibility, place a small bead of clear sealant at the top of the drip rail where it is attached to the bottom rail.



12

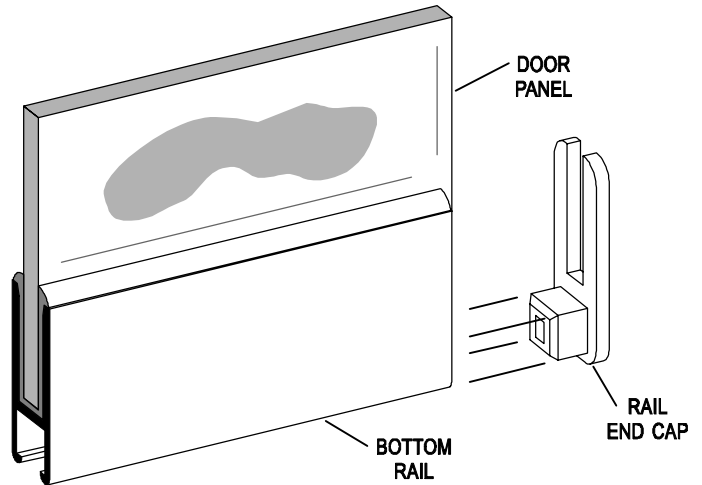
Adjust the drip vinyl [N] by sliding it left or right until it just touches the curb. Trim the vinyl flush with the hinge side and notch 1/2" longer than the drip rail [L] as shown on the strike side. Slide the vinyl into the drip rail and secure it on the hinge side of the drip rail with one #6 x 3/8" truss head screw [P]. The drip plug [R] is supplied with a left and right hand plug together. Break the two pieces apart and insert the appropriate plug into the high (strike) side of the drip rail. Discard the unused drip plug. Peel off the tape backing [M] and carefully press the drip rail to the door in the marked position.



13

Press the rail end cap [S] into the strike end of the bottom rail [C].

NOTE: Do not use a metal hammer to install the end cap.

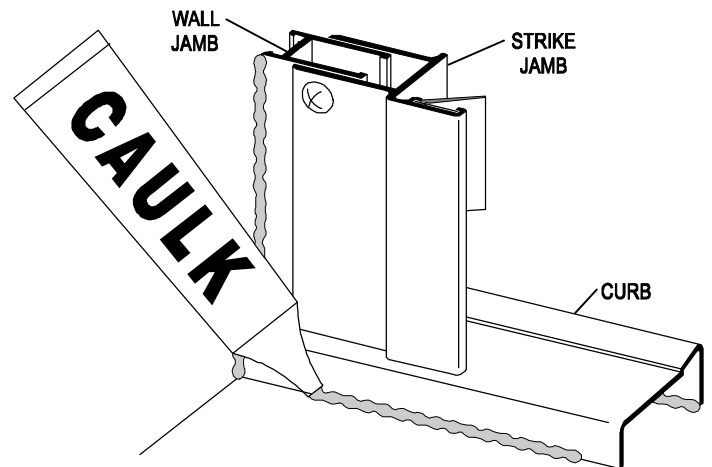


14

Neatly caulk the inside perimeter of the shower curb and the hinge and strike jambs.

NOTE: Improper caulking will result in leaks.

NOTE: The caulking should be allowed to cure for twenty-four hours before using your new shower enclosure.



The Care and Cleaning of your new Alumax Bath Enclosure. The simplest and preferred method of cleaning your unit is by washing it with clean water and drying with a soft cloth. If soil is still present after drying, a non-abrasive cleanser with a pH of seven to eight may be used. Comet Bathroom Cleaner[®] has been tested and is recommended by the Bath Enclosure Manufacturers Association (BEMA). Do not use scouring pads, sharp instruments, or acid-based cleansers to clean the unit.

Thank you for choosing an Alumax Bath Enclosure. Please take a moment to complete and return the enclosed Customer Response Card. The information you provide helps us improve the quality of our products and provide better service to you, our customer.