



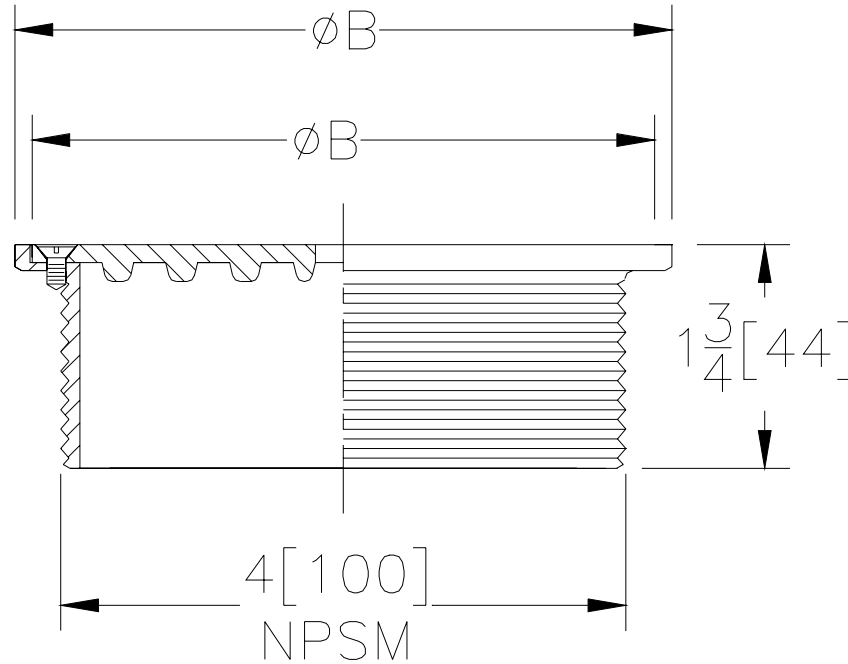
ZXN-400-A
"TYPE A" HEAVY-DUTY NICKEL BRONZE
ROUND STRAINER

SPECIFICATION SHEET

TAG _____



Dimensional Data (inches and [mm]) are Subject to Manufacturing Tolerances and Change Without Notice



Strainer Designation	B Top Size Inches / [mm]	Approx. Wt. Lbs. / [kg]	Strainer Open Area Sq. In. / [sq cm]
-A5	5 [127]	2 [1]	7 [45]
-A6	6 [152]	3 [1]	11 [71]

ENGINEERING SPECIFICATION: ZURN ZXN-400 "Type A" heavy-duty round adjustable polished nickel bronze strainer top.

OPTIONS (Check/specify appropriate options)

SUFFIXES

- ____ -VP Vandal-Proof Secured Top
- ____ -Y Sediment Bucket

REV.	DATE: 10/15/99	C.N. NO. 83330
DWG. NO. 63618		PRODUCT NO. ZXN-400-A

*REGULARLY FURNISHED UNLESS OTHERWISE SPECIFIED