



## **FEATURES**

Fiberglass Basins - heavy duty construction, standard sizes to 72" Dia. and 96" Deep, custom basins to 20' deep available by quote request.

### **Covers**

Pipe Grommets - Use for Inlet or Discharge Connections

Discharge Hubs - Cast iron caulking type and NPT Threaded

Float Switch Brackets - several models to choose from

Junction Boxes - boxes and cord grips

Cord Grips - designed to be installed in fiberglass covers

Cord Seals - seal around electric cord entry holes

# Basin and Package Accessories

### TABLE OF CONTENTS

Basins .....	3
Covers .....	4-9
Connections .....	10-11
Float Brackets .....	12
Hoist .....	13
Trash Basket .....	14
Junction Boxes .....	15
Chain .....	16

### FIBERGLASS BASIN

Order No.	Options ①	Dimensional Data			Approx.		Weight (lbs.)			
		A	B	C	Total Gallons	Gallons Per Inch	Fiberglass Standard Basin	with "F" suffix	with "S" suffix	
A7-2436		24	36	26.5	65	1.81	40	60	107	
A7-2448	F or S	24	48		84	1.75	50	70	117	
A7-2460		24	60		102	1.70	59	79	126	
A7-2472F		24	72		118	1.64	NA	89	136	
A7-2484F	S	24	84		165	1.96	NA	116	163	
A7-2496F		24	96		188	1.96	NA	125	172	
A7-3036		30	36	32.5	110	3.00	46	80	148	
A7-3048	F or S	30	48		137	2.85	59	92	160	
A7-3060		30	60		169	2.82	90	104	172	
A7-3072F		30	72		199	2.76	NA	147	214	
A7-3084F	S	30	84		257	3.05	NA	162	230	
A7-3096F		30	96		294	3.06	NA	177	245	
A7-3636		36	36	38.5	159	4.41	64	103	195	
A7-3648	F or S	36	48		200	4.17	78	118	210	
A7-3660		36	60		246	4.10	93	132	224	
A7-3672F		36	72		291	4.04	NA	207	299	
A7-3684F	S	36	84		370	4.40	NA	226	318	
A7-3696F		36	96		423	4.40	NA	244	336	
A7-4248		42	48	44.5	274	5.71	116	167	288	
A7-4260	F or S	42	60		339	5.65	139	190	310	
A7-4272F		42	72		402	5.58	NA	245	365	
A7-4284F	S	42	84		504	6.00	NA	272	393	
A7-4296F		42	96		576	6.00	NA	300	420	
A7-4848		48	48		51	361	7.52	136	200	353
A7-4860	F or S	48	60	446		7.43	161	226	378	
A7-4872F		48	72	529		7.34	NA	325	477	
A7-4884F		48	84	658		7.83	NA	364	516	
A7-4896F		48	96	752		7.83	NA	402	554	
A7-6078F		60	78	63		955	12.24	NA	580	807
A7-6084F	S	60	84		1028	12.23	NA	608	836	
A7-6096F		60	96		1175	12.23	NA	666	893	
A7-7278F		72	78		75	1375	17.62	NA	826	1143
A7-7284F		72	84			1481	17.63	NA	865	1183
A7-7296F		72	96			1692	17.63	NA	945	1262

① An "F" suffix = fiberglass and "S" = steel anti-floatation collar. Basins are not predrilled for inlet and discharge hubs. Dimensions and weights are based on Topp Industries, Inc. specifications.

**Note:** Fiberglass and steel anti-floatation collars are molded as an integral part of the basin (built-in) and not something that can be added in the field. See price book.

### STANDARD FEATURES

- Heavy duty fiberglass construction with 3/16" wall thickness (minimum).
- Designed to withstand hydrostatic pressure of 120 lbs. per cu. ft.
- Maximum fluid temperature: 140° F (60° C).
- Standard sizes:
  - 24" - 72" diameter.
  - 36" - 96" deep.
- Larger sizes also available.
- Fiberglass anti-floatation collars are standard on models with an "F" suffix on the order number.
- Basins are not factory drilled for inlet or discharge connections.

### OPTIONS

- Optional sizes with depths to 20' are available: contact Customer Service for price quote and availability.
- Inlet hubs and inlet grommets - order separately, see chart on this bulletin.
- Discharge hubs - order separately, see chart on this bulletin.
- Mounting Studs Optional Suffix - for slide rails available as custom. Must be ordered with basin.  
SMS = Simplex Studs  
DMS = Duplex Studs
- Filet Bottom Optional Suffix = WB  
Filet bottom prevents solids from building up on sides of basin.

## Wastewater

### SOLID FIBERGLASS COVER

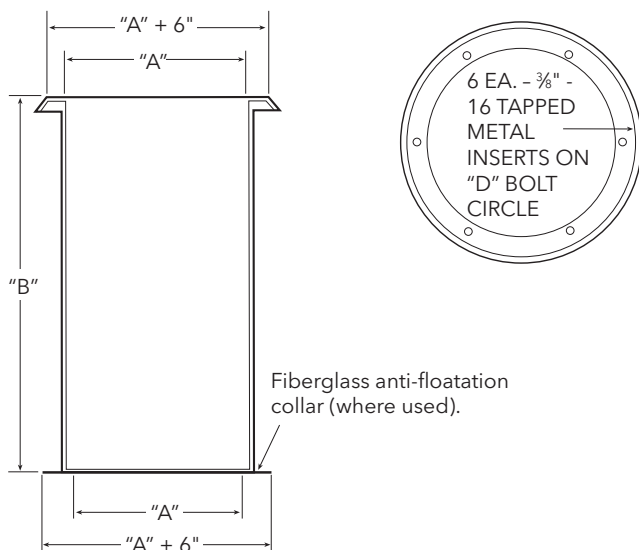
- Heavy duty fiberglass construction.
- Construction provides corrosion resistant gas tight design.
- Unique flange connection allows superior sealing capability.
- Light weight for easy installation.
- Available in 24" through 72" diameters.
- Optional float switch cord grips available (see basin accessories).

### DIMENSIONAL DATA

Order No.	A Basin Inside Dia.	B Cover Outside Dia.	C Cover Bolt Circle	D Material Thickness
A8-24F	24	30.1875	26.5	.8125
A8-30F	30	36.5	32.5	.8125
A8-36F	36	42.5	38.5	.8125
A8-42F	42	46	44.5	.50
A8-48F	48	54	51.0	.50
A8-60F	60	66	63.0	.75
A8-72F	72	78	75.0	1.0

(All dimensions are in inches and weights in lbs. Do not use for construction purposes.)

### BASIN DIMENSION DRAWING



### SOLID STEEL COVER

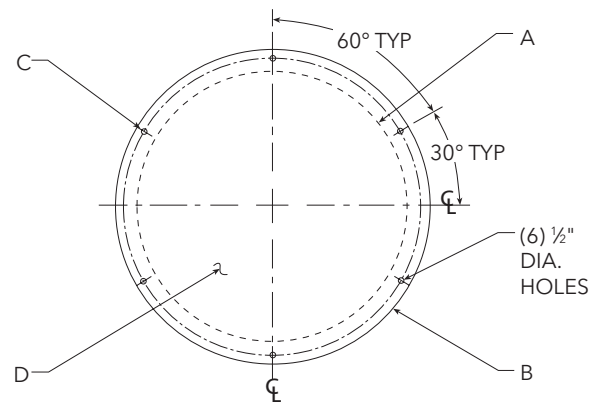
- Heavy duty steel construction.
- Black epoxy coating is applied to each cover.
- Available in 24" through 72" diameters.
- Optional float switch cord grips available (see basin accessories).

### DIMENSIONAL DATA

Order No.	A Basin Inside Dia.	B Cover Outside Dia.	C Cover Bolt Circle	D Material Thickness
A8-24T	24	28	26.5	.25
A8-30T	30	34	32.5	.25
A8-36T	36	40	38.5	.25
A8-42T	42	46	44.5	.25
A8-48T	48	54	51.0	.25
A8-60T	60	66	63.0	.375
A8-72T	72	78	75.0	.375

### COVER DIMENSION DRAWING

Stainless Steel Hardware Standard -  
Gasket Tape Provided



## Wastewater

### SINGLE DOOR HATCH COVER

- Heavy duty steel/aluminum construction.
- Black epoxy coating is applied to each cover.
- Single door design provides large opening for easy access to pump and controls.
- Available in 24" through 72" diameters.

### DOUBLE DOOR HATCH COVER

- Heavy duty steel/aluminum construction.
- Black epoxy coating is applied to each cover.
- Double door design provides easy access to pump and controls.
- Available in 48" through 72" diameters.

### SINGLE DOOR HATCH COVER DIMENSIONAL DATA

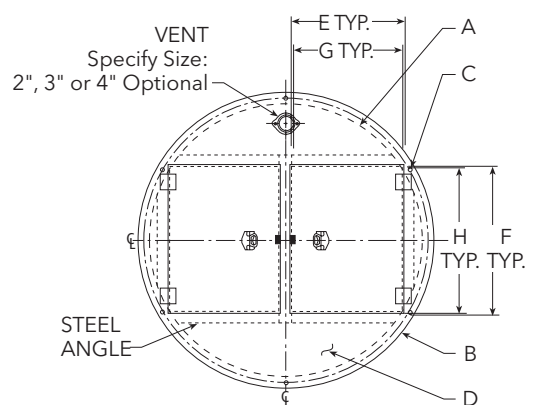
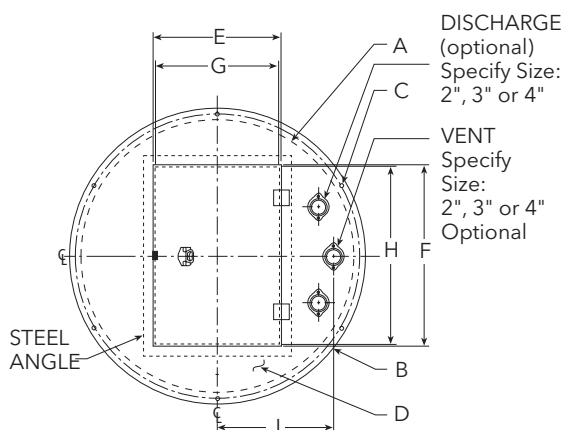
Aluminum Order No.	Steel Order No.	Vent Size	A Basin Inside Dimension	B Cover Outside Dimension	C Cover Bolt Circle	D Cover Thickness	E Hatch Door Width	F Hatch Door Length	G Clear Access Width	H Clear Access Length	J Dist.
A8-24A1	A8-24H1	2"	24	28	26.5	.25	13.5	17	16	12	10
A8-30A1	A8-30H1	2"	30	34	32.5	.25	17.5	23	16	22	13
A8-36A1	A8-36H1	2"	36	40	38.5	.25	21.5	25	20	24	16
A8-42A1	A8-42H1	2"	42	46	44.5	.25	23.5	33	22	32	19
A8-48A1	A8-48H1	2"	48	54	51	0.25	25.5	37	24	36	21
A8-60A1	A8-60H1	2"	60	66	63	0.25	30.5	40	29	39	27
A8-72A1	A8-72H1	2"	72	78	75	0.25	35.5	49	34	48	28

### DOUBLE DOOR HATCH COVER DIMENSIONAL DATA

Aluminum Order No.	Steel Order No.	Vent Size	A Basin Inside Dimension	B Cover Outside Dimension	C Cover Bolt Circle	D Cover Thickness	E Hatch Door Width	F Hatch Door Length	G Clear Access Width	H Clear Access Length
A8-48A2	A8-48H2	2"	48	54	51	.250	18	25	17	24
A8-60A2	A8-60H2	2"	60	66	63	.375	21	31	20	30
A8-72A2	A8-72H2	2"	72	78	75	.375	25	41	24	40

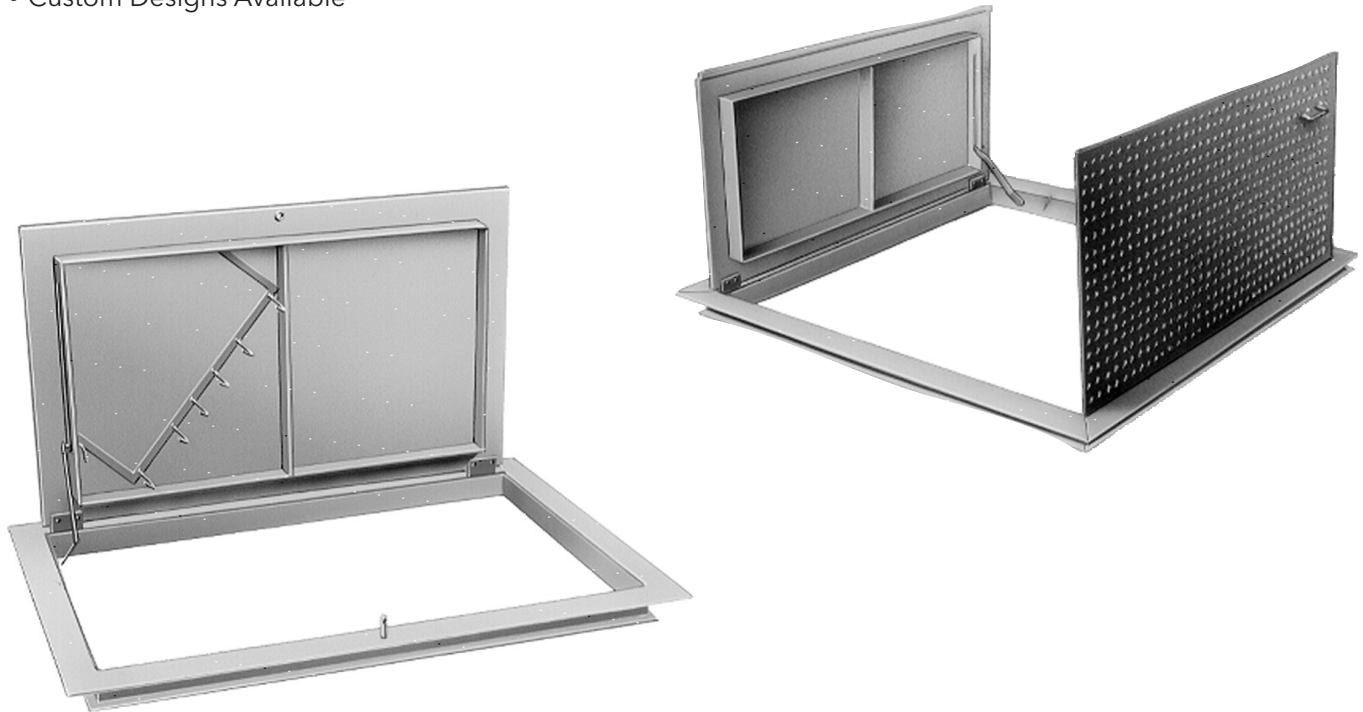
(All dimensions are in inches and weights in lbs. Do not use for construction purposes.)

### STAINLESS STEEL HARDWARE STANDARD - GASKET TAPE PROVIDED



### ACCESS DOORS FEATURES

- All Aluminum Construction: Frames and doors are ¼" thick, one-piece extruded construction. Concrete anchors are included.
- Heavy Duty Doors: Rated H-20 wheel rating
- Stainless Steel Hardware: Hinges, and all tamper-proof fasteners are 400 series stainless steel.
- Door Panels: Diamond plate design, opens to 90° and locks automatically in that position. Stainless steel locking arm and release handle supplied as standard equipment.
- Additional Features: Standard stainless steel handle, locking bar and snap-lock with removable key handle.
- Custom Designs Available

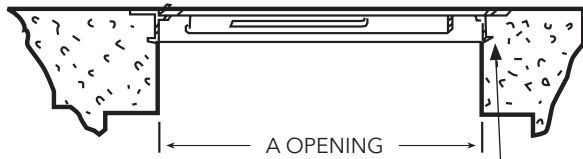
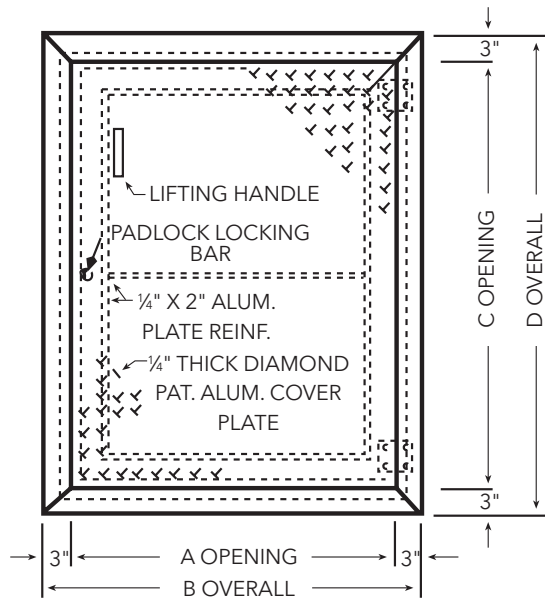


Order No.	Size		Construction
A3030	30" x 30"		Standard Duty
A3048	30" x 48"	Single Door	
A3648	36" x 48"		300 lb./sq. ft. Load Rated
A4848	48" x 48"	Double Door	
A4854	48" x 54"	Double Door	
AHD3048	30" x 48"	Single Door	* Heavy Duty (H-20)
AHD3648	36" x 48"	Single Door	
AHD4848	48" x 48"	Double Door	

**NOTE:** Stainless steel construction available.  
Stainless steel grating available.

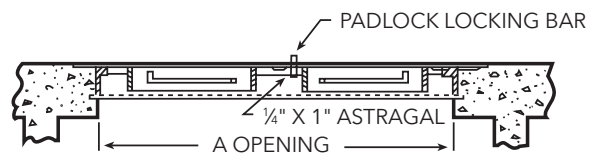
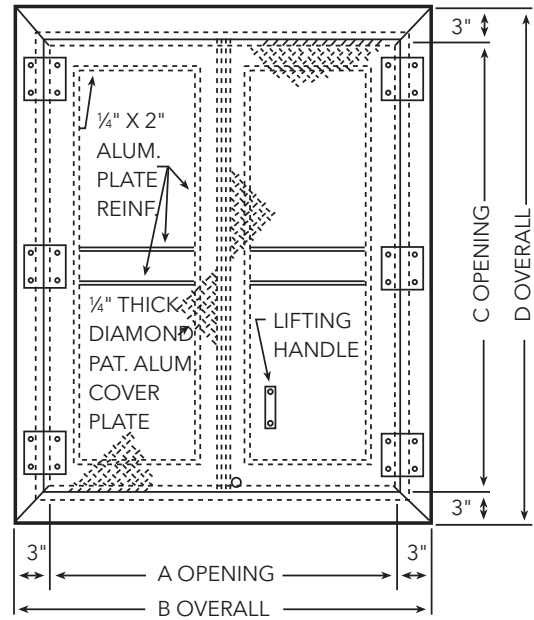
### ACCESS DOORS DIMENSIONS AND WEIGHTS

#### SINGLE DOOR



\* These doors have a 3/4" lip around the bottom of the frame. This lip must be taken into account when dry-mounting the door in a pre-cut hole.

#### DOUBLE DOOR



Model No.	Dimensions				Lift Wt. (lbs.)	Ship Wt. (lbs.)
	A	B	C	D		
A3030	30"	36"	30"	36"	12	49
A3048	30"	36"	48"	54"	20	71
A3648	36"	42"	48"	54"	24	85

Model No.	Dimensions				Lift Wt. (lbs.)	Ship Wt. (lbs.)
	A	B	C	D		
A4848	48"	54"	48"	54"	18	110
A4854	48"	54"	54"	60"	20	119

#### DIMENSIONS FOR AHD

Model No.	Dimensions				Lift Wt. (lbs.)	Ship Wt. (lbs.)	
	A	B	C	D			
AHD3048	30"	41"	48"	54"	24	150	Single Door
AHD3648	36"	47"	48"	54"	26	180	Single Door
AHD4848	48"	60"	48"	54"	28	235	Double Door

## Wastewater

\* Simplex covers are not for use if slide rails are used in basin.

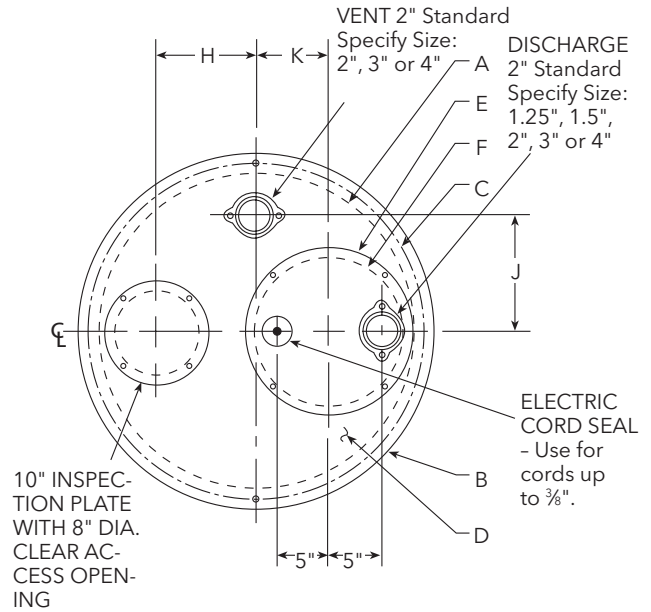
### SIMPLEX FIBERGLASS PUMP COVER

- Heavy duty fiberglass construction.
- Construction provides corrosion resistant gas tight design.
- Unique flange connection allows superior sealing capability.
- Light weight for easy installation.
- Pump access and switch inspection plates furnished as standard.
- Available in 24" through 48" diameters.
- Optional float switch cord grips available (see basin accessories).

### SIMPLEX STEEL PUMP COVER

- Heavy duty steel construction.
- Black epoxy coating is applied to each cover.
- Pump access and switch inspection plates furnished as standard.
- Available in 24" through 48" diameters.
- Optional float switch cord grips available (see basin accessories).

### STAINLESS STEEL HARDWARE STANDARD - GASKET TAPE PROVIDED



### SIMPLEX FIBERGLASS PUMP COVER DIMENSIONAL DATA

Order No.	Vent Size	A Cover Inside Dimension	B Cover Outside Dimension	C Cover Bolt Circle	D Cover Thickness	E Access Plate Dimension	F Clear Access Dimension	G Distance	H Distance	J Distance	K Distance
A8-24FS	2"	24	30.5	26.5	.25	16	14	NA	7.75	10	5.50
A8-30FS	2"	30	36.0	32.5	.25	18	16	NA	9.50	11	7.00
A8-36FS	2"	36	42.5	38.5	.25	18	16	NA	13.00	14	7.00

### SIMPLEX STEEL PUMP COVER DIMENSIONAL DATA

Order No.	Vent Size	A Cover Inside Dimension	B Cover Outside Dimension	C Cover Bolt Circle	D Cover Thickness	E Access Plate Dimension	F Clear Access Dimension	G Distance	H Distance	J Distance	K Distance
A8-24TS	2"	24	28	26.5	.25	16	14	NA	7.75	10	5.50
A8-30TS	2"	30	34	32.5	.25	18	16	NA	9.50	11	7.00
A8-36TS	2"	36	40	38.5	.25	18	16	NA	13.00	14	7.00
A8-42TS	2"	42	46	44.5	.25	22	20	NA	14.00	14	10.00
A8-48TS	2"	48	54	51.0	.25	22	20	NA	18.00	20	9.00
A8-60TS	2"	60	66	63.0	.375	28	26	NA	15.50	25	15.50

(All dimensions are in inches and weights in lbs. Do not use for construction purposes.)



## Wastewater

**\* Duplex covers are not for use if slide rails are used in basin.**

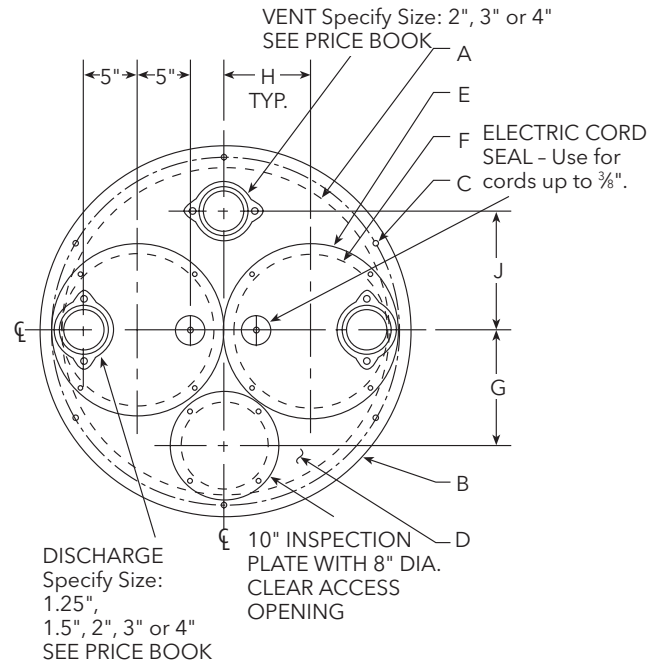
### DUPLEX FIBERGLASS PUMP COVER

- Heavy duty fiberglass construction.
- Construction provides corrosion resistant gas tight design.
- Unique flange connection allows superior sealing capability.
- Light weight for easy installation.
- Two pump access and one switch inspection plate furnished as standard.
- Available in 30" through 72" diameters.
- Optional float switch cord grips available (see Basin Accessories).

### DUPLEX STEEL PUMP COVER

- Heavy duty steel construction.
- Black epoxy coating is applied to each cover.
- Two pump access and one switch inspection plate furnished as standard.
- Available in 24" through 48" diameters.
- Optional float switch cord grips available (see Basin Accessories).

### STAINLESS STEEL HARDWARE STANDARD - GASKET TAPE PROVIDED



### DUPLEX FIBERGLASS PUMP COVER DIMENSIONAL DATA

Order No.	Vent Size	A Bain Inside Dimension	B Cover Outside Dimension	C Bolt Circle	D Cover Thickness	E Access Plate Dimension	F Clear Access Dimension	G Distance	H Distance	J Distance
A8-30FD	2"	30	34	32.5	.25	16	14	10.50	8.00	11
A8-36FD	2"	36	40	38.5	.25	18	16	13.00	10.00	14

### DUPLEX STEEL PUMP COVER DIMENSIONAL DATA

Order No.	Vent Size	A Bain Inside Dimension	B Cover Outside Dimension	C Bolt Circle	D Cover Thickness	E Access Plate Dimension	F Clear Access Dimension	G Distance	H Distance	J Distance
A8-30TD	2"	30	34	32.5	.25	16	14	10.50	8.00	11
A8-36TD	2"	36	40	38.5	.25	18	16	13.00	10.00	14
A8-42TD	2"	42	46	44.5	.25	22	20	14.00	10.00	14
A8-48TD	2"	48	54	51.0	.25	22	20	18.00	12.00	20
A8-60TD	2"	60	66	63.0	.375	28	26	15.50	15.50	25
A8-72TD	2"	72	78	75.0	.375	28	26	15.50	15.50	30

(All dimensions are in inches and weights in lbs. Do not use for construction purposes.)

**NOTE:** Not for use if slide rails are installed in basin.

### CONNECTIONS

#### INLET GROMMET (RINGER SERIES)

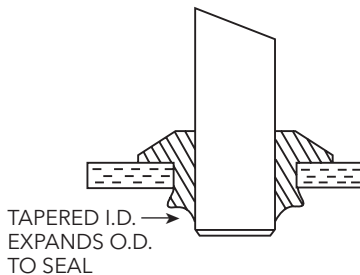
Order No.	Pipe Size	Required Hole Dia.
A8-12U	1¼"	
A8-15U	1½"	
A8-2U	2"	3"
A8-24U	2"	4"
A8-3U	3"	4"
A8-4U	4"	5"
A8-6U	6" Seal	7"

#### STOP 'N' SEAL INLET HUB

Order No.	Pipe Size	Required Hole Dia.
A8-4DU	4" Double Seal	5"

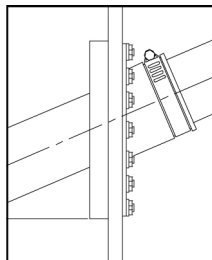
#### COMPOSITE INLET HUB

Order No.	Pipe Size
A8-4C	4"
A8-6C	6"
A8-6C2	6"
A8-8C	8"
A8-8C2	8"



#### FLEX BOOT

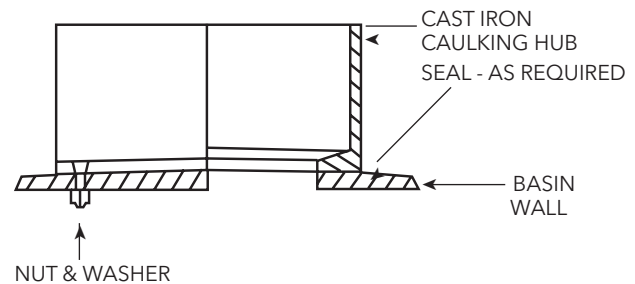
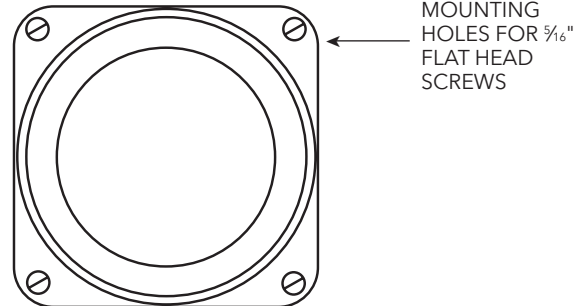
- Two piece - redundant sealing
- Stainless studs
- Corrosion resistant nuts and washers
- Nitrile rubber
- Service from inside eliminating the need to excavate basin for maintenance.



Flexible Boot	
Part No.	Pipe Size
A8-2FB	2
A8-3FB	3
A8-4FB	4
A8-6FB	6

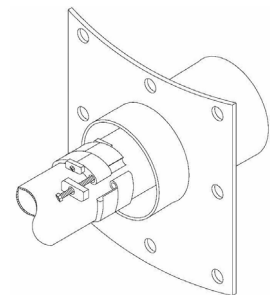
#### INLET CAULKING HUBS

Order No.	Description
A8-2	2" Cast Iron
A8-3	3" Cast Iron
A8-4	4" Cast Iron
A8-6	6" Cast Iron
A8-8	8" Cast Iron



#### ALUMINUM SLEEVE

- Time-saving installation
- Long-lasting components
- Corrosion resistant
- Stainless steel fittings
- Aluminum sleeve

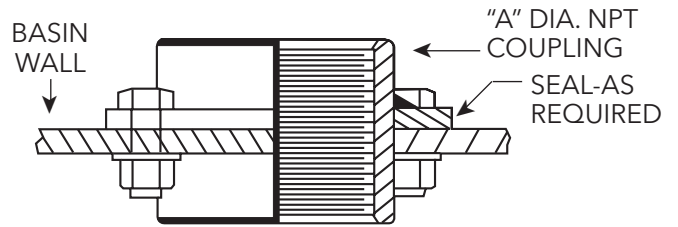
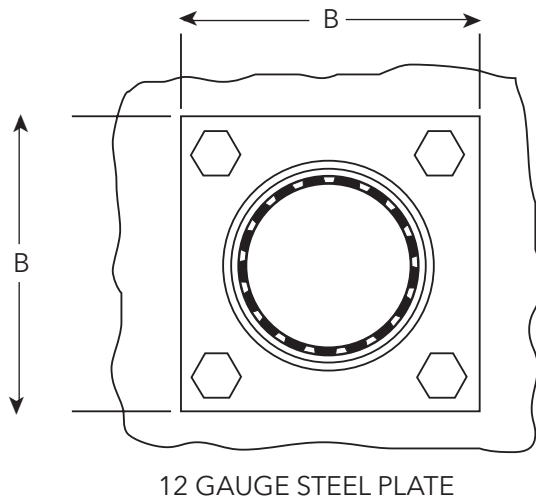


Aluminum Sleeve and Link Seals		
Part No.	Pipe Fit	Pipe Standards
A8-46AS	6" Sleeve for 4" PVC	SCH40
A8-610AS	10" Sleeve for 6" PVC	SCH40
A8-812AS	12" Sleeve for 8" PVC	SCH40
A8-48ASD	8" Sleeve for 4" DI	DI
A8-610ASD	10" Sleeve for 6" DI	DI
A8-812ASD	12" Sleeve for 8" DI	DI
A8-46SDR	6" Sleeve for 4" SDR	SDR35
A8-610SDR	10" Sleeve for 6" SDR	SDR35
A8-812SDR	12" Sleeve for 8" SDR	SDR35

Aluminum Sleeve includes link seal appropriate for pipe size specified.

### DISCHARGE HUBS

Through basin wall, female NPT coupling.



### DIMENSIONAL DATA

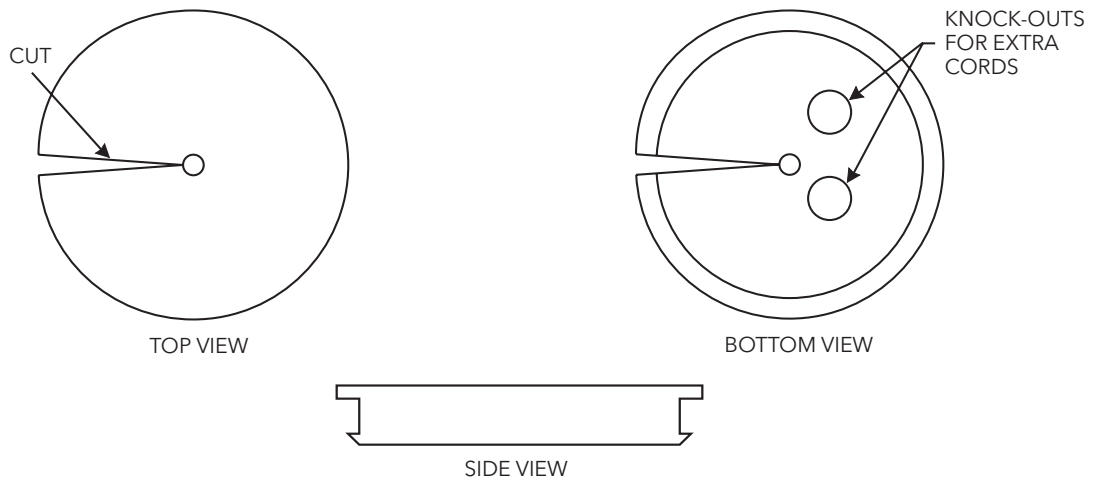
Model No.	A	B
A8-12	1 ¼"	4"
A8-15	1 ½"	4"
A8-20	2"	4"
A8-30	3"	6"
A8-40	4"	6"

### CORD SEAL

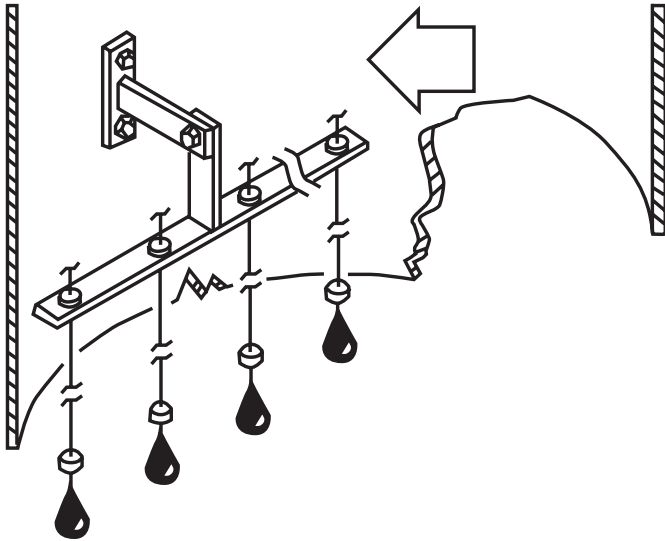
#### SPECIFICATIONS:

Material: Alcryn Part No. A8CS  
 Diameter: 2.5" Thickness: 7/16"

- Cord Seal is designed to seal around electric cord entry holes of 2.0" to 1.25".
- To modify the seal for smaller holes simply cut pie slices out until the diameter is 0.4" greater than the entry hole.

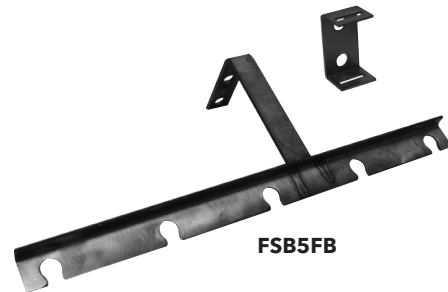


### STAINLESS STEEL FLOAT BRACKETS

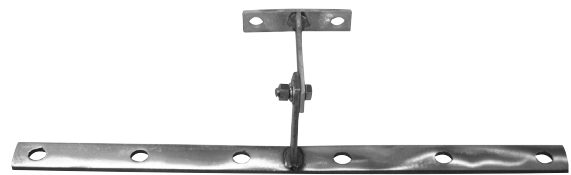


- T-type brackets are designed to keep multiple float switches organized within the basin. All brackets are made of Type 304 stainless steel and come with black cord snubbers to securely attach float cables.
- The T-shaped bracket styles are supplied with a mounting piece so that the bracket itself may be easily removed from the basin with the floats still attached.

Order No.	Type	# Floats	Material	Includes	Mfg.
FSB1	Adjustable Bracket	6	304 SS	Cord Snubbers	Conery
FSB3FB	T Type	3	304 SS	Cord Grips	Topp
FSB4FB	T Type	4	304 SS	Cord Snubbers	Conery
FSB5FB	T Type	5	304 SS	Cord Snubbers	
FSB6FB	T Type	6	304 SS	Cord Snubbers	
FSB6AHB	Hook	6	304 SS	Hooks	



FSB6AHB is a 6-float hook-type bracket.



### PORTABLE HOISTS

#### STANDARD FEATURES:

- 304SS construction
- 30' of ¼" stainless steel cable
- Galvanized 1 ton hook
- Dutton-Lainson Marine Grade Brake Winch
- Adjustable reach in 1" (25 mm) increments



Model	Mast Diameter	Maximum Load	Weight	Optional Socket Part Number
A8-PH300	2 <sup>3</sup> / <sub>8</sub> "	300	73	A8-PH1S
A8-PH1000	3 <sup>1</sup> / <sub>2</sub> "	1000	96	A8-PH2S
A8-PH1330	4"	1330	136	A8-PH3S

\* ¼" cable 304SS per foot A8-PHSSC1, change last digit for longer cable.

## Wastewater

### TRASH BASKETS

#### STANDARD FEATURES:

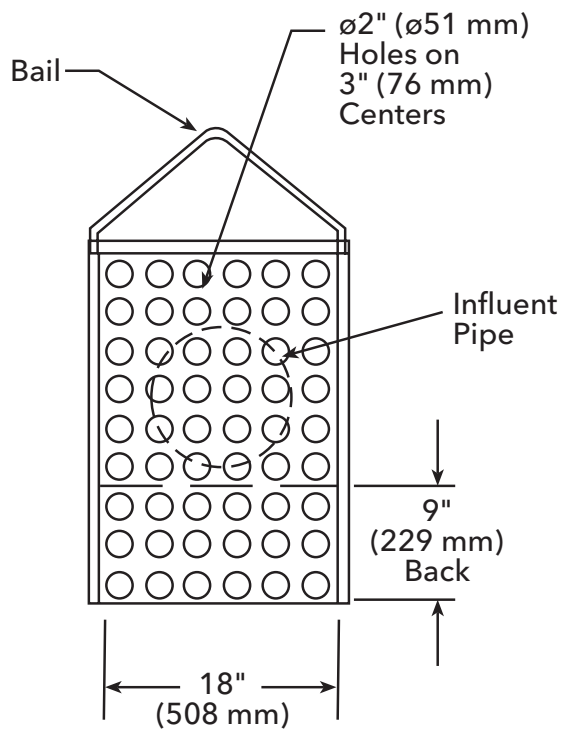
- All aluminum construction
- Perforated screening style
- Baskets for up to 8" inlet
- 2" diameter holes on 3" centers
- **Part # A8-TB1**

\* Guide rails available upon request.  
A8 = TBRAIL (sold by foot)



#### APPLICATION:

- Large solids pit for problem applications. Easily captures non-pumpable waste to be removed during routine maintenance.



### JUNCTION BOXES

- NEMA 4X fiberglass enclosure.
- Cord grips supplied for pump and control wires.
- 2" conduit connection supplied.
- Consult factory for enclosure types and options not listed.



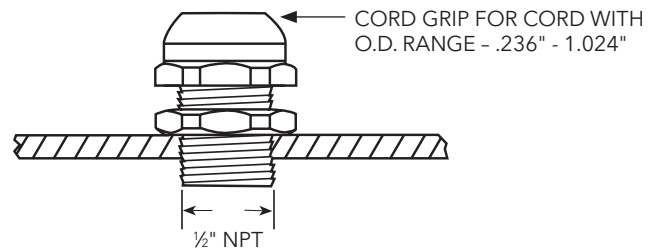
Cord Grips up to .47	Cord Grips .38 to .75	Inside Box Dimensions
3	1	6" x 7" x 2 7/8"

Part Number	Configuration	Size	Grips
A8-1J	Simplex	6 x 7 x 2 7/8	3 / 1
A8-3J	Simplex	4 x 4 x 4	3 / 1
A8-4J	Duplex	6 x 6 x 4	4 / 2
A8-6J	Duplex	8 x 8 x 4	6 / 2

### CORD GRIPS

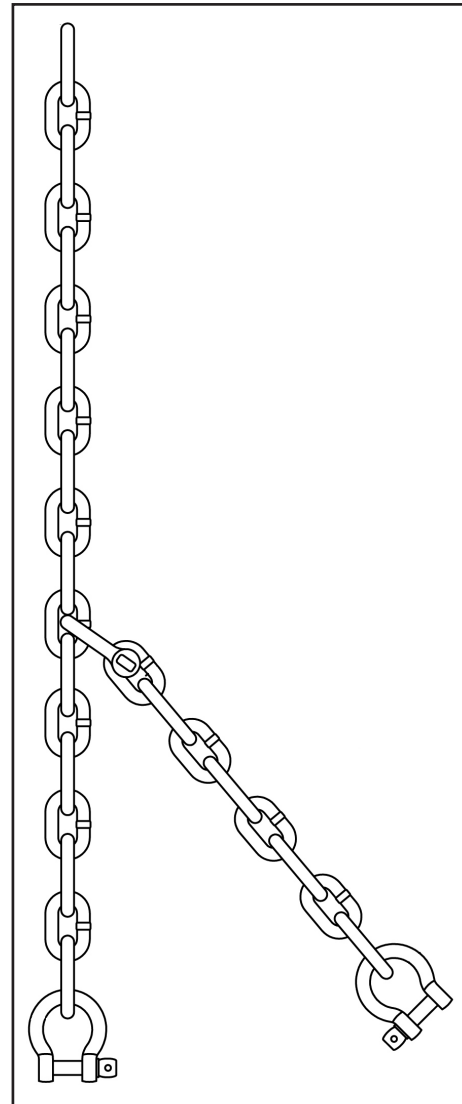
Inspection plate modification (for level control[s]).

Part No.	Normal Size	Range OD of Cord
CG50	1/2"	.236" to .472"
CG750	3/4"	.511" to .708"
CG1000	1"	.236" to 1.024"



### CHAINS

Part No.	
ACHNSSL10	1/2" x 10'SS Chain, 5/8 Shackles
ACHNSSL20	1/2" x 20'SS Chain, 5/8 Shackles
ACHNSS10	3/16" x 10'SS Chain, 5/16 Shackles
ACHNSS10KT	10' Chain Kit/Bail and Shackles included
ACHNSS20	3/16" x 20'SS Chain, 5/16 Shackles
ACHNSS20KT	20' Chain Kit/Bail and Shackles included
ACHNSS30	3/16" x 30'SS Chain, 5/16 Shackles
ACBL10	3/16" x10' Cable 304 SS
ACBL20	3/16" x 20' Cable 304 SS
ABAIL1	Bail for Wgt of 1200#
ABAIL2	Bail for Wgt of 2800#



**Chain Kit Shown**

## SUMP PUMP EXERCISER

### A4-SPE

- Energizes pump for 3 seconds every 7 to 14 days (factory set at 14 days)
- Rated for 115V, up to ½ HP, 9.8 amps
- Perfect application for finished basements
- Includes float switch



**xylem**  
Let's Solve Water

Xylem Inc.  
2881 East Bayard Street Ext., Suite A  
Seneca Falls, NY 13148  
Phone: (866) 325-4210  
Fax: (888) 322-5877  
[www.centripro.com](http://www.centripro.com)

CentriPro is a trademark of Xylem Inc. or one of its subsidiaries.  
© 2017 Xylem Inc. BCASIN R18 February 2017