

## INSTALLATION INSTRUCTIONS:

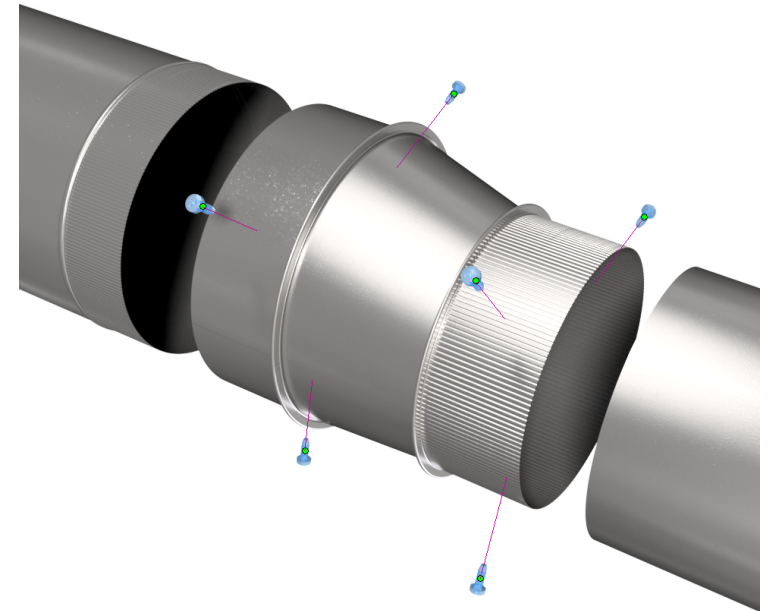
- 1- Air flow large to small, check air flow direction before installing.
- 2- Push pipe into/onto the fitting. until tight.
- 3- Use three 1/2" sheet metal screws on both connections.

### **NOTE:**

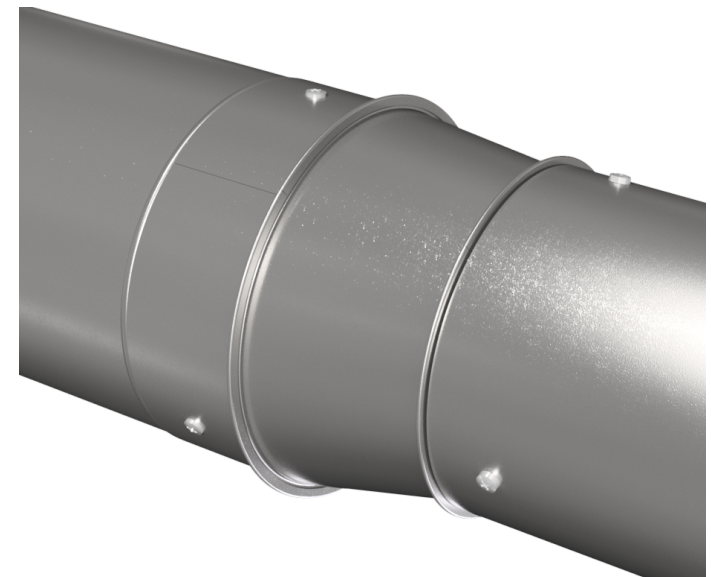
Used for residential applications. Industrial tape, foil, or sealer can be used, but we recommend using metal screws to install.

### **WARNING!!**

*Improper installation may result in damage to product or inefficiencies in the system. Use proper PPE and equipment during cutting, bending, and installation processes. If local codes differ from these instructions follow local building codes.*



**INSTALLATION VIEW**



**INSTALLED VIEW**

[\(403\) 327-9871](tel:4033279871)

[sales@tradesmanmfg.ca](mailto:sales@tradesmanmfg.ca)

[www.tradesmanmfg.ca](http://www.tradesmanmfg.ca)