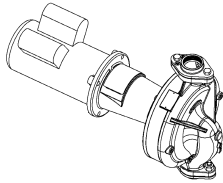


<b>JOB:</b>	<b>REPRESENTATIVE:</b>	
<b>UNIT TAG:</b>	<b>ORDER NO.</b>	<b>DATE:</b>
<b>ENGINEER:</b>	<b>SUBMITTED BY:</b>	<b>DATE:</b>
<b>CONTRACTOR:</b>	<b>APPROVED BY:</b>	<b>DATE:</b>



# 2x2x7

## Series e-60<sup>®</sup>

### Maintenance Free In-Line Mounted Pump

**SPECIFICATIONS**

FLOW \_\_\_\_\_ HEAD \_\_\_\_\_

HP \_\_\_\_\_ RPM \_\_\_\_\_

VOLTS \_\_\_\_\_

CYCLE \_\_\_\_\_ PHASE \_\_\_\_\_

ENCLOSURE \_\_\_\_\_

APPROX. WEIGHT \_\_\_\_\_

SPECIALS \_\_\_\_\_

**MATERIALS OF CONSTRUCTION**

- BRONZE FITTED     ALL BRONZE

**FEATURES**

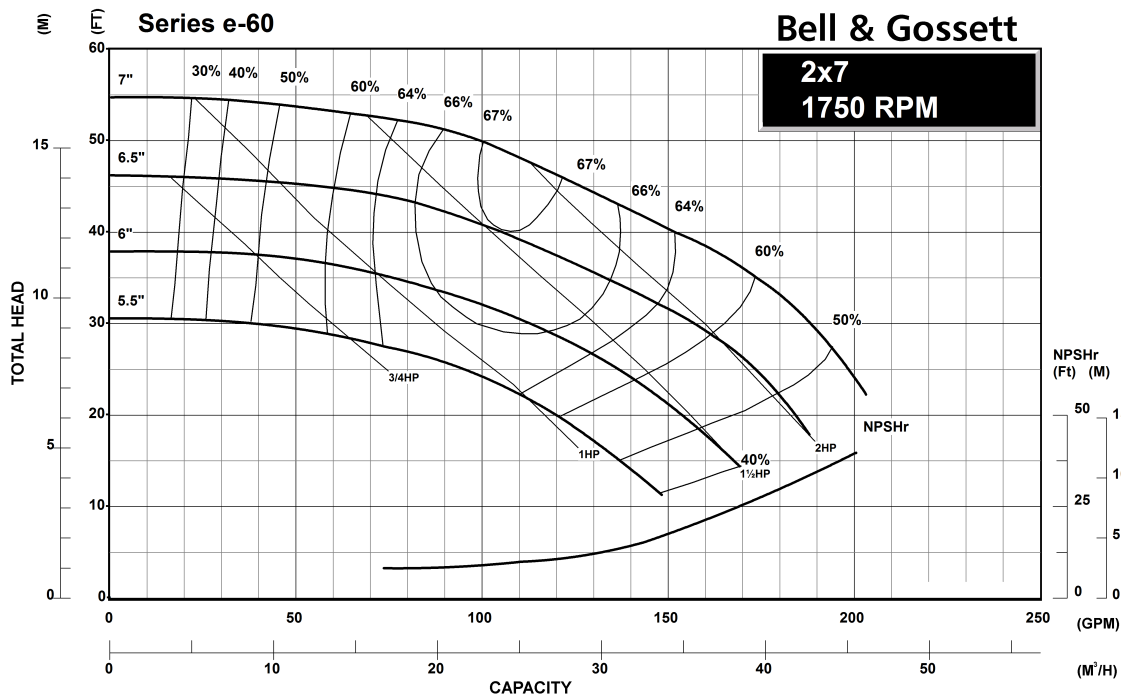
- MAINTENANCE FREE PUMP
- UNITIZED INTERNALLY SELF-FLUSHING MECHANICAL SEAL
- XLI<sup>®</sup> BEARING LUBRICATION SYSTEM
- THREE YEAR WARRANTY
- FACTORY TEST

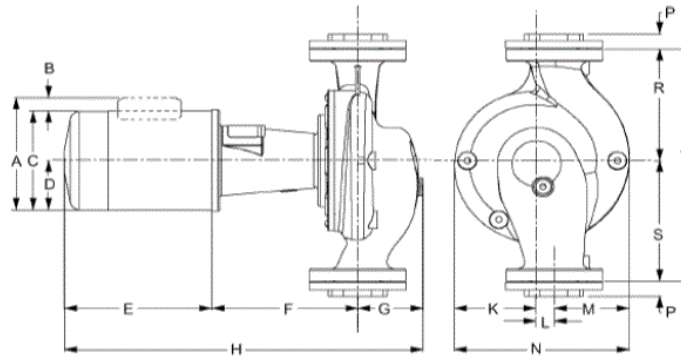
**WORKING PRESSURE**

- 175 psi (12 bar) W.P.

**TYPE OF SEAL**

- Standard Seal  
EPR/Carbon/Silicon Carbide  
-20 °F TO 250 °F(-29 °C TO 121 °C)
- Optional Seal  
FKM/Carbon/Silicon Carbide  
-20 °F TO 225 °F(-29 °C TO 107 °C)
- Optional Seal  
EPR/Graphite loaded Silicon Carbide on Graphite loaded Silicon Carbide  
-20 °F TO 250 °F(-29 °C TO 121 °C)





SUCTION AND DISCHARGE SIZE INCHES NPT	PUMP DIMENSIONS IN INCHES (MM)									
	F	G	K	L	M	N	P	R	S	T
2	9.38 (238)	3.5 (89)	4.75 (121)	1 (25)	4.12 (105)	9.88 (251)	0.81 (21)	6.5 (165)	7.5 (191)	14 (356)

MAXIMUM WORKING PRESSURE 175PSI (12BAR)

ALL MOTORS 1750RPM

DIMENSIONS - INCHES (MM)

MOTOR HP		MOTOR DIMENSIONS - INCHES (MM)					
HP	PHASE	A (max)	B	C	D	E	H
3/4	1	10.12 (257)	2.25 (57)	7.88 (200)	4.38 (111)	11 (279)	23.88 (607)
3/4	3	7.88 (200)	-	7.88 (200)	4.38 (111)	11 (279)	23.88 (607)
1	1	10.12 (257)	2.25 (57)	7.88 (200)	4.38 (111)	11 (279)	23.88 (607)
1	3	7.88 (200)	-	7.88 (200)	4.38 (111)	11 (279)	23.88 (607)
1.5	1	8.75 (222)	2.25 (57)	6.5 (165)	3.25 (83)	10.75 (273)	21.38 (543)
1.5	3	6.5 (165)	-	6.5 (165)	3.25 (83)	10 (254)	21.38 (543)
2	3	6.5 (165)	-	6.5 (165)	3.25 (83)	10 (254)	21.38 (543)
3	3	6.5 (165)	-	6.5 (165)	3.25 (83)	11.38 (289)	22.25 (565)

DIMENSIONS ARE SUBJECT TO CHANGE. NOT TO BE USED FOR CONSTRUCTION PURPOSES UNLESS CERTIFIED.  
INCLUDES COMPANION FLANGES.