



Retain Manual for Reference

# Marlow Series 20EVP

INSTALLATION, OPERATION AND MAINTENANCE INSTRUCTIONS



## Table of Contents

<b>SUBJECT</b>	<b>PAGE</b>
Recommended Precautions.....	3
Operating Instructions.....	3
Operating.....	4
Priming.....	4
Rotation.....	4
Winter Storage.....	4
Lubrication.....	4
Maintenance.....	4
Warning.....	4
Caution.....	4
Instructions for Licensed Electricians.....	4
Troubleshooting Guide.....	5
Repair Parts.....	6
Limited Warranty.....	8

### Owner's Information

Please fill in data from your pump nameplate.  
Warranty information is on page 8.

Pump Model: \_\_\_\_\_

Serial Number: \_\_\_\_\_

Dealer: \_\_\_\_\_

Dealer's Phone Number: \_\_\_\_\_

Date of Purchase: \_\_\_\_\_

Installation Date: \_\_\_\_\_

## CONGRATULATIONS

You are now the owner of a Goulds Water Technology pump. This pump was carefully inspected and subjected to final tests before releasing for shipment. In order to assure maximum performance, please follow the simple instructions in this manual.

## RECOMMENDED PRECAUTIONS

1. Avoid system pressures that may exceed the maximum working pressure of the pump.
2. Should the fluid temperature rise more than 50°F. above ambient, expansion joints must be installed on both the suction and discharge ports to relieve any stress on the pump casing.
3. All electrical wiring of the pump installation must be done by a licensed electrician who will observe all national and local electrical codes. All motors require a magnetic starter with current overload protection.
4. No modifications, additions or deletions should be made to the pump, without prior approval of the factory.
5. In systems where shock wave pressures may be generated, protective devices such as check valves/gate valves, etc., must be installed on the discharge line to prevent shock pressures from entering the pump casing.
6. In systems containing discharge check valves, gate valves, etc., the pump will not prime against a closed valve. Check the discharge valves making sure they are open before attempting to prime the pump. If there is a possibility of air being entrapped in the pump casing, install an automatic venting device to bleed off the air.
7. This pump is designed primarily for water use. Before pumping other liquids, read carefully the **CAUTION** below.
8. Overheated pumps are dangerous. Burns or explosion could occur due to steam pressure. Operating pumps with suction and discharge closed is one cause of severe overheating. If overheating of the pump occurs:  
1. Stop pump immediately, 2. Allow pump to cool, 3. Slowly and cautiously vent pump.
9. Drain casing completely when servicing pumps handling volatile or harmful liquids.
10. Do not use in a combustible atmosphere.
11. Make daily checks of the tightness of suction and discharge pipe, drain, filter plug and pump gaskets. Operation should not proceed until all of the above items have been checked and are tight.
12. After servicing the pump, always install the coupling guards, belt guards and other safety devices as originally found prior to disassembly.

**CAUTION** The performance of Goulds Water Technology are based upon clear, cold, fresh water with suction conditions as shown on the performance curve. If used to pump other liquids, pump performance may differ from rated performance based on the different specific gravity, temperature, viscosity, etc. of the liquid being pumped. A standard pump may not be safe for pumping all types of liquids, such as toxic, volatile or chemical liquids, or liquids under extreme temperatures or pressures. Please consult your Goulds

Water Tehcnology catalog as well as local codes and general references to determine the appropriate pumps for your particular application. Since it is impossible for us to anticipate every application of a Goulds Water Tehcnology pump, if you plan to use the pump for a non-water application, consult Goulds Water Tehcnology beforehand to determine whether such application may be proper or safe under the circumstances. Failure to do so could result in property damage or personal injury.

## OPERATING INSTRUCTIONS

### GENERAL

- Our shipping container has been specifically designed to prevent transit damage. However, any indications of damage or shortage should be carefully noted on the delivery ticket and a claim filed promptly with the carrier.

### PROPER LOCATION

- By placing your pump on a firm, level foundation or between firmly supported pipelines, you reduce harmful vibrations and unnecessary noises.
- While EV series pumps are self-priming and may be located above the source of liquid supply, best pump operation is obtained by locating the pump as close as possible to the liquid being handled, keeping in mind a pump can push liquid more effectively than it can pull or draw liquid. Provide the necessary space around the pump for future inspection and servicing of the unit.

### PIPING

- All piping should be independently supported to eliminate excessive strain on the pump. Avoid unnecessary friction losses. Keep your piping as short as possible and use the fewest possible elbows and fittings. Pipe joint compound that will not dissolve in the liquid being pumped should be used on all joints. Gate valves combined with unions or flanges, on both sides of the pump, will facilitate pump removal without disturbing the piping. It is occasionally advantageous to use suction pipe one size larger than that for which the pipe is fitted. Eccentric reducers should be used to change pipe sizes.

### STRAINER ADVISABLE

- Protect your investment. Install a strainer on the suction line. This will eliminate clogging of the pump, poor performance and excessive wear. A 16 mesh strainer submerged one foot below the liquid level is adequate for EV series pumps. In-line strainers are available from your Goulds Water Technology dealer. Piping that has a continuous rise will facilitate draining the system.

### VALVES

- Install a check valve on the discharge side of the pump. This will prevent high surge back pressures from damaging the pump. If the pump is disconnected this check valve will prevent the liquid from draining the discharge line.
- Some installations may require the throttling of the pump. Gate valves may be used on the discharge side. Place the check valve between pump and gate valve.

- If the pump is operated against a low discharge pressure, it may be noisy. Throttle down the discharge gate valve until the noise is eliminated. This restriction will not cause any appreciable loss in capacity.

## OPERATING

### PRIMING

- Fill the pump tank with liquid before starting. This may be done through the elbow on the side of the tank. Use pipe compound when replacing the plug in the side elbow. These Goulds Water Technology prime and reprime themselves providing the pump tank is filled with liquid. Should you lose this liquid from the tank accidentally or by draining purposely, it will be necessary to refill it with liquid before starting. High suction lifts, or long suction lines, require additional time and reduce the performance of the pump. Should you have difficulty, refer to the Troubleshooting Guide.
- Always keep liquid in the pump tank. No further lubrication of the pump end is necessary including the seal assembly. If flow does not start within five minutes, stop the motor and determine cause (see Trouble-shooting Guide). Be sure all suction and discharge valves are open when the pump is priming. Operating the pump with a closed valve in the system can cause pump damage.

### ROTATION

- Your pump is specifically designed to rotate as indicated by the arrow on the pump tank. Three phase motors can rotate in either direction. Check the rotation. Interchanging any two leads of a three phase motor will reverse the rotation, if this is found necessary.

### WINTER STORAGE

- During freezing weather, it is especially important to drain all of the liquid from the pump tank. This will prevent ice from cracking the tank or internal parts.
- To maintain the excellent performance of the pump, follow the motor manufacturer's storage instructions.

### LUBRICATION

- The latest engineering advancements have been incorporated into our self-lubricating shaft seal. The liquid being pumped cools and lubricates the seal, therefore the pump should never be run dry. A seal well vent has been provided to protect the electric motor from liquid damage should the seal leak. **DO NOT** plug this vent. If leakage becomes excessive, replace the seal assembly.

### MAINTENANCE

- If your pump is not used for a few days, drain the liquid completely. This will prevent aggravating costly rust formations.

**▲ WARNING** All electrical work **MUST** be done by a licensed electrician. Before working on motors be certain that the electrical power is off at the main junction box. Disconnect the fuse or circuit breaker and have the main switch tagged "Do Not Energize This Switch, Personnel Working on Equipment".

**▲ CAUTION** Some motors are equipped with built-in thermal over-loads to shut off the motor in the event the temperature becomes excessive (as a result of mechanical or electrical problems; such as low voltage, poor ventilation, overloaded lines, etc.). These motors will restart automatically as the motor cools down. For safety sake, do not work on any motor, without first shutting off the electricity at the source as outlined above in the "Warning". Also all three phase motors are not thermal protected and motor starters are recommended.

## INSTRUCTIONS FOR LICENSED ELECTRICIANS:

### TURN POWER OFF

1. Determine the voltage of the power supply line to motor. Voltage, phase, ampere draw, and cycles are given on the motor nameplate.

The wire used to supply power to the motor must be large enough to carry the amperes for the required length without excessive voltage drop. The following table is meant to be a guide only to the minimum proper wire size selection. Always consult local electrical codes.

Typical AWG Wire Size for Single Phase Jet Pump Motors				
HP	50 Ft. Wire Length		100 Ft. Wire Length	
	115 V	230 V	115 V	230 V
1/3	14	-	12	-
1/2	14	14	10	14
3/4	12	14	10	14
1	12	14	8	14
1 1/2	10	14	8	12
2	8	12	8	12

## TROUBLESHOOTING GUIDE

The following are some common causes of problems that may arise.

SYMPTOMS	PROBABLE CAUSE	RECOMMENDED ACTION
<b>Will Not Prime</b>	No liquid Air leak in suction line  Blocked suction line Worn seal	Fill tank with liquid. Tighten all joints or remake using new compound. Clean strainer or suction line. Install new seal.
<b>Suddenly Stops Pumping</b>	Clogged strainer or impeller Missing or broken impeller key	Clean debris. Replace.
<b>Slowly Stops Pumping</b>	Clogged impeller, diffuser, lines or loose filler plug	Clean debris and use strainer. Tighten filler plug.
<b>Excessive Leakage From Seal Well Vent</b>	Worn seal	Replace seal.
<b>Will Not Hold Prime</b>	Worn seal Suction lift too high Air leak in suction line	Replace seal. Relocate pump closer to supply. Fix leak.
<b>Performance Poor</b>	Worn impeller or seal Suction lift too high	Replace with new impeller or seal. Relocate pump closer to supply.
<b>Low Flow Or Pressure</b>	Motor not up to speed, low voltage Air leak  Blocked line Worn seal Incorrect rotation (three phase motor)	Larger lead wires. Tighten all joints or remake using new compound. Clean strainer or suction line. Install new seal. Interchange any two leads to reverse the rotation.
<b>Noisy Operation</b>	Worn motor bearings Low discharge head Debris lodged in impeller Cavitation	Replace. Throttle discharge. Disassemble pump and clean out. Improve suction conditions.

## REPAIR PARTS LIST

Key	Description	Key	Description
1	Drain plug	11①	Seal assembly
2	Cover	12	Tank
3①	Gasket, cover	13①	Shim, motor
4①	Impeller nut	14①	Impeller key
5①	Impeller washer	15	Cap screw
6②	Impeller	16	Cap screw
7②	Diffuser	17①	Slinger
8①	Gasket, diffuser	18	Elbow
9①	Impeller, shim	19	Filler plug
10①	Impeller spacer	20	Motor

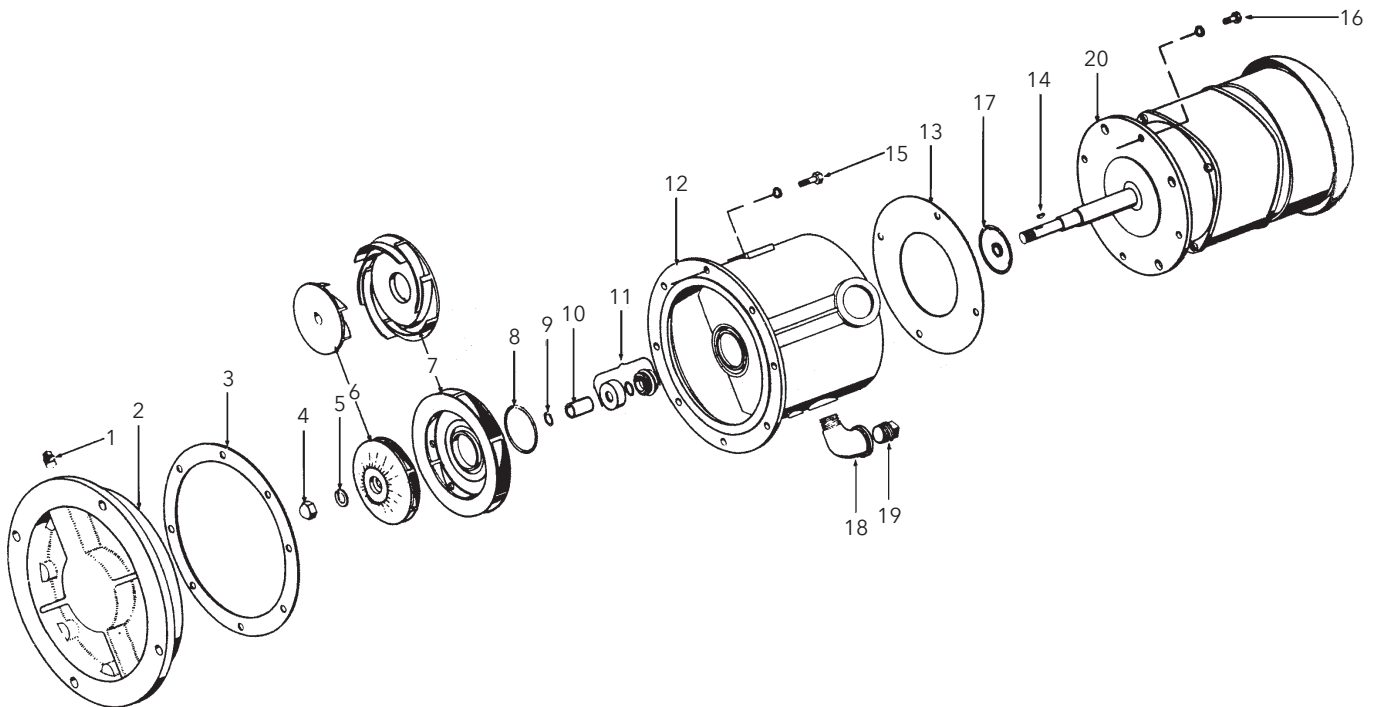
① Recommended spare parts

② Recommended distributor stock, export spares and critical service.

### IMPORTANT:

How to use the drawing to order parts:

The above grouping of parts illustrations cover many different Goulds Water Technology models, including your own pump. The table on the left page indicates the name of each part. Should you need a replacement, refer to the drawing - locate the part that matches your pump part. Contact your local Goulds Water Technology dealer and supply him with the key number and description of the parts required, along with your pump model number and serial number, which are located on the pump nameplate.



## NOTES

## COMMERCIAL WARRANTY

For goods sold to commercial buyers, Seller warrants the goods sold to Buyer hereunder (with the exception of membranes, seals, gaskets, elastomer materials, coatings and other "wear parts" or consumables all of which are not warranted except as otherwise provided in the quotation or sales form) will be (i) be built in accordance with the specifications referred to in the quotation or sales form, if such specifications are expressly made a part of this Agreement, and (ii) free from defects in material and workmanship for a period of one (1) year from the date of installation or eighteen (18) months from the date of shipment (which date of shipment shall not be greater than thirty (30) days after receipt of notice that the goods are ready to ship), whichever shall occur first, unless a longer period is specified in the product documentation (the "Warranty").

Except as otherwise required by law, Seller shall, at its option and at no cost to Buyer, either repair or replace any product which fails to conform with the Warranty provided Buyer gives written notice to Seller of any defects in material or workmanship within ten (10) days of the date when any defects or non-conformance are first manifest. Under either repair or replacement option, Seller shall not be obligated to remove or pay for the removal of the defective product or install or pay for the installation of the replaced or repaired product and Buyer shall be responsible for all other costs, including, but not limited to, service costs, shipping fees and expenses. Seller shall have sole discretion as to the method or means of repair or replacement. Buyer's failure to comply with Seller's repair or replacement directions shall terminate Seller's obligations under this Warranty and render the Warranty void. Any parts repaired or replaced under the Warranty are warranted only for the balance of the warranty period on the parts that were repaired or replaced. Seller shall have no warranty obligations to Buyer with respect to any product or parts of a product that have been: (a) repaired by third parties other than Seller or without Seller's written approval; (b) subject to misuse, misapplication, neglect, alteration, accident, or physical damage; (c) used in a manner contrary to Seller's instructions for installation, operation and maintenance; (d) damaged from ordinary wear and tear, corrosion, or chemical attack; (e) damaged due to abnormal conditions, vibration, failure to properly prime, or operation without flow; (f) damaged due to a defective power supply or improper electrical protection; or (g) damaged resulting from the use of accessory equipment not sold or approved by Seller. In any case of products not manufactured by Seller, there is no warranty from Seller; however, Seller will extend to Buyer any warranty received from Seller's supplier of such products.

THE FOREGOING WARRANTY IS EXCLUSIVE AND IN LIEU OF ANY AND ALL OTHER EXPRESS OR IMPLIED WARRANTIES, GUARANTEES, CONDITIONS OR TERMS OF WHATEVER NATURE RELATING TO THE GOODS PROVIDED HEREUNDER, INCLUDING WITHOUT LIMITATION ANY IMPLIED WARRANTIES OF MERCHANTABILITY AND FITNESS FOR A PARTICULAR PURPOSE, WHICH ARE HEREBY EXPRESSLY DISCLAIMED AND EXCLUDED. EXCEPT AS OTHERWISE REQUIRED BY LAW, BUYER'S EXCLUSIVE REMEDY AND SELLER'S AGGREGATE LIABILITY FOR BREACH OF ANY OF THE FOREGOING WARRANTIES ARE LIMITED TO REPAIRING OR REPLACING THE PRODUCT AND SHALL IN ALL CASES BE LIMITED TO THE AMOUNT PAID BY THE BUYER FOR THE DEFECTIVE PRODUCT. IN NO EVENT SHALL SELLER BE LIABLE FOR ANY OTHER FORM OF DAMAGES, WHETHER DIRECT, INDIRECT, LIQUIDATED, INCIDENTAL, CONSEQUENTIAL, PUNITIVE, EXEMPLARY OR SPECIAL DAMAGES, INCLUDING BUT NOT LIMITED TO LOSS OF PROFIT, LOSS OF ANTICIPATED SAVINGS OR REVENUE, LOSS OF INCOME, LOSS OF BUSINESS, LOSS OF PRODUCTION, LOSS OF OPPORTUNITY OR LOSS OF REPUTATION.



Xylem Inc.  
2881 East Bayard Street Ext., Suite A  
Seneca Falls, NY 13148  
Phone: (800) 453-6777  
Fax: (888) 322-5877  
[www.gouldswatertechnology.com](http://www.gouldswatertechnology.com)

Goulds is a registered trademark of Goulds Pumps, Inc. and is used under license.  
© 2015 Xylem Inc. IM078 Revision Number 5 July 2015





Mantenga este manual para consultas

# Serie Marlow 20EVP

INSTRUCCIONES DE INSTALACIÓN OPERACIÓN Y MANTENIMIENTO



## Índice

TEMA	PAGINA
Precauciones recomendadas.....	11
Instrucciones de operación .....	11
Operación .....	12
Cebado .....	12
Rotación .....	12
Almacenamiento de invierno.....	12
Lubricación.....	12
Mantenimiento .....	12
Advertencia.....	12
Precaución .....	12
Instrucciones para electricistas con licencia .....	12
Guía de solución de fallas.....	13
Refacciones .....	14
Garantía limitada.....	16

### Información del propietario

Favor de copiar a continuación los datos de la placa de datos de su bomba.

La información de la garantía está en la página 16.

Número de modelo de la bomba \_\_\_\_\_

Número de serie \_\_\_\_\_

Distribuidor \_\_\_\_\_

Teléfono del dist. \_\_\_\_\_

Fecha de compra \_\_\_\_\_

Fecha de instalación \_\_\_\_\_

## FELICIDADES

Ya es usted el propietario de una bomba Goulds Water Technology. Ésta bomba se inspeccionó cuidadosamente y se sujetó a las pruebas finales antes de liberarla para su embarque. Para asegurar un desempeño máximo, por favor siga las instrucciones de este manual.

### PRECAUCIONES RECOMENDADAS

1. Evite presiones en el sistema que excedan la presión máxima de trabajo de la bomba.
2. Si la temperatura del fluido se eleva a más de 50°F por encima de la temperatura ambiente, se deben instalar las juntas de expansión tanto en el puerto de succión como en el de descarga para liberar cualquier tensión de la carcasa de la bomba.
3. Un electricista autorizado deberá realizar todo el cableado eléctrico de la instalación de la bomba de conformidad con todos los códigos nacionales y locales de electricidad. Todos los motores eléctricos requieren de un arrancador magnético con protección de sobre carga de corriente.
4. No se deben hacer modificaciones, añadidas ni omisiones a la bomba sin la aprobación previa de la fábrica.
5. En los sistemas en los que pueda generarse una presión de ondas de choque, se deben instalar dispositivos de protección en la línea de descarga tales como válvulas de retención/ válvulas de compuertas, etc., para evitar que las presiones de choque entren a la carcasa de la bomba.
6. En los sistemas que contienen válvulas de retención de descarga, válvulas de compuerta, etc., la bomba no se cebará contra una válvula cerrada. Verifique que las válvulas de descarga estén abiertas antes de intentar cebar la bomba. Si existe la posibilidad de que quede aire atrapado en la carcasa de la bomba, instale un dispositivo de ventilación automático para purgar el aire.
7. Esta bomba ha sido diseñada principalmente para manejar agua. Antes de bombear otros líquidos, lea cuidadosamente la siguiente **PRECAUCIÓN**.
8. Las bombas sobrecalentadas son peligrosas. La presión del vapor podría ocasionar quemaduras o explosión. Una causa de sobrecalentamiento grave en las bombas es la operación de las mismas con las tuberías de succión y descarga cerradas. En caso de que la carcasa de la bomba se sobrecaliente: 1. Detenga la bomba de inmediato. 2. Permita que se enfríe. 3. Ventílela despacio y con cuidado.
9. Drene completamente la carcasa de la bomba cuando maneja líquidos volátiles o peligrosos.
10. No la use en atmósferas inflamables.
11. Haga revisiones diarias de la hermeticidad de los tubos de descarga y de succión, drenaje, tapones de filtro y juntas de la bomba. No se deberá proceder con la operación hasta que todos los puntos anteriores se hayan revisado y estén correctos.
12. Después de dar servicio a la bomba, siempre instale las guardas de acoplamiento, guardas de bandas y otros dispositivos de seguridad como se encontraban originalmente antes del desensamble.



El desempeño nominal de las bombas Goulds Water Technology se basa en

el bombeo de agua fresca, fría y transparente con las condiciones de succión que se muestran en la curva de desempeño. Si usa la bomba para otros líquidos, el desempeño de la misma puede diferir del nominal en base a la diferencia de gravedad, temperatura, viscosidad, etc. Puede ser que una bomba estándar no sea segura para bombear todos los tipos de líquidos, como tóxicos, volátiles o químicos, o líquidos bajo temperaturas o presiones extremas. Por favor consulte el catalogo de Goulds Water Technology así como códigos locales y referencias generales para determinar las bombas apropiadas para su aplicación en particular.

Ya que es imposible para nosotros anticipar cada aplicación de una bomba Goulds, si usted planea usarla para una aplicación que no sea agua, consulte previamente a Goulds Water Technology para determinar si dicha aplicación puede ser apropiada o segura según las circunstancias. No hacerlo puede resultar en daños a la propiedad o lesiones al personal.

### INSTRUCCIONES DE OPERACIÓN

#### GENERALIDADES

- Nuestro contenedor de embarque se diseñó específicamente para evitar daños de transporte. Sin embargo, cualquier indicación de daño o faltantes debe anotarse detalladamente en la nota de entrega y se debe enviarle de inmediato una reclamación correspondiente al transportista.

#### UBICACIÓN APROPIADA

- Al colocar su bomba Goulds en una cimentación firme y nivelada o entre tuberías firmemente soportadas, se reducen las vibraciones peligrosas y los ruidos innecesarios.
- Las bombas de la serie EV son de autocebatura y pueden colocarse por encima de la fuente de abastecimiento de líquido; sin embargo, el mejor funcionamiento de la bomba se obtiene colocando la bomba tan cerca como sea posible del líquido que se va a manejar, teniendo en cuenta que la bomba es más efectiva en empujar un líquido que en succionarlo. Considere el espacio necesario alrededor de la bomba para permitir inspeccionar y darle mantenimiento a la unidad.

#### TUBERÍA

- Todas las tuberías se deben soportar de manera independiente para eliminar cualquier exceso de tensión en la bomba, evitar las pérdidas de fricción innecesarias, mantener sus tuberías tan cortas como sea posible y minimizar el uso de codos y conexiones. En todas las juntas se debe usar un compuesto que no se disuelva en el líquido que se bombea. Las válvulas de compuerta combinadas con uniones o bridas en ambos lados de la bomba, facilitarían la remoción de la misma sin alterar la tubería. En algunas ocasiones, resulta ventajoso usar un tubo de succión de un tamaño más grande que el ancho del tubo al que se va a conectar. Se deben usar reductores excéntricos para los cambios de diámetro de la tubería.

#### FILTRO RECOMENDABLE

- Proteja su inversión; instale un filtro en la línea de succión. Esto evitará que la bomba se atasque, que el rendimiento baje y que se produzca un desgaste excesivo. Un colador de malla 16 sumergido un pie debajo del nivel del líquido es adecuado para las bombas de la Serie EV. Puede conseguir coladores en-línea con

su distribuidor de Goulds Water Technology. La tubería con una pendiente continua facilita el drenaje del sistema.

## VÁLVULAS

- Instale una válvula de retención en el lado de descarga de la bomba para evitar que ésta se dañe por altas contrapresiones repentinas. Si la bomba está desconectada, esta válvula de retención evitará que se drene la línea de descarga.
- Algunas instalaciones pueden necesitar que se reduzca el flujo a través de la bomba. Para tal fin se pueden usar válvulas de compuerta en el lado de descarga. La válvula de retención deberá colocarse entre la bomba y la válvula de compuerta.
- Si la bomba opera con una presión de descarga baja, puede producir mucho ruido. Incremente la presión por medio de la válvula de compuerta de descarga hasta que se elimine el ruido. Esta restricción no causará ninguna pérdida apreciable de capacidad.

## OPERACIÓN

### CEBADURA

- Llene el tanque de la bomba con líquido antes del arranque; para tal efecto puede usar el codo del lado del tanque. Utilice un compuesto para tubería cuando coloca de nuevo el tapón en el codo lateral. Estas bombas Goulds se ceban de manera automática siempre que el tanque de la bomba esté lleno de líquido. Si perdiera el líquido del tanque de manera accidental o por drenarlo a propósito, será necesario rellenarlo con líquido antes de arrancar la bomba. Las elevaciones de succión altas o líneas de succión largas, requieren tiempo adicional y reducen el desempeño de la bomba. Si tiene dificultades, consulte la Guía de Investigación y Solución de Fallas.
- Siempre mantenga con líquido el tanque de la bomba. No es necesaria más lubricación en el extremo de la bomba y en el sello. Si el flujo no inicia dentro de los primeros cinco minutos, detenga el motor y determine la causa, (vea la Guía de Investigación y Solución de Fallas). Asegúrese de que todas las válvulas de descarga y de succión estén abiertas cuando la bomba se está cebando. La operación de la bomba con una válvula cerrada en el sistema la puede dañar.

### ROTACIÓN

- Su bomba ha sido diseñada específicamente para girar como lo indica la flecha en el tanque de la bomba. Los motores trifásicos pueden girar en cualquier dirección; por lo tanto, verifique la rotación. Puede invertir la rotación al intercambiar cualquier par de cables del motor trifásico, si fuera necesario.

### ALMACENAMIENTO DE INVIERNO

- Con temperaturas ambientales bajo cero, es especialmente importante drenar todo el líquido del tanque de la bomba. Esto evitará que el hielo que se puede formar rompa el tanque o partes internas.
- Para mantener un desempeño excelente de la bomba, siga las instrucciones de almacenamiento del fabricante del motor.

## LUBRICACIÓN

- Nuestro sello de eje autolubrificante lleva los últimos avances de la ingeniería. El líquido que se va a bombear enfría y lubrica el sello; por lo tanto, la bomba nunca deberá operarse en seco. Se ha proporcionado un sello bien ventilado para proteger el motor eléctrico de daños por el líquido que se pudiera fugar del sello. **NO TAPE** esta ventilación. Si la fuga es excesiva, reemplace el conjunto del sello.

## MANTENIMIENTO

- Si la bomba no se va a usar por unos días, drene totalmente el líquido; esto evitará la oxidación, la cual es grave y costosa.



**ADVERTENCIA** Todo el trabajo eléctrico lo debe hacer un electricista calificado. Antes de trabajar en los motores, se debe tener la certeza de que el suministro de energía está desconectado en la caja principal de conexiones. Desconecte el fusible o interruptor de circuito y ponga una etiqueta al interruptor principal con la leyenda “No energizar este interruptor, Personal trabajando en el equipo”.



**PRECAUCIÓN** Algunos motores están equipados con sobrecargas térmicas integradas para apagar el motor en el caso de un exceso de temperatura (que puede resultar de problemas eléctricos o mecánicos, como voltaje bajo, mala ventilación, líneas con exceso de carga, etc.) Estos motores arrancarán de nuevo de manera automática cuando su temperatura baje a cierto valor. Por seguridad, no trabaje en el motor sin primero desconectar el suministro eléctrico de la fuente mencionada antes en la ADVERTENCIA. También, todos los motores trifásicos no tienen protección térmica y se recomienda poner arrancadores de motor.

## INSTRUCCIONES PARA ELECTRICISTAS CON LICENCIA

### APAGAR

1. Determine el voltaje de la línea de alimentación eléctrica al motor. El voltaje, fase, salida de amperes y ciclos se indican en la placa de datos del motor.

El cable que se usa para alimentar al motor debe ser lo suficientemente grueso para los amperes y la longitud que se requiere, sin que se produzca una caída excesiva de voltaje. La siguiente tabla pretende ser sólo una guía para la selección de los tamaños mínimos apropiados de cable. Consulte siempre los códigos eléctricos locales.

HP	Longitud del cable 50 pies		Longitud del cable 100 pies	
	115 V	230 V	115 V	230 V
1/3	14	-	12	-
1/2	14	14	10	14
3/4	12	14	10	14
1	12	14	8	14
1 1/2	10	14	8	12
2	8	12	8	12

## GUÍA DE SOLUCIÓN DE FALLAS

Las siguientes son algunas causas comunes de problemas que pueden surgir.

SÍNTOMAS	CAUSA PROBABLE	ACCION QUE SE RECOMIENDA
No se ceba	No hay líquido Hay fuga de aire en la línea de succión Línea de succión obstruida Sello gastado	Llene el tanque con líquido Apriete todas las juntas o colóquelas de nuevo usando un compuesto nuevo Limpie el colador o la línea de succión Instale un sello nuevo
Deja de bombear repentinamente	Colador o impulsor atorado Chaveta del impulsor perdida o rota	Quite la basura Reemplace
Deja de bombear paulatinamente	Impulsor, difusor o líneas obstruidas o tapón de relleno suelto	Quite la basura y use un colador, apriete el tapón de relleno
Fuga excesiva en el sello de la ventilación del pozo	Sello gastado	Reemplace el sello
No mantiene la bomba cebada	Sello gastado Elevación de succión muy alta Fuga de aire en la línea de succión	Reemplace el sello Reubique la bomba más cerca del suministro Escape del arreglo
Pobre desempeño	Sello o impulsor gastado Elevación de succión muy alta	Reemplace el sello o impulsor por uno nuevo Reubique la bomba más cerca del suministro
Flujo o presión bajos	El motor no alcanza la velocidad, voltaje bajo Fuga de aire Línea obstruida Sello gastado Rotación incorrecta (motor trifásico)	Alambres conductores más largos Apriete todas las juntas o reinstálelas usando compuestos nuevos Limpie el colador o la línea de succión Instale un sello nuevo Intercambie cualquier par de conductores para invertir la rotación
Operación ruidosa	Cojinetes del motor gastados Presión estática de descarga baja Basura atorada en el impulsor Cavitación	Reemplace Reducir el flujo descarga Desensamble la bomba y límpiela Mejore las condiciones de succión.

## LISTA DE PARTES DE REPUESTO

Clave	Descripción	Clave	Descripción
1	Tapón de drenaje	11①	Conjunto de sello
2	Cubierta	12	Tanque
3①	Junta, cubierta	13①	Calza, motor
4①	Tuerca del impulsor	14①	Chaveta del impulsor
5①	Arandela del impulsor	15	Tornillo
6②	Impulsor	16	Tornillo
7②	Difusor	17①	Eslingador
8①	Junta , difusor	18	Codo
9①	Impulsor, calza	19	Tapón del filtro
10①	Impulsor, espaciador	20	Motor

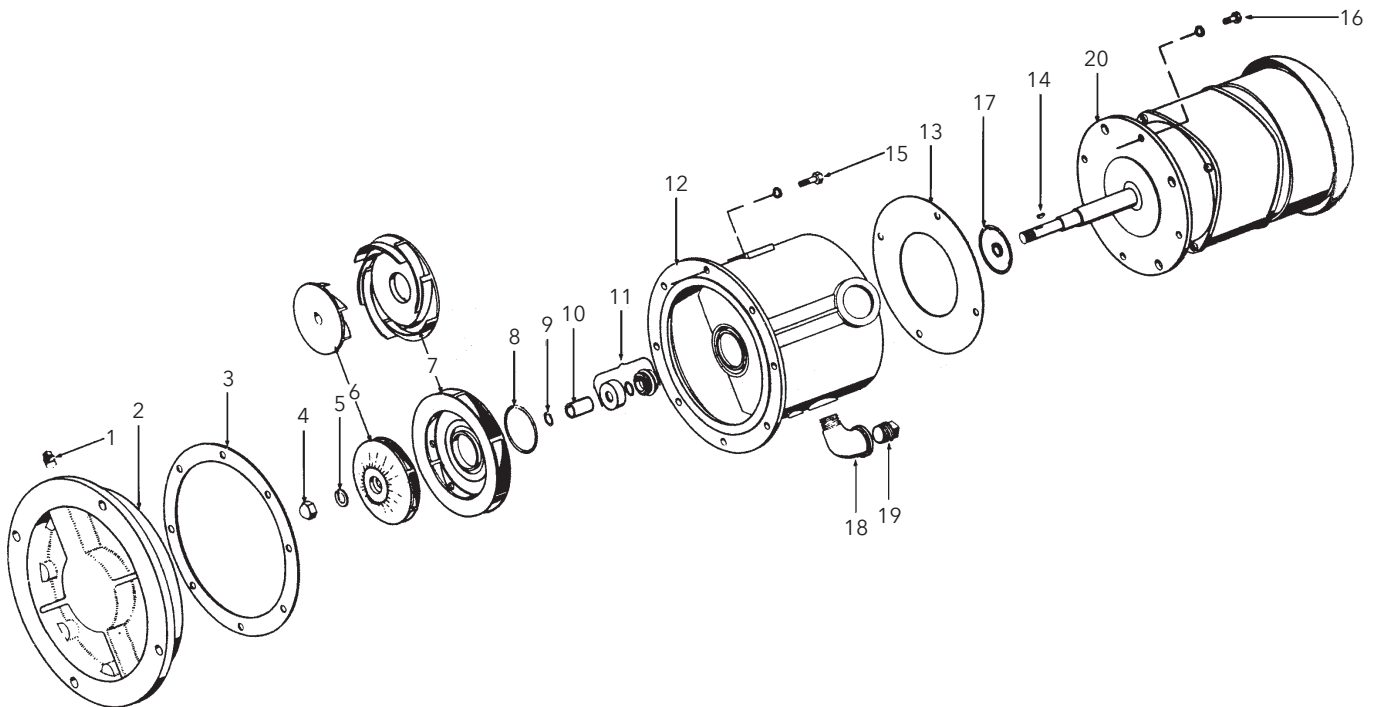
①Partes de repuesto recomendadas

②Partes que se le recomienda al distribuidor tener en existencia, partes de exportación y partes críticas para el servicio

### IMPORTANTE:

Cómo usar el dibujo para solicitar partes de repuesto:

Las ilustraciones anteriores de grupos de partes cubren diferentes modelos de Goulds Water Technology, incluyendo la bomba de usted. La tabla en la página izquierda indica el nombre de cada parte. Si necesitara cambiar una de ellas, consulte el dibujo y localice la parte que coincida con la parte de su bomba. Contacte a su distribuidor local de Goulds Water Technology y déle el número de clave y descripción de las partes que requiera, junto con el número de modelo y número de serie de su bomba, que se localizan en la placa de datos de la misma.





## **GARANTÍA COMERCIAL**

Para los productos vendidos a compradores comerciales, el Vendedor garantiza que los productos vendidos al Comprador en virtud del presente (con excepción de membranas, sellos, juntas, materiales de elastómero, revestimientos y otras "partes de desgaste" o consumibles, que no se garantizan, con excepción de lo dispuesto por el contrario en la cotización o formulario de venta) (i) se construirán de acuerdo con las especificaciones referidas en la cotización o formulario de venta, si tales especificaciones se realizan expresamente como parte de este Acuerdo, y (ii) están libres de defectos en material y mano de obra por un período de un (1) año desde la fecha de instalación odieciocho (18) meses desde la fecha de envío (y tal fecha de envío no deberá ser posterior a treinta (30) días posteriores a la recepción del aviso que los productos están listos para ser enviados), lo que ocurra primero, a menos que se especifique un período mayor en la documentación del producto (la "Garantía").

Con excepción de lo requerido por ley, el Vendedor, a su opción y sin costo alguno para el Comprador, reparará o reemplazará el producto que no se ajuste a la Garantía en tanto que el Comprador envíe un aviso escrito al Vendedor sobre todo defecto en material o mano de obra dentro de diez (10) días de la fecha en que aparecen por primera vez los defectos o no conformidades. Según la opción de reparación o reemplazo, el Vendedor no estará obligado a remover o pagar la remoción del producto defectuoso ni instalar o pagar la instalación del producto reemplazado o reparado y el Comprador será responsable de todos los demás costos, que incluyen, entre otros, los costos de servicio, aranceles y gastos de envío. El Vendedor tendrá la exclusiva facultad de decisión con respecto al método o medio de reparación o reemplazo. El incumplimiento del Comprador de las instrucciones de reparación o reemplazo del Vendedor rescindirá las obligaciones del Vendedor en virtud de esta Garantía y anulará esta Garantía. Toda pieza reparada o reemplazada en virtud de la Garantía es garantizada solo por el resto del período de garantía por las piezas reparadas o reemplazadas. El Vendedor no tendrá obligaciones de garantía frente al Comprador con respecto a ningún producto o pieza de un producto que haya sido: (a) reparado por terceros que no sean el Vendedor o sin la aprobación escrita del Vendedor; (b) sujeto a uso incorrecto, aplicación incorrecta, descuido, alteración, accidente o daño físico; (c) usado de forma contraria a las instrucciones del Vendedor para la instalación, operación y mantenimiento; (d) dañado por el uso y desgaste normal, corrosión o ataque químico; (e) dañado debido a condiciones anormales, vibración, falta de cebado correcto o funcionamiento sin flujo; (f) dañado debido a una fuente de alimentación defectuosa o protección eléctrica incorrecta; o (g) dañado debido al uso de equipos accesorios no vendidos o aprobados por el Vendedor. En el caso de productos no fabricados por el Vendedor, no hay garantía del Vendedor; sin embargo, el Vendedor extenderá al Comprador toda garantía recibida del proveedor del Vendedor de tales productos.

LA GARANTÍA ANTERIOR ES EXCLUSIVA Y REEMPLAZA TODA OTRA GARANTÍA, CONDICIÓN O TÉRMINO EXPRESO O IMPLÍCITO DE CUALQUIER NATURALEZA RELACIONADO CON LOS PRODUCTOS PROVISTOS EN VIRTUD DEL PRESENTE, INCLUYENDO, SIN CARÁCTER LIMITATIVO, LAS GARANTÍAS IMPLÍCITAS DE COMERCIALIZACIÓN E IDONEIDAD PARA UN PROPÓSITO EN PARTICULAR, QUE POR EL PRESENTE SE RECHAZAN Y EXCLUYEN EXPRESAMENTE. CON EXCEPCIÓN DE LO DISPUESTO POR LA LEY EN CONTRARIO, EL EXCLUSIVO REMEDIO DEL COMPRADOR Y LA RESPONSABILIDAD TOTAL DEL VENDEDOR POR EL INCUMPLIMIENTO DE ALGUNA DE LAS GARANTÍAS ANTERIORES SE LIMITA A REPARAR O REEMPLAZAR EL PRODUCTO Y EN TODO CASO SE LIMITARÁ AL IMPORTE PAGADO POR EL COMPRADOR POR EL PRODUCTO DEFECTUOSO. EN NINGÚN CASO EL VENDEDOR SERÁ RESPONSABLE POR OTRA FORMA DE DAÑOS, YA SEA DIRECTOS, INDIRECTOS, LIQUIDADOS, INCIDENTALES, RESULTANTES, PUNITIVOS, EJEMPLARES O ESPECIALES, INCLUYENDO, ENTRE OTROS, LA PÉRDIDA DE GANANCIAS, LA PÉRDIDA DE AHORROS ANTICIPADOS O GANANCIAS, LA PÉRDIDA DE INGRESOS, LA PÉRDIDA DEL NEGOCIO, LA PÉRDIDA DE PRODUCCIÓN, LA PÉRDIDA DE OPORTUNIDAD O LA PÉRDIDA DE REPUTACIÓN.



Xylem Inc.  
2881 East Bayard Street Ext., Suite A  
Seneca Falls, NY 13148  
Teléfono: (800) 453-6777  
Fax: (888) 322-5877  
[www.gouldswatertechnology.com](http://www.gouldswatertechnology.com)

Goulds es una marca registrada de Goulds Pumps, Inc. y se utiliza bajo licencia.  
© 2015 Xylem Inc. IM078 Revisión Número 5 Julio 2015





À conserver à titre consultatif

# Marlow, série 20EVP

DIRECTIVES D'INSTALLATION, D'UTILISATION ET D'ENTRETIEN



## Table des matières

<b>SUJET</b>	<b>PAGE</b>
Précautions recommandées.....	19
Directives d'utilisation .....	19
Utilisation.....	20
Amorçage .....	20
Sens de rotation .....	20
Entreposage hivernal.....	20
Lubrification .....	20
Entretien.....	20
Directives pour les électriciens.....	20
Diagnostic des anomalies.....	21
Liste de pièces de rechange.....	22
Garantie limitée.....	24

### Informations pour le propriétaire

Inscrire ci-dessous les informations pertinentes indiquées sur la plaque signalétique de la pompe. La garantie se trouve en page 24.

N° de modèle de la pompe: \_\_\_\_\_

N° de série de la pompe: \_\_\_\_\_

Détaillant: \_\_\_\_\_

N° de tél. du détaillant: \_\_\_\_\_

Date d'achat: \_\_\_\_\_

Date d'installation: \_\_\_\_\_

## FÉLICITATIONS !

Vous êtes maintenant propriétaire d'une pompe Goulds Water Technology, soigneusement inspectée et soumise aux derniers essais avant de recevoir l'autorisation d'expédition. Pour en maximiser les performances, suivre les directives du présent manuel.

### PRÉCAUTIONS RECOMMANDÉES

1. S'assurer que la pression du système ne dépasse pas la pression de service maximale de la pompe.
2. Si la température du liquide devait excéder la température ambiante de plus de 50°F, poser un joint de dilatation sur les orifices d'aspiration et de refoulement de la pompe pour protéger celle-ci des contraintes.
3. Tout le matériel électrique doit être connecté par un électricien selon le code provincial ou national de l'électricité pertinent et les règlements locaux. Tous les moteurs nécessitent un démarreur magnétique avec protection contre les surcharges.
4. On ne peut modifier la pompe, y ajouter des éléments ni en enlever sans avoir obtenu l'approbation de l'usine à cette fin.
5. Si des ondes de choc peuvent se propager dans le système, on doit poser des protections (clapets de non-retour, robinets-vannes, etc.) sur le tuyau de refoulement pour empêcher les coups de bélier de parvenir au corps de pompe.
6. On ne peut amorcer une pompe dont le tuyau de refoulement est bloqué par des appareils fermés du genre clapet de non-retour, robinet-vanne, etc. Voir à ce que ces appareils soient ouverts avant l'amorçage. Si de l'air peut s'accumuler dans le corps de pompe, poser un purgeur d'air automatique.
7. Les 20EVP sont conçues principalement pour le pompage de l'eau. Avant de les utiliser pour d'autres liquides, lire attentivement la mise en garde («! ATTENTION») ci-dessous.
8. La surchauffe de la pompe est surtout due à l'arrêt de la circulation du liquide dans les tuyaux (aspiration et refoulement). Elle est dangereuse : elle peut générer de la vapeur, causer des brûlures et provoquer une explosion. S'il y a surchauffe, 1) arrêter la pompe ; 2) la laisser refroidir ; 3) en purger la vapeur lentement et avec précaution.
9. Si la pompe contient des liquides volatiles ou dangereux, la vidanger avant d'en effectuer l'entretien.
10. Ne pas utiliser la pompe en milieu combustible.
11. Vérifier journalièrement l'étanchéité de la tuyauterie, des bouchons de vidange, de l'évent à filtre et des joints de la pompe. Ne pas mettre celle-ci en marche tant que la vérification en question n'a pas été effectuée.
12. Après l'entretien de la pompe, il faut reposer le carter d'accouplement, le protège-courroie et les autres protections d'origine installés avant le démontage.



**ATTENTION** Les performances des pompes Goulds sont basées sur le pompage d'eau douce, limpide et froide dans les conditions d'aspiration figurant dans les courbes de performances. Avec les autres liquides, les performances peuvent varier, compte tenu de la densité, de la température et de la viscosité du liquide. L'usage d'une pompe standard peut être risqué si le liquide est très chaud, toxique, volatile,

d'origine chimique ou sous une très forte pression. Il vaut mieux consulter le catalogue Goulds Water Technology ainsi que les codes locaux et les ouvrages de référence généraux pour sélectionner la pompe convenant à un usage particulier. Goulds Water Technology ne peut prévoir tous les usages faits de ses pompes. Il est donc recommandé de s'adresser à Goulds Water Technology si l'on prévoit utiliser une pompe pour un liquide autre que l'eau, et ce, afin de savoir s'il y a risque ou non. L'inobservation de cette recommandation pourrait entraîner des blessures et des dommages matériels.

### DIRECTIVES D'UTILISATION

#### GÉNÉRALITÉS

Notre emballage est conçu pour prévenir les dommages durant le transport. Toutefois, il faut noter toute indication d'endommagement avec soin sur le bordereau de livraison et effectuer une demande de règlement sans tarder auprès du transporteur.

#### LIEU D'INSTALLATION APPROPRIÉ

- La pose de la pompe Goulds sur un massif de béton solide et de niveau ou entre deux conduites solidement supportées réduira les vibrations nuisibles et le bruit excessif.
- Bien que la pompe autoamorçante de la série EV puisse être placée plus haut que la source de liquide, on obtiendra les meilleurs résultats en l'installant aussi près que possible du liquide à pomper, car elle refoule le liquide plus efficacement qu'elle l'aspire. On prévoira suffisamment d'espace autour de la pompe pour les inspections et l'entretien de cette dernière.

#### TUYAUTERIE

- La tuyauterie devrait posséder ses propres supports afin d'éliminer les contraintes excessives sur la pompe. Prévenir les pertes de charge (par frottement) inutiles. Garder la tuyauterie aussi courte que possible et pourvue du minimum de coudes, de raccords et d'accessoires. Utiliser de la pâte à joint que le liquide à pomper ne pourra dissoudre. L'usage de robinets-vannes et de raccords unions ou de brides de chaque côté de la pompe facilitera la dépose de celle-ci, et ce, sans déplacer la tuyauterie. Il est parfois avantageux d'employer un tuyau d'aspiration du calibre immédiatement supérieur à celui de l'orifice d'aspiration de la pompe. Utiliser un raccord réducteur excentré pour changer le calibre de la tuyauterie.

#### CRÉPINE (RECOMMANDÉE)

- Protéger son investissement en installant une crépine à l'entrée du tuyau d'aspiration. On évitera ainsi l'engorgement, le rendement médiocre et l'usure excessive de la pompe. Une crépine de 16 mailles par pouce, immergée à un pied de profondeur, convient aux pompes de la série EV. On peut se procurer les crépines chez le détaillant Goulds Water Technology. La tuyauterie inclinée graduellement vers le haut à partir de la source de liquide facilite la vidange du système.

#### APPAREILS DE ROBINETTERIE

- Poser un clapet de non-retour du côté refoulement de la pompe pour empêcher les coups de bélier d'endommager la pompe et empêcher aussi la tuyauterie de refoulement de se vider durant la dépose de la pompe.

- Certaines installations peuvent nécessiter l'étranglement de la section de passage du côté refoulement de la pompe. On peut employer des robinets-vannes à cette fin. En pareil cas, poser le clapet de non-retour entre la pompe et le robinet-vanne.
- Une pression de refoulement faible peut faire augmenter le bruit de la pompe. Fermer alors graduellement le robinet-vanne du tuyau de refoulement jusqu'à ce que le bruit excessif disparaisse. Cette restriction ne causera pas de perte de débit appréciable.

## UTILISATION

### AMORÇAGE

- Remplir le corps de pompe de liquide avant la mise en marche. Le bouchon du coude fixé au corps de pompe sert à cela. Enduire les filets du bouchon avec de la pâte à joint avant de le visser sur le coude. La pompe autoamorçante Goulds s'amorce d'elle-même si elle est remplie de liquide. En cas de vidange accidentelle ou intentionnelle de la pompe, la remplir avant de la remettre en marche. Une hauteur d'aspiration et une tuyauterie d'aspiration de grande dimension requièrent un temps d'amorçage plus long et réduisent le rendement de la pompe. En cas de problème, voir Diagnostic des anomalies.
- Veiller à ce qu'il y ait toujours du liquide dans la pompe pour en assurer la lubrification et celle de la garniture mécanique. Aucune autre forme de lubrification n'est nécessaire. Si le débit ne devient pas régulier après cinq minutes d'essai d'amorçage, consulter le Diagnostic des anomalies. S'assurer que les robinets d'aspiration et de refoulement sont ouverts durant l'amorçage, et ce, afin de ne pas endommager la pompe.

### SENS DE ROTATION

- La pompe est conçue pour tourner dans le sens indiqué sur le corps de pompe. Comme les moteurs triphasés peuvent tourner dans les deux sens, vérifier leur sens de rotation et, au besoin, l'inverser en intervertissant deux des fils de moteur.

### ENTREPOSAGE HIVERNAL

- Par temps de gel, il est particulièrement important que le corps de pompe soit entièrement vidangé pour en prévenir l'endommagement et celui des pièces internes.
- Afin de maintenir l'excellent rendement de la pompe, suivre les directives du fabricant du moteur quant à l'entreposage.

### LUBRIFICATION

- La garniture mécanique autolubrifiante est le fruit des derniers progrès techniques. Étant donné que le liquide pompé refroidit et lubrifie la garniture, la pompe ne doit jamais fonctionner à sec. L'orifice de fuite du logement de garniture protégera le moteur électrique du liquide s'il y a fuite de la garniture. **NE PAS** boucher l'orifice. Si la garniture fuit trop, la remplacer.

## ENTRETIEN

- Si la pompe n'est pas employée pendant quelques jours, la vidanger pour prévenir la formation de rouille, aggravante et coûteuse.

**AVERTISSEMENT** Un électricien doit réaliser tout le montage électrique. S'assurer que le courant est coupé à la boîte de jonction secteur avant de travailler sur la pompe ou le moteur. Mettre le fusible ou le disjoncteur hors circuit et poser sur l'interrupteur secteur une étiquette disant : « Ne pas rétablir le courant — travaux en cours sur le matériel ».

**ATTENTION** Certains moteurs sont protégés contre les surcharges thermiques et s'arrêtent lorsqu'il y a surchauffe d'origine mécanique ou électrique telle qu'une mauvaise ventilation, une basse tension, un câblage surchargé, etc. Ils redémarrent inopinément quand ils se refroidissent. Pour des raisons de sécurité, ne travailler sur aucun moteur sans que le courant soit d'abord coupé à la source. Procéder alors selon l'« AVERTISSEMENT » précédent. Les moteurs triphasés n'ont pas de protection thermique. Un démarreur est recommandé dans leur cas.

## DIRECTIVES POUR LES ÉLECTRICIENS

### COUPER LE COURANT.

1. Déterminer la tension sur les fils d'alimentation du moteur. Tension, nombre de phases, débit en ampères et fréquence du courant figurent sur la plaque signalétique du moteur.

Le calibre des fils d'alimentation du moteur doit être suffisamment gros pour transporter le courant sur la longueur de câble requise sans chute de tension excessive. La table suivante sert de guide uniquement pour le choix du calibre de fil minimal approprié. Il faut toujours consulter le code provincial ou national de l'électricité pertinent et les règlements locaux.

Calibre de fil AWG type des moteurs de pompe à jet monophasés				
hp	Longueur de fil de 50 pi		Longueur de fil de 100 pi	
	115 V	230 V	115 V	230 V
1/3	14		12	
1/2	14	14	10	14
3/4	12	14	10	14
1	12	14	8	14
1 1/2	10	14	8	12
2	8	12	8	12

## DIAGNOSTIC DES ANOMALIES

Ci-dessous, on trouvera certaines causes d'anomalies communes.

ANOMALIES	CAUSES PROBABLES	CORRECTIFS RECOMMANDÉS
<b>La pompe ne s'amorce pas.</b>	Liquide absent du corps de pompe  Air entrant dans la tuyauterie d'aspiration  Tuyauterie d'aspiration bouchée  Garniture mécanique usée	Remplir la pompe de liquide.  Serrer tous les joints ou les refaire avec de la pâte à joint neuve.  Nettoyer la crépine ou la tuyauterie d'aspiration.  Remplacer la garniture.
<b>Le liquide s'arrête soudainement de s'écouler.</b>	Crépine ou roue engorgée  Clavette de roue manquante ou brisée	Enlever les résidus.  Poser ou remplacer la clavette.
<b>Le liquide s'arrête lentement de circuler.</b>	Roue, diffuseur ou conduites engorgés, bouchon de remplissage mal serré	Enlever les résidus, utiliser une crépine, resserrer le bouchon.
<b>Trop de liquide sort par l'orifice de fuite.</b>	Garniture mécanique usée	Remplacer la garniture.
<b>La pompe se désamorce.</b>	Garniture mécanique usée  Hauteur d'aspiration excessive  Air entrant dans la tuyauterie d'aspiration	Remplacer la garniture.  Rapprocher la pompe de sa source de liquide.  Colmater la fuite.
<b>Le rendement est faible.</b>	Roue ou garniture mécanique usée  Hauteur d'aspiration excessive	Poser une roue ou une garniture neuve.  Rapprocher la pompe de sa source de liquide.
<b>Le débit ou la pression est faible.</b>	Moteur trop lent (basse tension)  Air aspiré dans les conduites  Conduite engorgée  Garniture mécanique usée  Mauvais sens de rotation (moteur triphasé)	Employer un calibre de fil d'alimentation plus gros.  Serrer tous les joints ou les refaire avec de la pâte à joint neuve.  Nettoyer la crépine ou la tuyauterie d'aspiration.  Remplacer la garniture.  Intervertir deux des fils d'alimentation du moteur.
<b>Le bruit de fonctionnement est élevé.</b>	Roulements ou coussinets de moteur usés  Hauteur de refoulement faible  Résidus accumulés dans la roue  Cavitation	Les remplacer.  Étrangler la section de passage du tuyau de refoulement.  Démonter et nettoyer la pompe.  Améliorer les conditions nécessaires pour l'aspiration.

## LISTE DE PIÈCES DE RECHANGE

N°	Description	N°	Description
1	Bouchon de vidange	11①	Garniture mécanique
2	Couvercle (corps de pompe)	12	Corps de pompe
3①	Joint d'étanchéité (couvercle)	13①	Cale (moteur)
4①	Écrou de roue	14①	Clavette (roue)
5①	Rondelle de roue	15	Vis d'assemblage
6②	Roue	16	Vis d'assemblage
7②	Diffuseur	17①	Déflexeur de liquide
8①	Joint d'étanchéité (diffuseur)	18	Coude
9①	Cale (roue)	19	Bouchon de remplissage
10①	Entretoise (roue)	20	Moteur

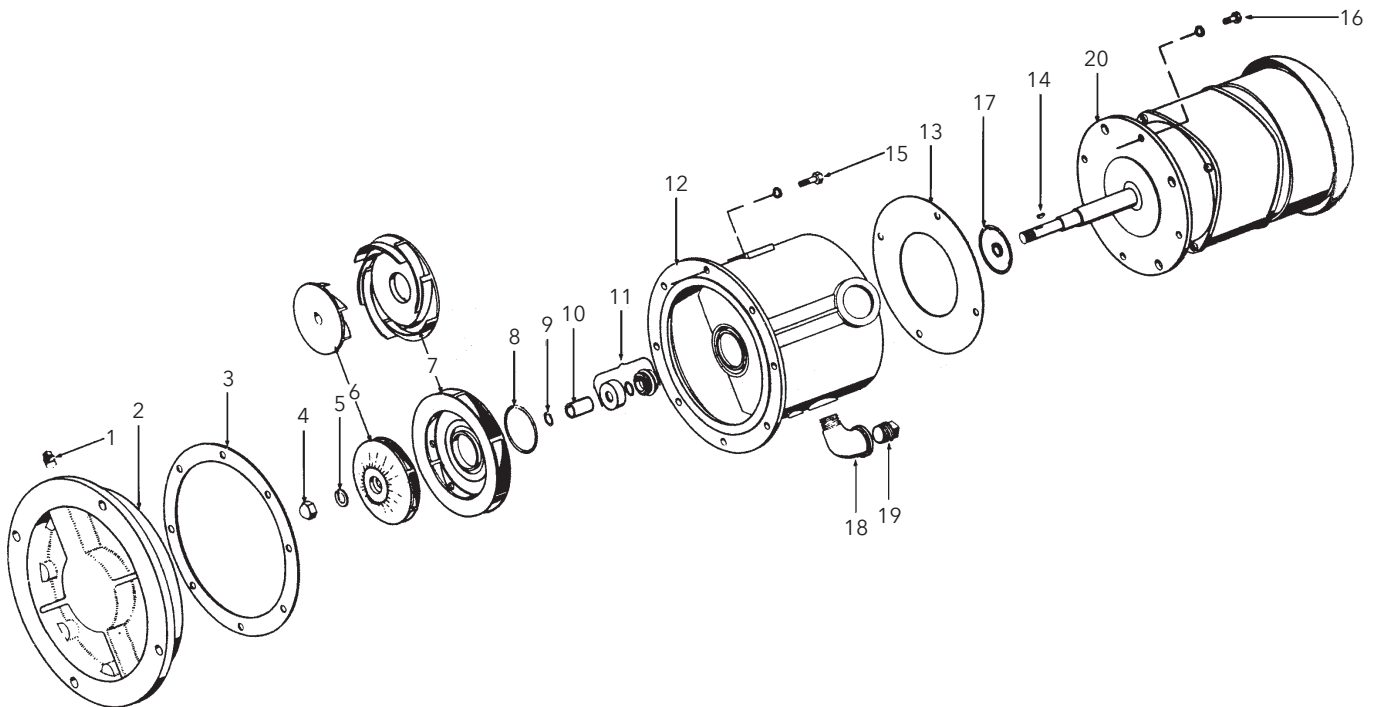
① Pièces de rechange recommandées

② Service critique, pièces de rechange pour l'exportation et stocks du distributeur recommandés

### IMPORTANT :

#### Mode de commande des pièces

La liste de pièces et le dessin figurant dans la présente page s'appliquent à divers modèles de pompes Goulds Water Technology, y compris la 20EVP. Au besoin, se servir de la liste et du dessin pour trouver le numéro et le nom d'une pièce à remplacer, puis les indiquer au détaillant Goulds Water Technology, ainsi que les numéros de modèle et de série de la pompe, mentionnés sur la plaque signalétique de cette dernière.



## NOTES

## **GARANTIE POUR UTILISATION COMMERCIALE**

Pour les biens vendus aux acheteurs commerciaux, le vendeur garantit les biens vendus ci-dessous (sauf pour les membranes, joints d'étanchéités, joints, matériaux en élastomère, revêtements et autres « pièces d'usure » ou articles consommables, ces derniers n'étant pas garantis sauf indication contraire sur le formulaire de soumission ou de vente) seront (i) intégrés selon les spécifications indiquées sur la soumission ou le formulaire de vente, si ces spécifications font partie intégrantes de cette entente, et (ii) sont libres de toute défectuosité matériel et de fabrication pendant une période de un (1) an depuis la date d'installation ou dix-huit (18) mois depuis la date d'expédition (la date d'expédition ne sera pas ultérieure à trente (30) jours après la réception de l'avis que les biens sont prêts à être expédiés), la première instance à survenir, à moins qu'une période plus longue n'ait été indiquée sur la documentation du produit (la « Garantie »).

Sauf mention contraire dans les lois, le vendeur, à son choix et sans frais pour l'acheteur, réparera ou remplacera tout produit défectueux en vertu de la garantie pour autant que l'acheteur donne un avis écrit au vendeur de toutes défectuosités matérielles ou de main d'oeuvre dans les dix (10) jours de la première occurrence d'un défaut ou non conformité. En vertu de l'option de réparation ou de remplacement, le vendeur n'est soumis à aucune obligation de retirer ou de faire retirer le produit défectueux ni d'installer ou de payer pour l'installation du produit réparé ou remplacé. L'acheteur ne peut être tenu responsable de tout autre frais, incluant, entre autre, frais de réparation, d'expéditions et dépenses. Le vendeur à son entière discrétion choisira la méthode ou le moyen de réparation ou de remplacement. Le défaut de l'acheteur de se conformer aux directives de réparation ou de remplacement du vendeur conclura les obligations du vendeur en vertu de la présente garantie et annulera la garantie. Toutes pièces réparées ou remplacées en vertu de la garantie seront couvertes uniquement pour la durée de la garantie restante sur les pièces ayant été réparées ou remplacées. Le vendeur n'aura aucune obligation de garantie envers l'acheteur pour tout produit ou pièces du produit ayant été : (a) réparées par une tierce partie autre que le vendeur ou sans l'approbation écrite du vendeur; (b) soumises à une mauvaise utilisation, mauvaise application, négligence, altération, accident ou dommage physique; (c) utilisées de manière contraire aux directives d'installation, d'opération et d'entretien du vendeur; (d) endommagées par une usure normale, corrosion ou produits chimiques; (e) endommagées par des conditions anormales, vibrations, défaut d'une amorce adéquate ou opération sans débit; (f) endommagées par une alimentation électrique défectueuse ou une mauvaise protection électrique; ou (g) endommagées par l'utilisation d'un accessoire n'ayant pas été vendu ou approuvé par le vendeur. Dans le cas de produits n'ayant pas été fabriqués par le vendeur, ce dernier n'offre aucune garantie; cependant le vendeur fera profiter l'acheteur de toute garantie qu'il aura reçu du fournisseur de tels produits.

LA PRÉSENTE GARANTIE EST EXCLUSIVE ET REMPLACE TOUTE AUTRE GARANTIE OU CONDITIONS EXPRESSES OU IMPLICITES DE QUELQUE NATURE SE RAPPORTANT AUX BIENS FOURNIS CI-APRÈS, INCLUSANT, SANS LIMITE, TOUTE GARANTIE IMPLICITE DE QUALITÉ MARCHANDE ET DE CONFORMITÉ À DES FINS PARTICULIÈRES, QUI SONT RÉFUTÉES EXPRESSÉMENT ET EXLUES. SAUF MENTION CONTRAIRE DANS LES LOIS, LE SEUL RECOURS DE L'ACHETEUR ET LA RESPONSABILITÉ DU VENDEUR EN CAS DE BRIS D'UNE DES GARANTIES CI-APRÈS EST LIMITÉ À LA RÉPARATION OU AU REMPLACEMENT DU PRODUIT ET SERA DANS TOUS LES CAS LIMITÉ AU MONTANT PAYÉ PAR L'ACHETEUR POUR LE PRODUIT DÉFECTUEUX. EN AUCUN CAS, LE VENDEUR NE POURRA ÊTRE TENU RESPONSABLE DE TOUTES AUTRES FORMES DE DOMMAGES, QU'IL SOIT DIRECT, INDIRECT, LIQUIDÉ, ACCIDENTEL, CONSÉCUTIF, PUNITIF, EXEMPLAIRE OU DOMMAGES SPÉCIAUX, INCLUANT, ENTRE AUTRES, PERTE DE PROFIT, PERTE D'ÉCONOMIE PRÉVUE OU DE REVENU, PERTE DE RENTRÉE MONÉTAIRE, PERTE DE CLIENTÈLE, PERTE DE PRODUCTION, PERTE D'OPPORTUNITÉ OU PERTE DE RÉPUTATION.



Xylem Inc.  
2881 East Bayard Street Ext., Suite A  
Seneca Falls, NY 13148  
Téléphone: (800) 453-6777  
Télécopie: (888) 322-5877  
[www.gouldswatertechnology.com](http://www.gouldswatertechnology.com)

Goulds est une marque déposée de Goulds Pumps, Inc. et est utilisé sous le permis.  
© 2015, Xylem Inc. IM078 Révision numéro 5 Juillet 2015