

# Wall set (2 walls) 32x72 in.

**Model number:**

105063

**Dimensions:** 32" x 2" x 72"

**Installation:** Direct-to-Stud

**Material:** Acrylic



## Standard Features:

- Wall set (2 walls)
- Integrated convenient footrest
- Designed for ease of maintenance
- Easy front installation with snap clips

## Product characteristics:

- Made in North America
- Direct-to-Stud Installation
- Built-in shelves

## Warranty:

25 Years

## Standard colors:



White (001)



Bone (004)



Biscuit (007)

## Certifications

MAAX products adhere to one or more of the following certifications:



## Recommended products (Visit our website for a complete list of our recommended products)

No	Description
101426	Neo-Round Base 32 - 3 in.
101431	Square Base 32 - Corner - 3 in.
101433	Rectangular Base 4832 - 3 in.

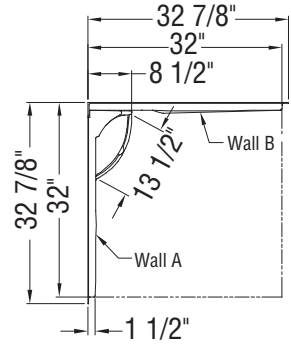
# Wall set (2 walls) 32x72 in.

**Model number:** 105063

**Dimensions:** 32" x 2" x 72"

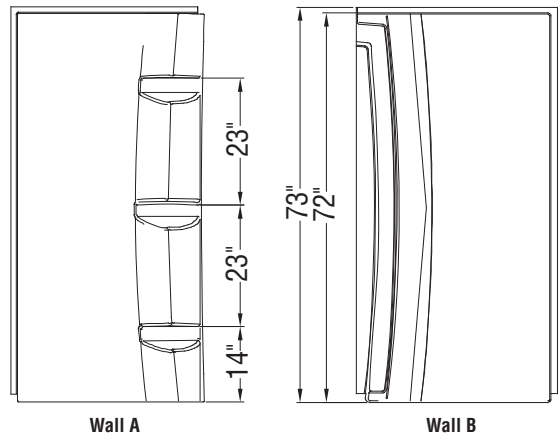
**Installation:** Direct-to-Stud

**Material:** Acrylic



**Dimensions:**  
32 x 1 1/2 x 72 in.  
(813 x 38 x 1829 mm)

**Weight:**  
57 lbs (25.86 kg)



All dimensions are approximate. Structure measurements must be verified against the unit to ensure proper fit.

Project:

Contractor:

Representative:

Date:

Tel:

Notes: