

MAAX SUBMITTAL SPECIFICATIONS

Neo-Angle Base 36 - Corner installation 3 in. threshold

MODEL NUMBER 101422

DIMENSIONS: 36" x 36" x 5 or 3" Acrylic



Project :
Contractor :
MAAX Representative : Tel :
Date :

www.maax.com

Vivez l'expérience
MAAX[®]
Enjoy the experience

STANDARD FEATURES

- Available in 5 and low 3 in. height; corner drain; textured bottom
- Walls with convenient foot rest, designed to be easier to clean
- Easy front installation of the walls with snap clips
- Deflecting strip preventing water penetration behind the shower
- Corner installation

OPTIONS

- None

UNIQUE FEATURES

- None

SYSTEMS

- None

DOOR SELECTION

Combine with MAAX's complete shower door offering visit www.maax.com

CERTIFICATIONS

Maax products adhere to one or more of the following certifications:



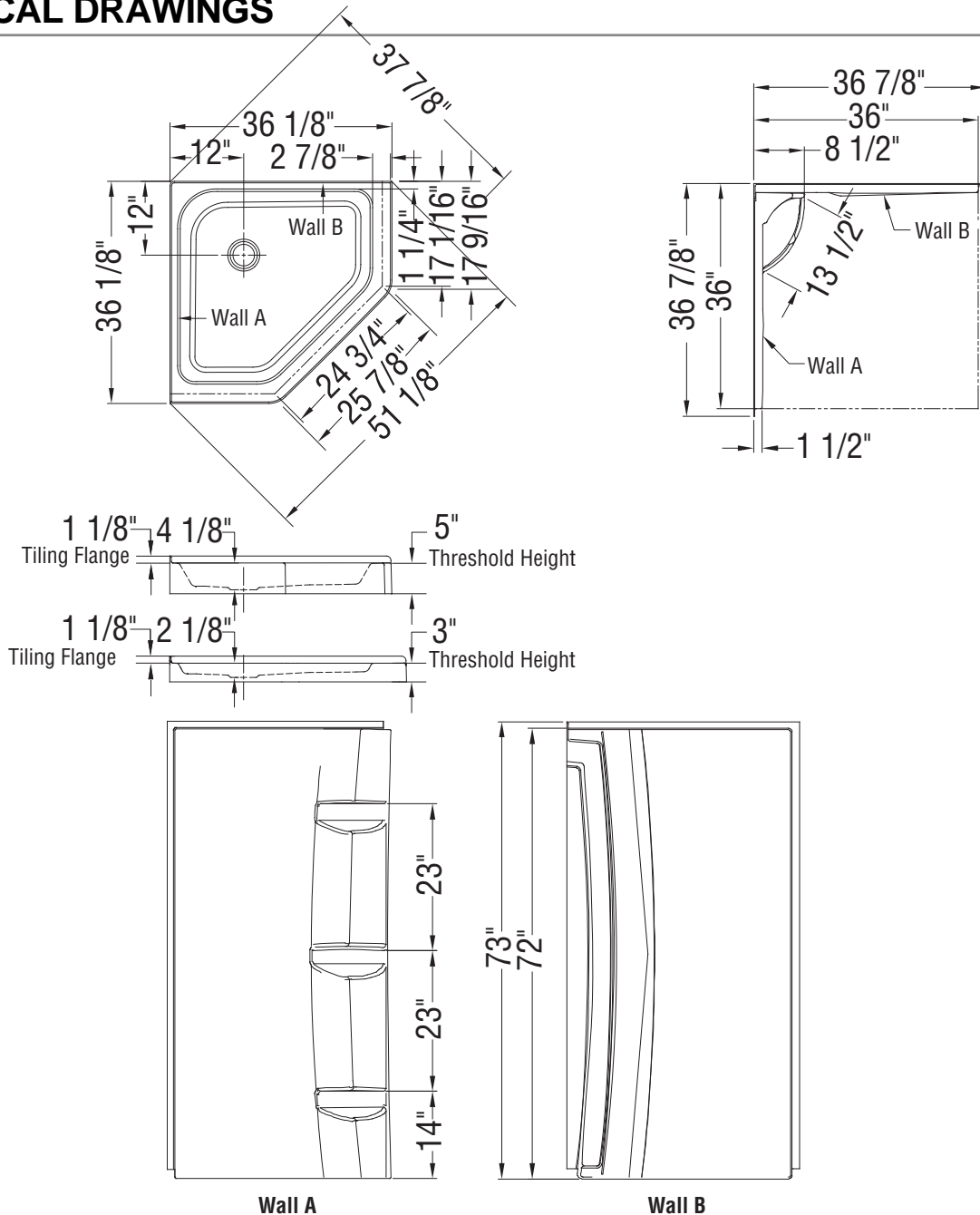
2017-11-09

MAAX SUBMITTAL SPECIFICATIONS

Neo-Angle Base 36 - Corner installation 3 in. threshold

MODEL NUMBER 101422

TECHNICAL DRAWINGS



All dimensions are approximate. Structure measurements must be verified against the unit to ensure proper fit.