

# MAAX SUBMITTAL SPECIFICATIONS

## Freestyle 37 Neo-Angle (2-Piece)

MODEL NUMBER 102994-S

DIMENSIONS: 37" x 37" x 78" Acrylic



Vivez l'expérience  
**MAAX**<sup>®</sup>  
Enjoy the experience

### STANDARD FEATURES

- 2-piece shower
- Optional roof cap
- Sectional unit ideal for renovation projects
- 2 large shelves with chrome or brushed nickel guardrails, integrated soap dish
- Customize the shower: specify seat or footrest
- Optional: If roof, halogen light recommended

### OPTIONS

- ABS shower drain with Chrome stainless steel grid
- ABS shower drain with ABS grid
- Halogen light - certified cULus - 12V.-4
- Roof cap
- PVC quick caulking shower drain with Chrome or Brushed Nickel grid

### UNIQUE FEATURES

- None

### SYSTEMS

- None

### DOOR SELECTION

Combine with MAAX's complete shower door offering visit [www.maax.com](http://www.maax.com)

### CERTIFICATIONS

Maax products adhere to one or more of the following certifications:



Project : .....  
Contractor : .....  
MAAX Representative : ..... Tel : .....  
Date : .....

[www.maax.com](http://www.maax.com)

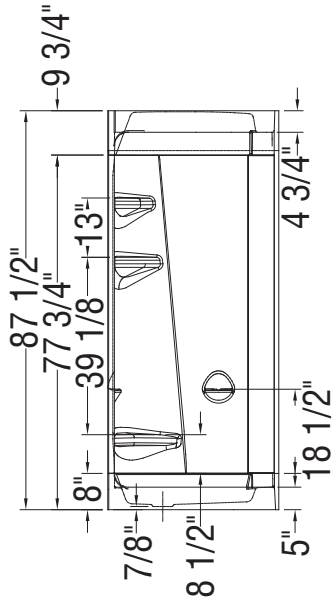
2017-11-09

## MAAX SUBMITTAL SPECIFICATIONS

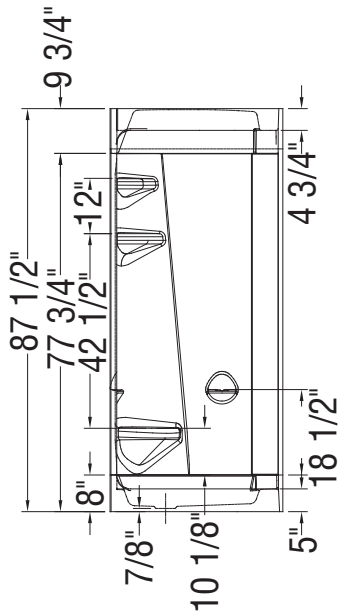
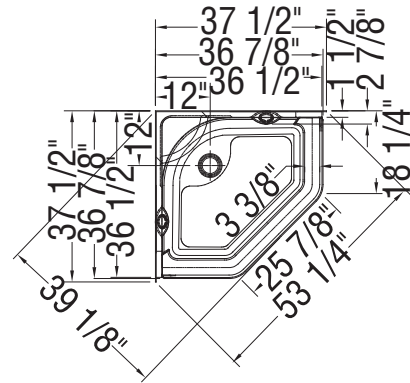
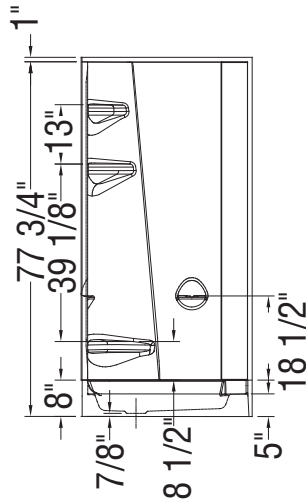
# Freestyle 37 Neo-Angle (2-Piece)

MODEL NUMBER 102994-S

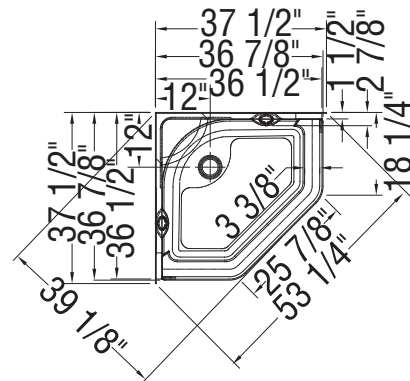
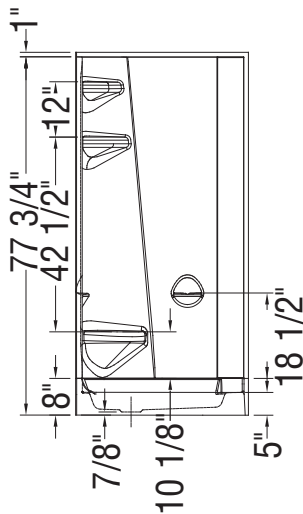
## TECHNICAL DRAWINGS



With footrest



With seat



All dimensions are approximate. Structure measurements must be verified against the unit to ensure proper fit.