

# Alderon™ Float Switch Accessories



Leading Edge Control Products

Control and Pump Switches

FLOAT SWITCH ATTACHMENTS and ACCESSORIES

TECHNICAL DATA SHEET

## DESCRIPTION OF OPERATION

Alderon™ offers various float switch cable attachments and accessories to be used with control and pump switches for a variety of applications, including but not limited to: septic tanks, holding tanks, pump chambers, and water tanks.

### Stainless Steel Pipe Clamp

PART NUMBERS	2000556, 2000557	SPECIFICATIONS	MECHANICAL DRAWING
--------------	------------------	----------------	--------------------



(3-Inch Model Shown; 2000556)

**Pipe Clamp Material**  
316 stainless steel

**Height\***  
1.7 inches  
(2000556 and 2000557)

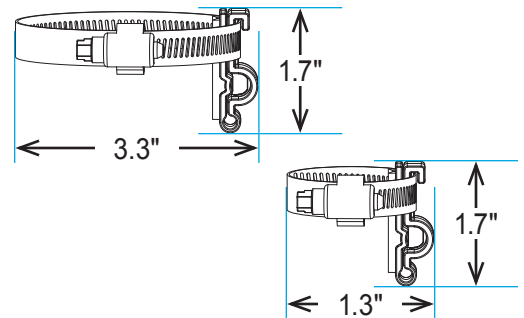
**Cable Clamp Material**  
Polypropylene

**Cable Slot**  
18 AWG to 14-2 AWG  
(diameter 0.28" - 0.34")

**Width\***  
1.3 inches (2000557)  
3.3 inches (2000556)

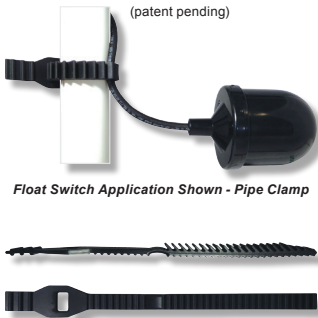
**Three-Year Limited Warranty**

(\* measurement of pipe clamp with cable clamp attached.)



### RubberLox™ Pipe Clamp, Adjustable / Reusable Strap (multi-use)

PART NUMBER	8091	SPECIFICATIONS	MECHANICAL DRAWING
-------------	------	----------------	--------------------



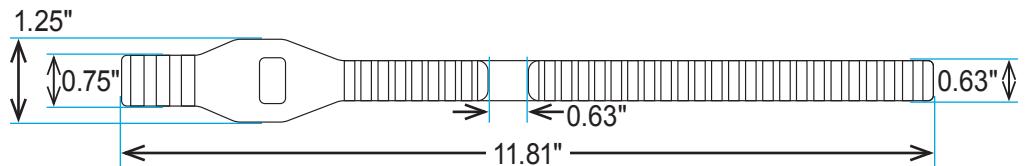
Float Switch Application Shown - Pipe Clamp

**Material**  
EPDM Synthetic Rubber

**Cable Slot**  
18 AWG to 12 AWG

**Operating Temperature**  
-40° F to 300° F

**Three-Year Limited Warranty**



### Cast Iron Cable Weight

PART NUMBER	7039	SPECIFICATIONS	MECHANICAL DRAWING
-------------	------	----------------	--------------------



**Cable Weight Material**  
Zinc Plated Cast Iron

**Diameter**  
1.94 inches

**Screws Material**  
Stainless Steel

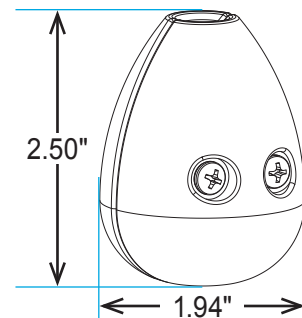
**Height**  
2.50 inches

**Cable Slot**  
18 AWG to 14 AWG  
(diameter 0.28" - 0.39")

**Operating Temp**  
Liquids up to 200° F

**Weight**  
1.20 lb

**Three-Year Limited Warranty**



## Plastic Cable Weight

PART NUMBER	2000275	SPECIFICATIONS	MECHANICAL DRAWING
-------------	---------	----------------	--------------------



**Enclosure Material**  
Polypropylene

**Diameter**  
2.5 inches

**Cable Clip Material**  
Acetal plastic

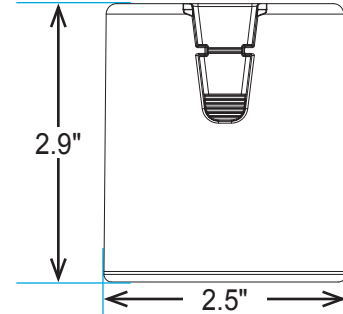
**Height**  
2.9 inches

**Headline**  
18 AWG to 14 AWG  
(diameter 0.28" - 0.39")

**Weight**  
1.5 lb

**Operating Temp**  
Liquids up to 200° F

**Three-Year Limited Warranty**



## Float Brackets (3-Hole, 4-Hole, and 6-Hole; includes cable strain reliefs)

PART NUMBERS	7920, 7902, 7910	SPECIFICATIONS	MECHANICAL DRAWING
--------------	------------------	----------------	--------------------



(4-Hole Model Shown; 7902)

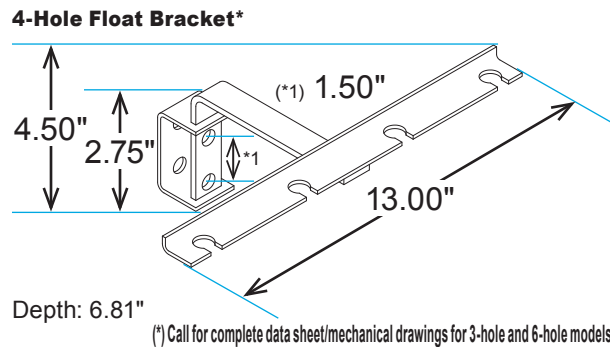
**Float Bracket Material**  
Stainless Steel

**Mounting Bracket Material**  
Stainless Steel

**Float Switch Cable Slots**  
3-hole, 4-hole, and 6-hole (depends on model)

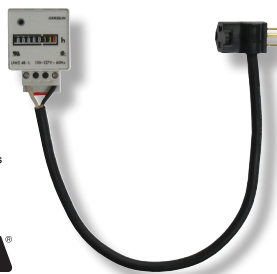
**Snap Fit Strain Reliefs**  
Nylon 6/6 (UL Recognized)

**Three-Year Limited Warranty**



## Pump Trackers (bare lead and piggyback plug models)

PART NUMBERS	7404, 7405 8060, 8061, 8062, 8063	SPECIFICATIONS	MECHANICAL DRAWING
--------------	--------------------------------------	----------------	--------------------



(ETM/Piggyback Plug Model Shown; 8060)

**Electrical**  
15A, 120VAC or 230VAC, 60 Hz  
(voltage depends on model)

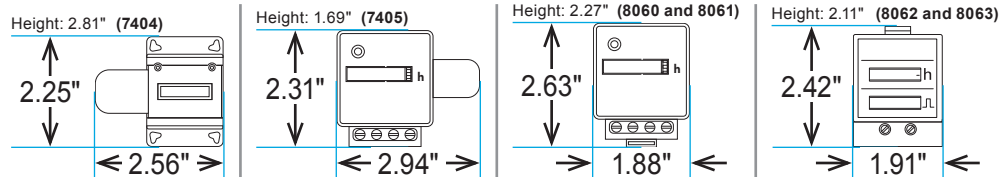
**Display**  
Number of displayed digits varies per model  
(non-resettable)

**Maximum On Time**  
Infinite

**Operating Temp**  
23° F to 104° F (event counter)  
-40° F to 160° F (time meter)  
5° F to 122° F (etm/ec combo)

**Certifications**  
UL (US and Canada) (event counter)  
CSA (US and Canada) (time meter)  
UL Recognized (time meter)  
UL (US and Canada) (etm/ec combo)

**Three-Year Limited Warranty**



## ORDERING INFORMATION

For a complete list of standard products with pricing, refer to the current year price sheet or visit [alderonind.com](http://alderonind.com) for more information.

PART NUMBER	DESCRIPTION	PART NUMBER	DESCRIPTION
2000556	Stainless Steel Pipe Clamp for Float Switch, 3-Inch	7920	Float Bracket, 3-Hole
2000557	Stainless Steel Pipe Clamp for Float Switch, 1-Inch	7902	Float Bracket, 4-Hole
2000562	Stainless Steel Pipe Clamp, 3-Inch, Contractor Pack (Qty 12)	7910	Float Bracket, 6-Hole
2000563	Stainless Steel Pipe Clamp, 1-Inch, Contractor Pack (Qty 12)	7404	Pump Tracker, Event Counter (120/230VAC)
8091	RubberLox™ Pipe Clamp	7405	Pump Tracker, Elapsed Time Meter (120/230VAC)
8092	RubberLox™ Pipe Clamp, Contractor Pack (Qty 12)	8060	Pump Tracker, 120VAC Piggyback Plug, Elapsed Time Meter
7039	Cast Iron Cable Weight	8061	Pump Tracker, 230VAC Piggyback Plug, Elapsed Timer Meter
2000275	Plastic Cable Weight	8062	Pump Tracker, 120VAC Piggyback Plug, ETM/EC (combo)
		8063	Pump Tracker, 230VAC Piggyback Plug, ETM/EC (combo)