

VersAlarm™ 1-Zone Alarm



Leading Edge Control Products

Standard | Rated Type 1, Indoor Alarm Panel

MODEL: VA-02, ALARM PANEL ONLY

TECHNICAL DATA SHEET

DESCRIPTION OF OPERATION

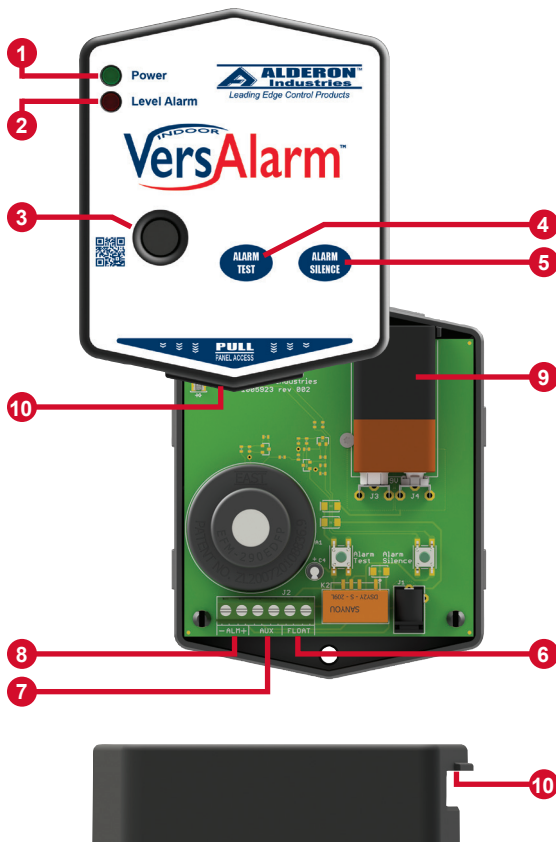


The VersAlarm™ 1-Zone Alarm is an indoor rated alarm panel, powered by a standard 120VAC wall outlet. The green power LED will illuminate (solid) when powered. The VersAlarm™ is a multipurpose alarm panel that can be used for a variety of applications, including but not limited to: septic tanks, sumps, holding tanks, pump chambers, water tanks, flow, pressure, condensate, temperature, and any others where a "dry" contact can be connected to the alarm panel.

The alarm panel is equipped with audible and visual alarm indication, activated by a normally open or normally closed sensor wired to the terminals. A variety of sensors can be used such as a float switch, pressure switch, or any "dry" type sensor that "closes" during an alarm condition (normally open or normally closed). Installing a 9VDC battery (not included) provides battery backup during power outages. Use the auxiliary contacts to connect to building automation systems (BAS) and phone dialers. Multiple sensors (signaling device) can be connected for expanded monitoring.

An alarm condition occurs when the sensor (signaling device) contact is activated, during which the red alarm LED will illuminate (solid), buzzer will annunciate (solid), and the auxiliary contacts will activate. The alarm condition will stay on until the sensor is deactivated. If the alarm silence pushbutton is pressed during an alarm condition, it will silence the buzzer while the alarm LED remains on. The silence condition will reset when the sensor deactivates and the alarm panel will auto reset for the next alarm cycle.

STANDARD FEATURES



(1) **Power LED** - A green LED illuminates (solid) on the front of the alarm panel to indicate the power is on.

(2) **Alarm LED** - During a level alarm condition, the red alarm LED will illuminate (solid) on the front of the alarm panel.

(3) **Alarm Buzzer** - The alarm buzzer will annunciate (solid) in addition to the visual indication provided by the red level alarm LED during an alarm condition.

(4) **Alarm Test Pushbutton** - Press the pushbutton to test the alarm to ensure proper operation. The buzzer should annunciate, alarm LED should illuminate, and auxiliary contacts should activate.

(5) **Alarm Silence Pushbutton** - Press the pushbutton to silence the buzzer during an alarm condition. The alarm LED remains illuminated until the alarm condition has been cleared and the alarm panel will auto reset for the next alarm cycle.

(6) **Sensor Inputs** - Connect a field installed sensor to the terminals from the monitoring area.

(7) **Auxiliary Contacts** - Interface with an external device including BAS systems and phone dialers. The contacts (normally open) are rated 24VDC at 500mA maximum.

(8) **Secondary Alarm Device Inputs** - Provides a secondary remote alarm notification (Alderon™ indoor/outdoor LED strobe beacon).

(9) **Battery Backup** - Install a 9VDC battery (not included) for battery backup during power outages. The power LED will not illuminate during battery backup mode to conserve battery power.

(10) **Panel Access** - Pull the cover off to access the panel, includes an open wiring compartment to safely route wires while connecting sensors and auxiliary dry contacts.

SPECIFICATIONS

VersAlarm™ 1-Zone Alarm, Panel Only



Primary Power
120VAC, 50/60 Hz

Circuit Board Primary Power
11.1VDC, 500mA maximum

Circuit Board Secondary Power
9VDC, standard 9VDC battery
(battery backup; not included)

Watts
1.4 Watts

Field Connection Sensor
9-10VDC, 200mA minimum
(signaling device)

Auxiliary Contacts
24VDC, 500mA maximum
Normally Open; Single Pole, Single Throw

Auxiliary Alarm Power
8-10.2VDC, 150mA maximum

LEDs
Green (power) and Red (alarm)

Buzzer
85 dB @ 10-feet

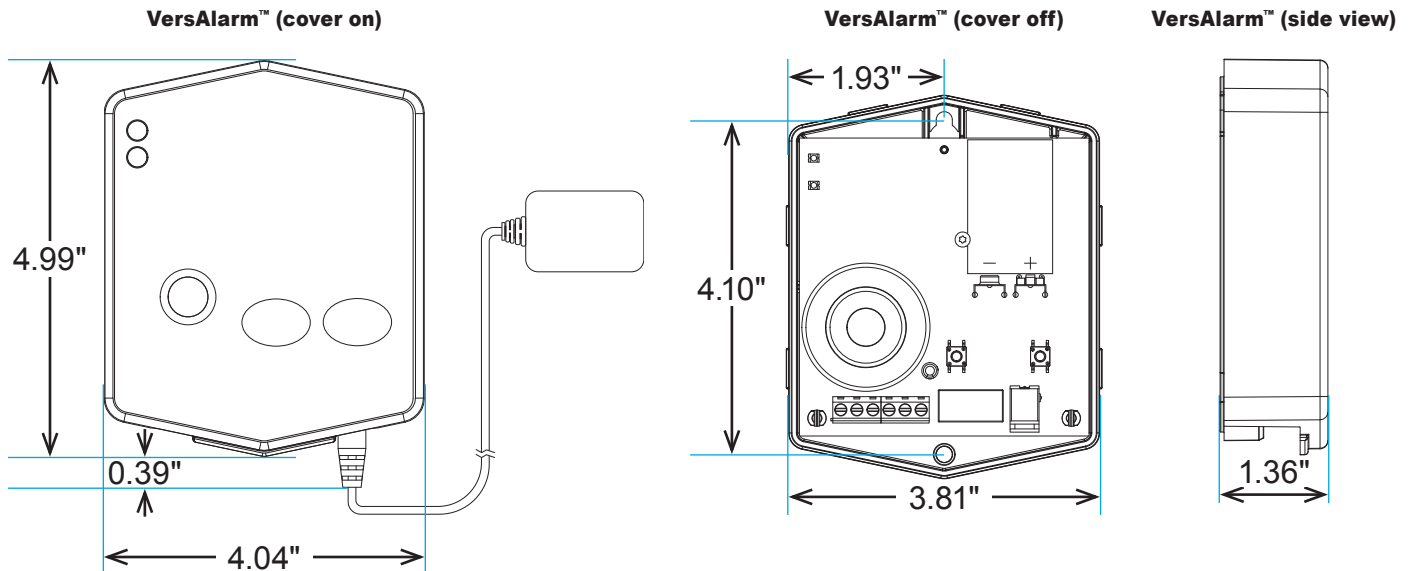
Wall-Mounted Power Supply
120VAC, 50/60 Hz (input)
11.1VDC, 500mA maximum (output)
(6-foot cord)

Enclosure
Thermoplastic
5 x 4 x 1.3 (inches)
Type 1, Indoor
Removable Cover

Certifications
CSA (US and Canada)

Three-Year Limited Warranty

MECHANICAL DRAWING



ORDERING INFORMATION

For a complete list of standard products with pricing, refer to the current year price sheet or visit alderonind.com for more information.

PART NUMBER	DESCRIPTION (Alarm Panel includes: Auto Reset, Battery Backup, and Auxiliary Contacts)
7013	VersAlarm™ 1-Zone Indoor Alarm (Alarm Panel Only)
VERSALARM™ INDOOR ALARM ACCESSORIES EXPANDED APPLICATIONS	
7008	WaterSpotter™ Flood Sensor, AWS Series, 15' Cable
2000519	Alarm Advisor™ Sump Sensor with Bracket (24VDC, 100mA maximum), 15' Cable, Stainless Steel Pipe Clamp
2001077	15' Altra™ Narrow Angle Control Switch, Normally Open (high level), Stainless Steel Pipe Clamp, Bagged
2001104	20' Altra™ Narrow Angle Control Switch, Normally Open (high level), Stainless Steel Pipe Clamp, Bagged
2001086	15' Altra™ Narrow Angle Control Switch, Normally Closed (low level), Stainless Steel Pipe Clamp, Bagged
2001113	20' Altra™ Narrow Angle Control Switch, Normally Closed (low level), Stainless Steel Pipe Clamp, Bagged
7933	Strobe Beacon, 6-12VDC