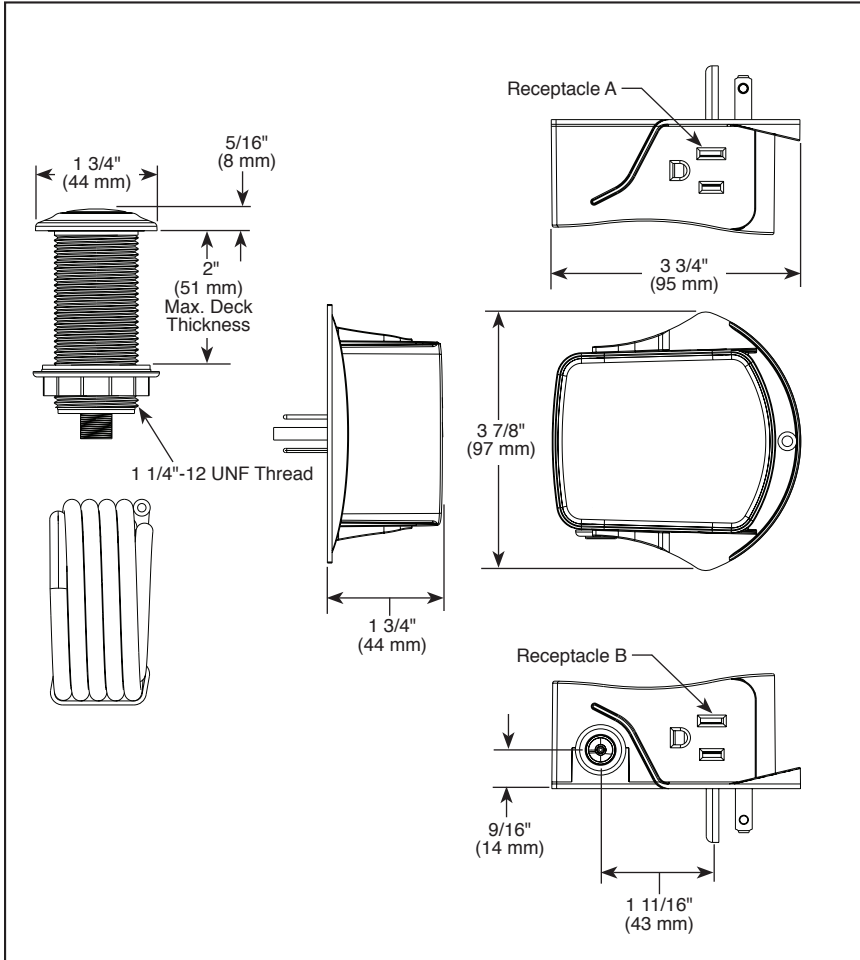


Submitted Model No.: \_\_\_\_\_

Specific Features: \_\_\_\_\_



▲ Designate finish suffix

# BRIZO®

## AIR SWITCH WITH DUAL OUTLET

### STANDARD SPECIFICATIONS:

- UL approved Electrical Rating: 15 amps @ 120VAC
- For indoor use only
- Intended to be used at room temperature
- Plug into grounded, GFCI electrical outlet
- Push button installs in 1 1/4" diameter hole
- Includes power module with two grounded outlets, air tubing (6 ft. length), and push button with decorative finish
- Press and release the air transmitter button to transfer power from Receptacle A to Receptacle B. Press and release the button again to transfer power from Receptacle B back to Receptacle A.
- Distance between push button and power module must not exceed 5 ft.
- Replacement button and tubing: RP101682

### WARRANTY

- Parts and Finish - Lifetime limited warranty; or for commercial purchasers, 10 years for multi-family residential (apartments and condominiums) and 5 years for all other commercial uses, in each case from the date of purchase.
- Electronic Parts and Batteries (if applicable) - 2 years from the date of purchase; or for commercial purchasers, 1 year from the date of purchase. No warranty is provided on batteries.