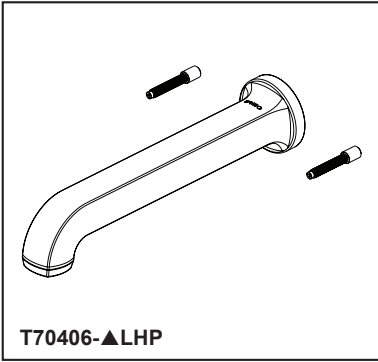


# BRIZO®

## TWO HANDLE WALL MOUNT TUB FILLER

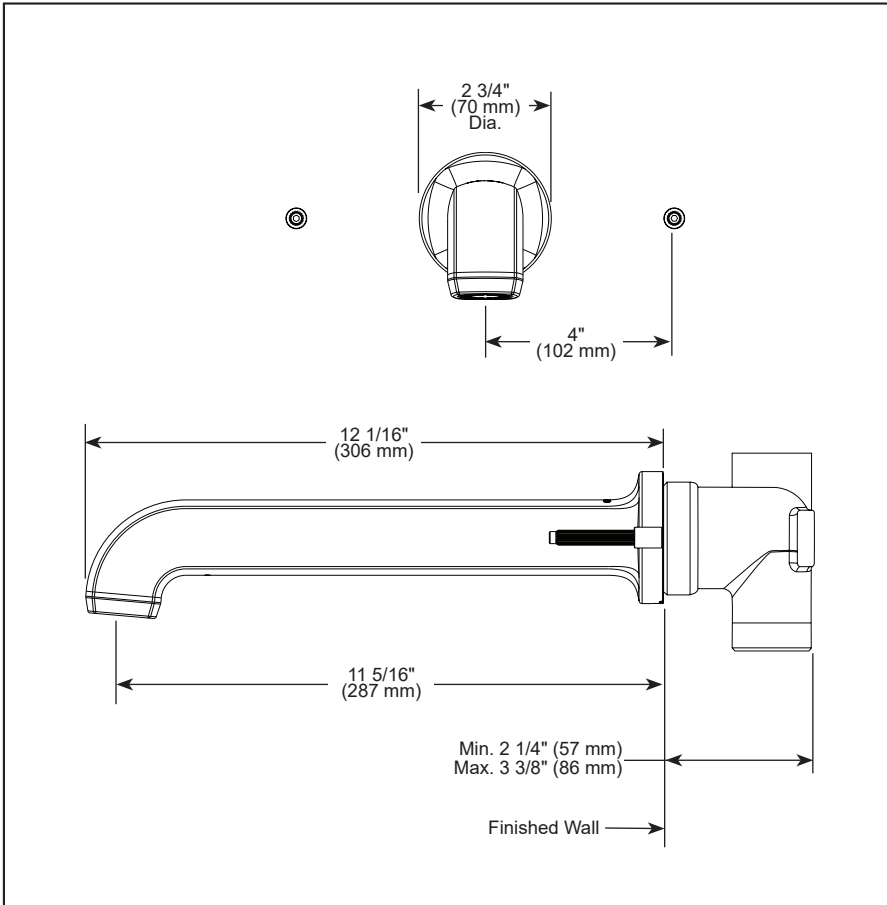
■ Kintsu™ Bath Collection



T70406-▲LHP

Submitted Model No.: \_\_\_\_\_

Specific Features: \_\_\_\_\_



### STANDARD SPECIFICATIONS:

- Max flow rate 9.3 gpm @ 60 psi, 35.2 L/min @ 414 kPa
- Trim only, rough-in R70400 required for installation
- Three hole mount, 8" center-to-center
- Ceramic hot and cold mixing valves (90° max rotation)
- Optional RP92777 will accommodate up to max 4 1/2" depth - extension kit sold separately
- Solid brass construction
- Drain not included
- Handles sold separately

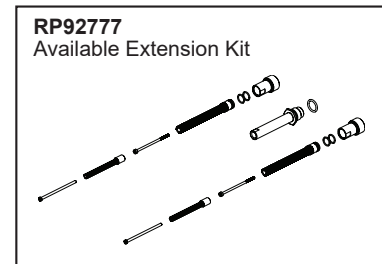
### WARRANTY

- Parts and Finish - Lifetime limited warranty; or for commercial purchasers, 10 years for multi-family residential (apartments and condominiums) and 5 years for all other commercial uses, in each case from the date of purchase.
- Electronic Parts and Batteries (if applicable) - 5 years from the date of purchase; or for commercial purchasers, 1 year from the date of purchase. No warranty is provided on batteries.

**⚠ WARNING:** Risk of personal injury. Do not use the tub filler as a grab bar or support bar. Install this product according to the installation guide.

### COMPLIES WITH:

- ASME A112.18.1 / CSA B125.1
- ☑ Indicates compliance to ICC/ANSI A117.1



RP92777  
Available Extension Kit

<p><b>HL70406-▲</b> Lever Handle</p>	<p><b>HX70406-▲</b> Cross Handle</p>	<p><b>HK70406-▲BC</b> Knob Handle</p>
--	--	---

▲ Designate proper finish suffix

Brizo Kitchen & Bath Company reserves the right (1) to make changes in specifications and materials, and (2) to change or discontinue models, both without notice or obligation. Dimensions are for reference only. See current full-line price book or [www.brizo.com](http://www.brizo.com) for finish options and product availability.

BSP-B-T70406-LHP Rev. A

**Brizo Kitchen & Bath Company**  
55 E. 11th Street, Indianapolis, IN 46280  
350 South Edgeware Road, St. Thomas, ON N5P 4L1  
© 2020 Brizo Kitchen & Bath Company