

# MAAX SUBMITTAL SPECIFICATIONS

## Optik 6636

MODEL NUMBER 101269

DIMENSIONS: 66" x 36" x 21"



Project : .....

Contractor : .....

MAAX Representative : ..... Tel : .....

Date : .....

Vivez l'expérience  
**MAAX**<sup>®</sup>  
 Enjoy the experience

### STANDARD FEATURES

- Sleek bathtub combines straight and curvaceous lines
- Inclined backrest, curvaceous armrests and deep bathing well
- Ample deck space for faucet installation
- Undermount, drop-in or alcove installation with end drain
- Apron with access panel and 12 in. grab bars available as an option
- Magnetic cushion available in black or white
- Magnet backed headrest for cushion. Factory installed only if cushion ordered on initial order

### OPTIONS

- Apron with access panel (magnetic)
- Two 12-in. grab bars available in many colors
- Two chromotherapy lights
- Lite deck
- Thermo-Acoustic system
- Trim kit for Whirlpool and combined systems

### UNIQUE FEATURES

- None

### SYSTEMS

- Aerofeel Chromotherapy
- Combined Aerofeel/Hydrofeel
- Hydrofeel Hydrofeel REST

### CERTIFICATIONS

Maax Ozeo has achieved one or more of the following certifications:



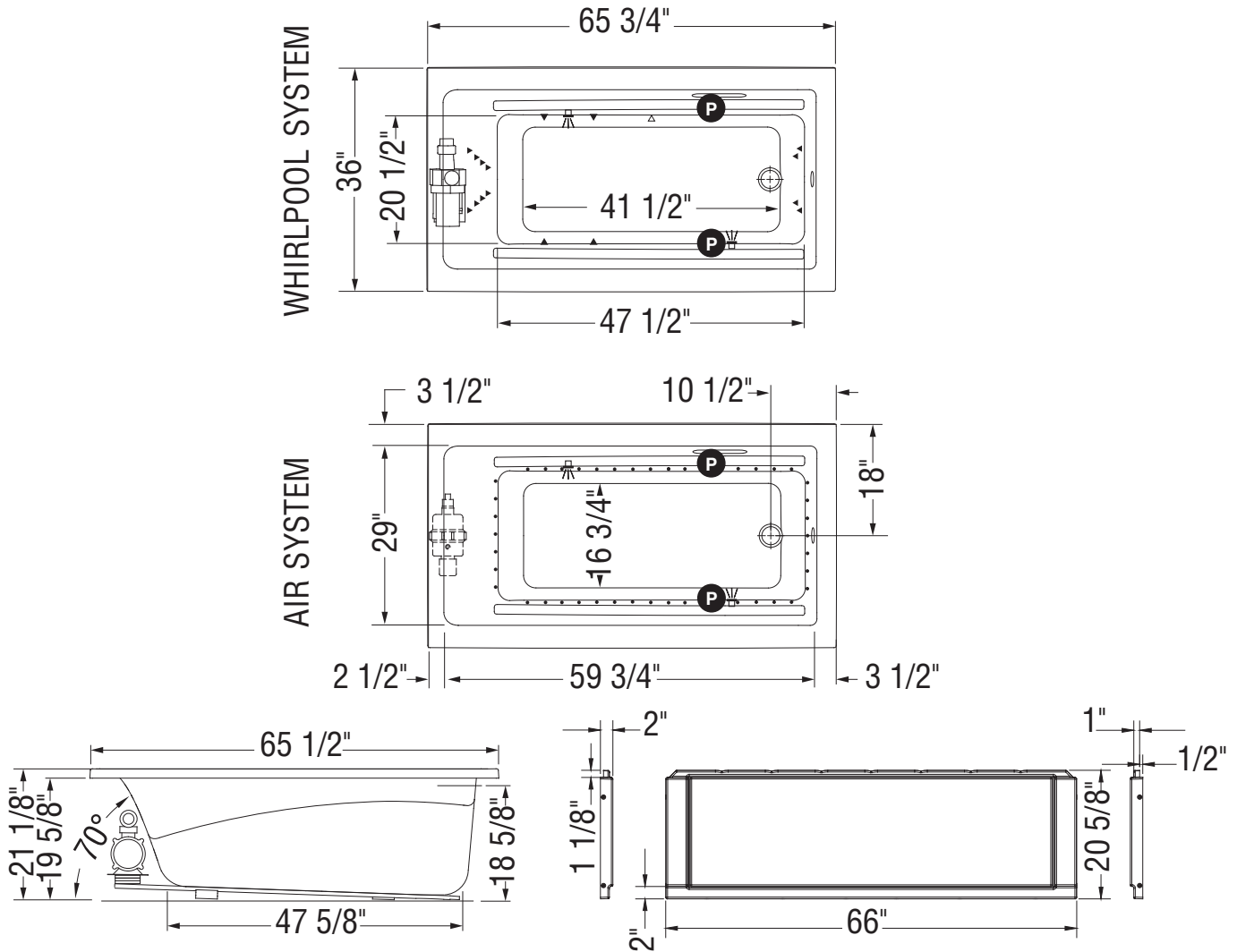
### SELECTION

# MAAX SUBMITTAL SPECIFICATIONS

## Optik 6636

MODEL NUMBER 101269

### TECHNICAL DRAWINGS



- ( P ) : Indicates optional grab bar positioning
  - ( ▲ ) : Indicates whirlpool jets positioning
  - ( △ ) : Indicates suction positioning
  - ( • ) : Indicates airjets positioning
  - ( ☼ ) : Indicates chromatherapy light positioning
- Bathtub base includes anti-vibration Neutra-Phone leg supports (not shown).  
**All dimensions are approximate. Structure measurements must be verified against the unit to ensure proper fit.**