

# MAAX SUBMITTAL SPECIFICATIONS

## Radia neo-angle 38 x 38 x 71 1/2 in. 6 mm

**MODEL NUMBER 137441**

DIMENSIONS: 38" x 38" x 71 1/2"

Project : .....

Contractor : .....

MAAX Representative : ..... Tel : .....

Date : .....

[www.maax.com](http://www.maax.com)

Vivez l'expérience  
**MAAX**<sup>®</sup>  
Enjoy the experience

### STANDARD FEATURES

- 6 mm tempered glass with Lotus glass protection
- Magnetic and aluminium extrusion for a better watertight closure and provides panel rigidity
- Easy to detach the bottom wheels to clean the track (Clip and Push)
- Panels are pre-assembled with hardware and side jambs
- 3/4 in. of out of plumb adjustment for those not so perfect walls

### OPTIONS

- None

### UNIQUE FEATURES

- Clip and Push System

### SYSTEMS

- None

### CERTIFICATIONS

Maax products adhere to one or more of the following certifications:



2017-11-09

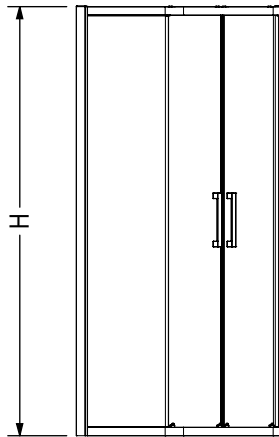
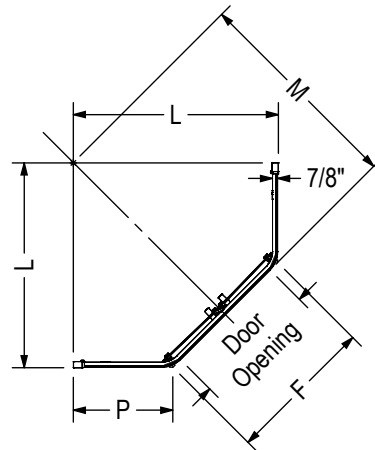
## MAAX SUBMITTAL SPECIFICATIONS

# Radia neo-angle 38 x 38 x 71 1/2 in. 6 mm

MODEL NUMBER 137441

## TECHNICAL DRAWINGS

STANDARD



Code	Description	H	M	L	P Adjustable	F	Door Opening	Wall Adjustment
137440	RADIA N-A 36" X 36" X 71.5"	71 5/8"	35 5/8"	34 1/2"	14 9/16" - 15 1/4"	26 3/8"	18 5/16"	3/4"
137441	RADIA N-A 38" X 38" X 71.5"	71 5/8"	37 7/8"	35 5/8"	16 1/8" - 16 13/16"	26 7/16"	18 5/16"	3/4"
137442	RADIA N-A 40" X 40" X 71.5"	71 5/8"	40 15/16"	37 13/16"	18 3/16" - 18 7/8"	26 1/2"	18 5/16"	3/4"

All dimensions are approximate. Structure measurements must be verified against the unit to ensure proper fit.