

## MAAX SUBMITTAL SPECIFICATIONS

# Radia square 32 x 32 x 71 1/2 in. 6 mm

**MODEL NUMBER 137447**

DIMENSIONS: 32" x 32" x 71 1/2" Glass



### STANDARD FEATURES

- 6 mm tempered glass with Lotus glass protection
- Magnetic and aluminum extrusion for a better watertight closure and provides panel rigidity
- Easy to detach the bottom wheels to clean the track (Clip and Push)
- Panels are pre-assembled with hardware and side jambs
- 3/4 in. of out of plumb adjustment for those not so perfect walls

### OPTIONS

- None

### UNIQUE FEATURES

- None

### SYSTEMS

- None

### CERTIFICATIONS

Maax products adhere to one or more of the following certifications:



Project : .....  
 Contractor : .....  
 MAAX Representative : ..... Tel : .....  
 Date : .....

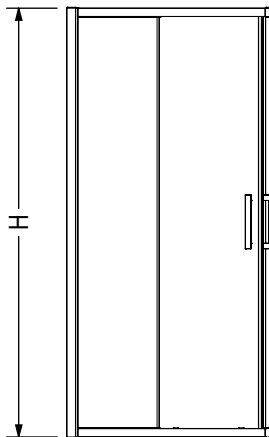
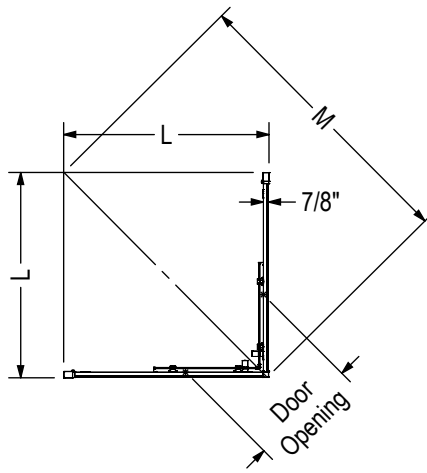
## MAAX SUBMITTAL SPECIFICATIONS

# Radia square 32 x 32 x 71 1/2 in. 6 mm

MODEL NUMBER 137447

## TECHNICAL DRAWINGS

STANDARD



Code	Description	H	L Adjustable	M	Door Opening	Wall Adjustment
137447	RADIA Square 32" X 32" X 71.5"	71 5/8"	29 7/8" - 30 5/8"	42 5/8"	15 3/16"	3/4"
137448	RADIA Square 36" X 36" X 71.5"	71 5/8"	32 15/16" - 33 3/4"	48 1/4"	17 5/16"	3/4"

All dimensions are approximate. Structure measurements must be verified against the unit to ensure proper fit.