

**REPAIR PARTS**

R36/3756 R2



# 3656/3756 S, M & L-Group

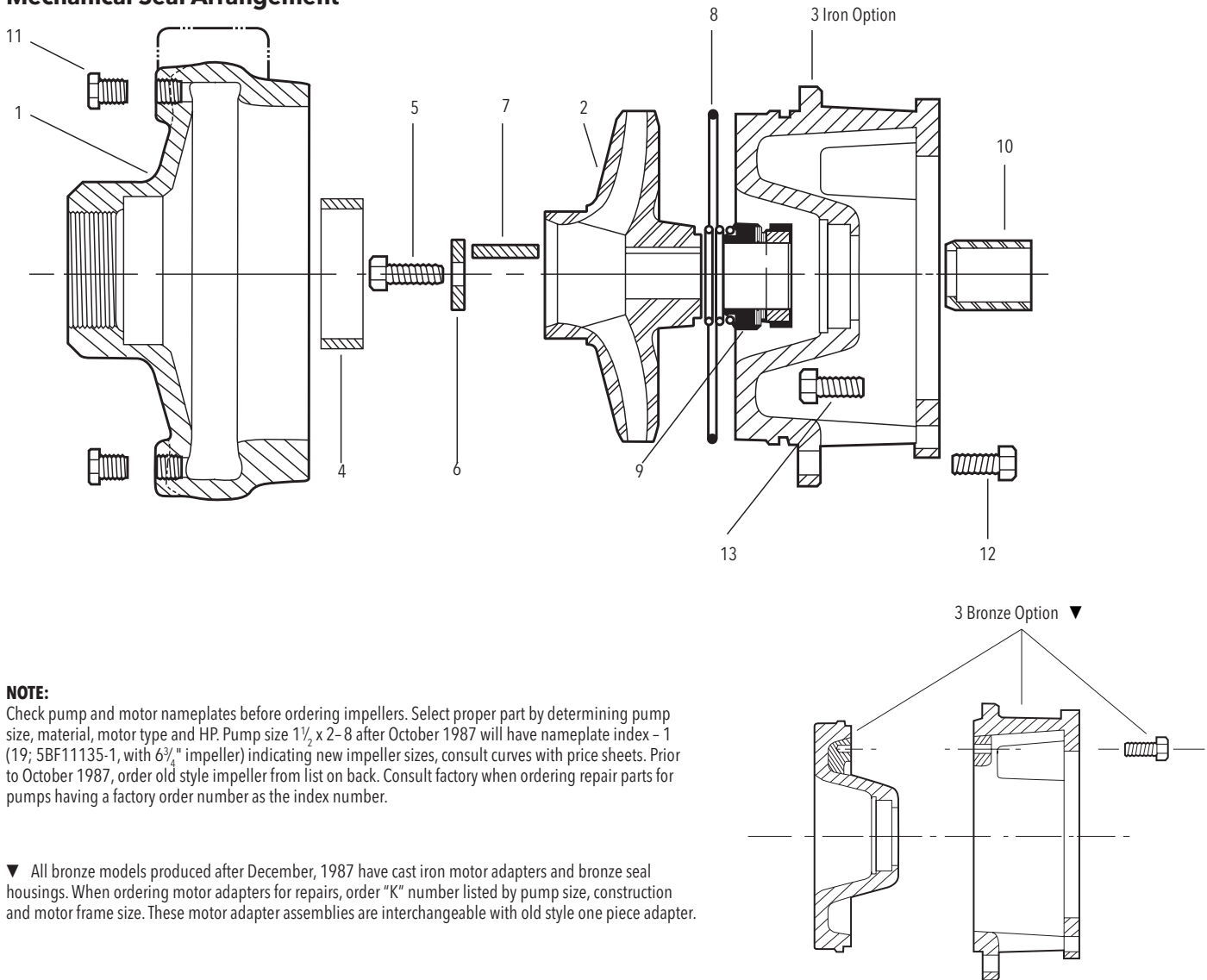
REPAIR PARTS



### PUMP END PARTS FOR CLOSE-COUPLED OR FRAME MOUNTED CONFIGURATION 3656/3756 S-Group

**Note:** For S-Group power frame individual parts see S-Group Power Frame repair parts page, RSPFRAME.

#### Mechanical Seal Arrangement

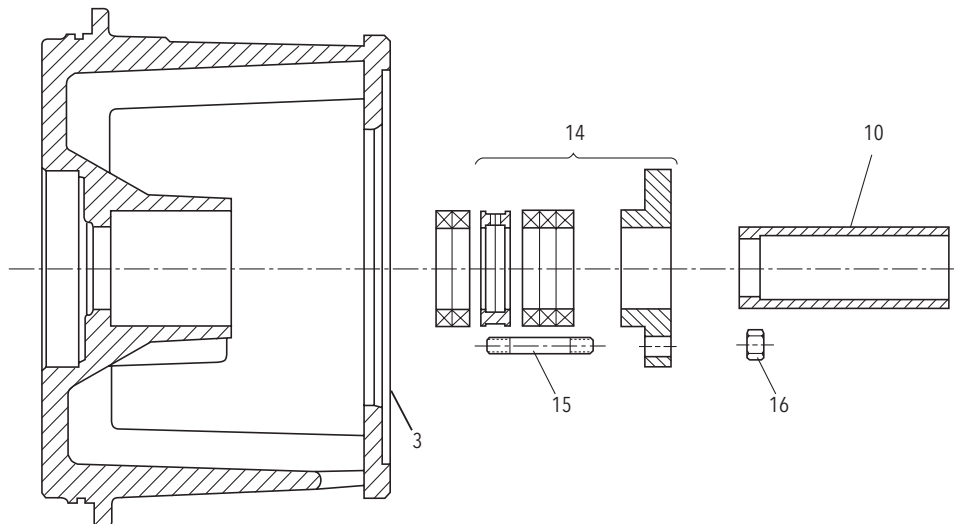


**NOTE:**

Check pump and motor nameplates before ordering impellers. Select proper part by determining pump size, material, motor type and HP. Pump size 1½, x 2-8 after October 1987 will have nameplate index - 1 (19; 5BF11135-1, with 6¾" impeller) indicating new impeller sizes, consult curves with price sheets. Prior to October 1987, order old style impeller from list on back. Consult factory when ordering repair parts for pumps having a factory order number as the index number.

▼ All bronze models produced after December, 1987 have cast iron motor adapters and bronze seal housings. When ordering motor adapters for repairs, order "K" number listed by pump size, construction and motor frame size. These motor adapter assemblies are interchangeable with old style one piece adapter.

#### Packed Box Arrangement 140JP - 180JP & 210 TCZ (west coast fit)



### PUMP END PARTS FOR CLOSE-COUPLED WITH 140JM, 180JM, 210JM (MECHANICAL SEAL) 140JP, 180JP, 210TCZ (PACKED BOX) 3656/3756 S-Group

Item No.	Part Description	Material	Repair Part No.									
			22BF	9BF	3AI/BF/AB	3AIH/BFH/ABH	5AI/BF/AB	4AI/BF/AB	6AI/BF/AB			
			1 x 2-7	1 x 2-8	1½ x 2-6	1½ x 2-6H	1½ x 2-8	2½ x 3-7	3 x 4-7			
1	Casing	Cast Iron	1K365	1K612	1K98		1K102	1K100	1K128			
		Bronze			1K99		1K103	1K101	1K129			
2	Impeller	Cast iron			2K124 (4.75)	2K154 (5.62)	2K344 (5.75)	2K741 (4.12)	2K1120 (7.06)	2K233 (4.69)		
					2K122 (5.12)	2K152 (5.94)	2K768 (6.12)	2K740 (4.75)	2K1111 (6.88)	2K232 (5.12)		
					2K120 (5.62)		2K343 (6.25)	2K739 (4.94)	2K1112 (6.56)	2K230 (5.50)		
					2K118 (5.94)		2K342 (6.75)	2K738 (5.25)	2K1113 (6.00)	2K229 (6.38)		
							2K341 (7.00)	2K737 (5.44)	2K1114 (5.69)	2K324 (7.06)		
							2K340 (7.62)	2K736 (5.62)	2K1115 (5.44)			
							2K339 (7.75)	2K735 (5.88)	2K1116 (5.19)			
							2K338 (8.06)	2K734 (6.38)	2K1117 (4.75)			
								2K733 (6.75)	2K1118 (4.50)			
								2K732 (7.06)	2K1119 (4.06)			
				Sil-Brass	2K815 (3.81)	2K767 (5.12)	2K125 (4.75)	2K155 (5.62)	2K769 (6.12)	2K751 (4.12)	2K1023 (7.06)	2K238 (4.69)
					2K814 (4.06)	2K765 (5.38)	2K123 (5.12)	2K153 (5.94)	2K351 (5.75)	2K750 (4.75)	2K1102 (6.88)	2K237 (5.12)
					2K813 (4.38)	2K763 (6.19)	2K121 (5.62)		2K350 (6.25)	2K749 (4.94)	2K1103 (6.56)	2K235 (5.50)
					2K812 (4.56)	2K761 (6.50)	2K119 (5.94)		2K349 (6.75)	2K748 (5.25)	2K1104 (6.00)	2K234 (6.38)
					2K811 (4.81)	2K759 (7.00)			2K348 (7.00)	2K747 (5.44)	2K1105 (5.69)	2K325 (7.06)
					2K810 (5.06)	2K757 (7.31)			2K347 (7.62)	2K746 (5.62)	2K1106 (5.44)	
					2K809 (5.50)	2K755 (7.62)			2K346 (7.75)	2K745 (5.88)	2K1107 (5.19)	
					2K808 (5.75)	2K753 (8.06)			2K345 (8.06)	2K744 (6.38)	2K1108 (4.75)	
					2K807 (6.00)					2K743 (6.75)	2K1109 (4.50)	
		2K806 (6.44)						2K742 (7.06)	2K1110 (4.06)			
		2K805 (6.75)										
3	Motor adapter – seal 140-180JM and frame mounted (210JM), (256TCZ)	Cast iron	1K118	1K114	1K110	1K110	1K114	1K118	1K118			
		Sil-Brass			1K111	1K111	1K115	1K119	1K119			
	Motor adapter – packing (140-180J) and frame mounted (210TCZ)	Cast iron	1K120	1K116	1K112	1K112	1K116	1K120	1K120			
		Sil-Brass			1K113	1K113	1K117	1K121	1K121			
		Cast iron	1K369	1K371	1K367	1K367	1K371	1K369	1K369			
	Cast iron	1K370	1K372			1K372	1K370	1K370				
4	Casing wear ring	Cast iron	4K67					4K69†	4K263			
		Bronze	4K68					4K70†	4K264			
5	Impeller bolt		13K43									
6	Impeller washer	AISI 303SS	13L39									
7	Impeller key		4K11									
8	Casing o-ring	BUNA	5K4	5K74	5K73		5K74	5K4				
		EPR	5K193	5K192	5K194		5K192	5K193				
		Viton	5K206	5K205	5K207		5K205	5K206				
9	Seal assembly	Carbon/ceramic BUNA	10K13									
		Carbon/sil-carb. EPR	10K19									
		Carbon/sil-carb. viton	10K27									
		Sil-carb./sil-carb./viton	10K64									
10	Shaft sleeve – mechanical seal	300SS	4K66									
	Shaft sleeve – packed box	300SS	4K473									
11	¼" pipe plug (casing)	Zinc Plated Steel	6K2 (Quantity 4)									
		Bronze	6K42 (Quantity 4)									
12	Hex head screw (casing)	Zinc	13K69 (Quantity 8)									
13	Hex head screw (motor adapter) (140 – 180) (210)	Plated Steel	13K69 (Quantity 4)									
			13K102									
14	Packed box kit includes – gland	316SS	15K16									
	Packing and lantern	Teflon	15K16									
15	Gland stud (quantity 2)	300SS	13K295									
16	Gland nut (quantity 2)	300SS	13K262									

**NOTES:** Casing includes plugs. Impeller bolt and shaft sleeve must be removed. When replacing, bond and seal shaft sleeve and impeller bolt to shaft with Loctite AL27121.

\*2½ x 3-7 pumps built after April 1, 2006 are supplied with new style impeller. Old style impeller numbers are listed for reference only. Use NEW numbers for repairs.

†2½ x 3-7 use two casing wear rings, same front and back.

‡1750 RPM only.

### PUMP END PARTS FOR CLOSE-COUPLED OR FRAME MOUNTED CONFIGURATION 3656/3756 M & L-Group

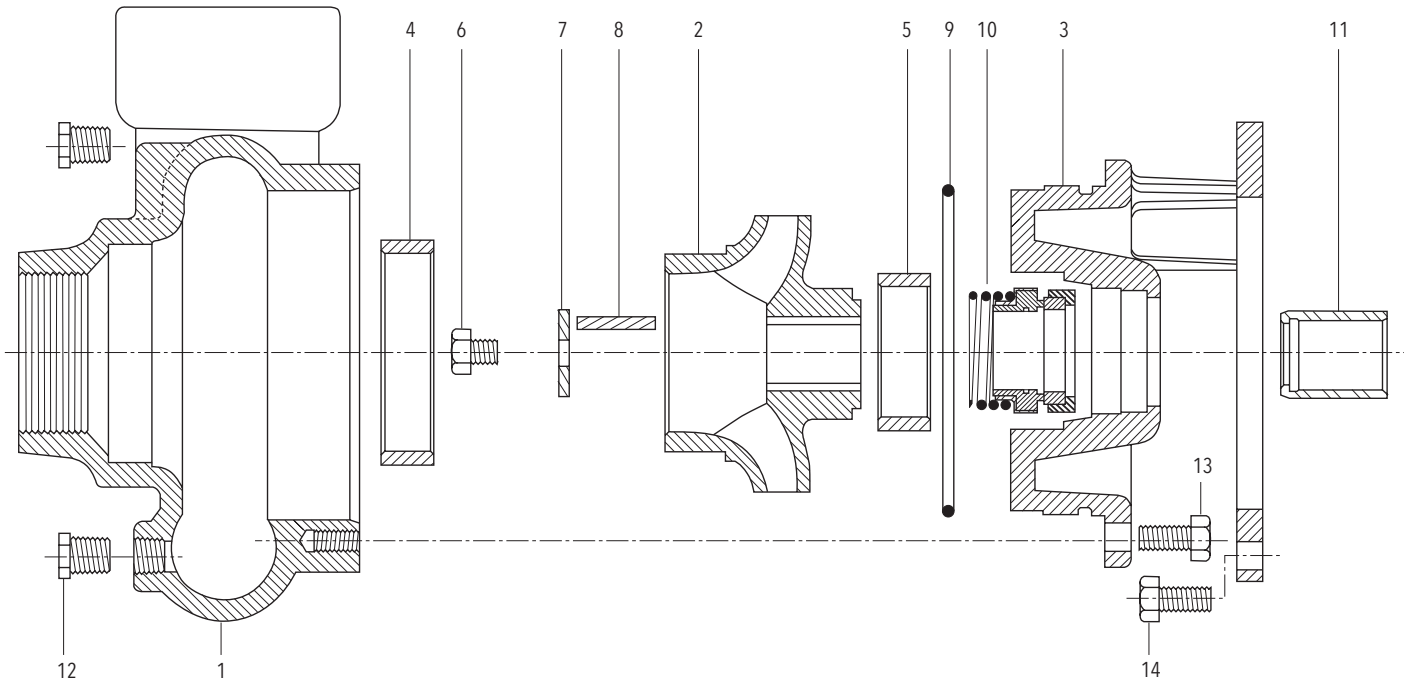
**Note:** For M & L-Group power frame individual parts see M & L-Group Power Frame repair parts pages:

RMPFRAME - M-Group

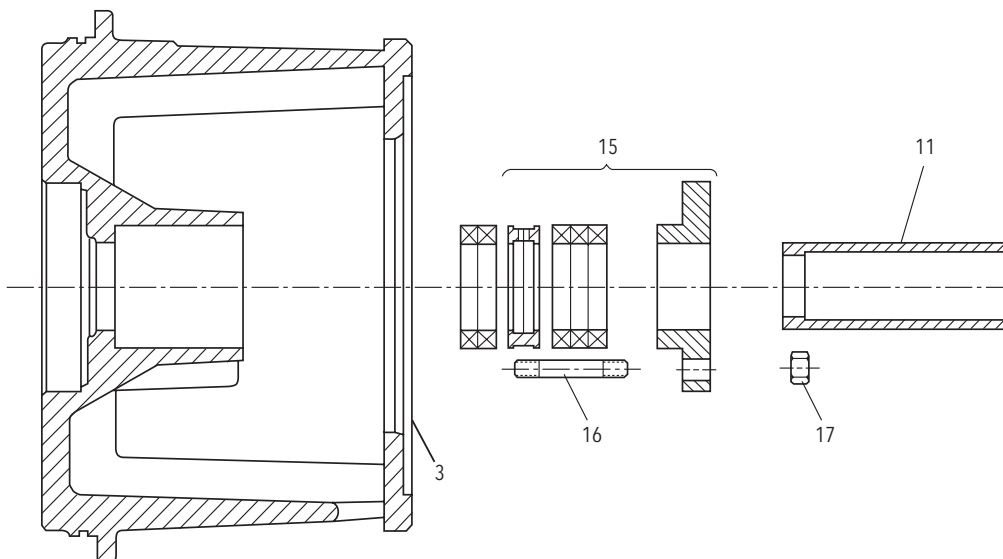
RLPFRAME - L-Group

RSAFRAME - M and L SAE Frames

#### Mechanical Seal Arrangement



#### Packed Box Arrangement 250JP - 360 TCZ, Frame Mount and SAE Drive 250JP - 445TCZ, Close-Coupled



### PUMP END PARTS FOR CLOSE-COUPLED WITH 140JM, 180JM, 210JM (MECHANICAL SEAL), 140JP, 180JP, 210TCZ (PACKED BOX)

(All pumps in this section have a 7/8" Diameter Impeller Hub Bore)

#### 3656/3756 M-Group

Item No.	Part Description	Material	Repair Part No.								
			7 AI/BF	16 AI/BF	10 AI/BF	8 AI/BF	11 AI/BF	12 AI/BF	21BF		
			2 1/2 x 3 - 8	3 x 4 - 8	4 x 5 - 8	1 1/2 x 2 - 10	2 1/2 x 3 - 10	3 x 4 - 10	2 1/2 x 3 - 9		
1	Casing	Cast Iron	1K130	1K316	1K238	1K132	1K236	1K237	1K236		
2	Impeller	Cast Iron	8 1/16 2K573	8 1/16 2K673	8 1/16 2K589	10 1/16 2K609	10 1/16 2K665	10 1/16 2K633			
			7 15/16 2K575	7 7/16 2K675	7 7/8 2K591	9 9/16 2K611	9 7/8 2K667	9 3/4 2K635			
			7 7/16 2K577	6 3/4 2K677	7 3/4 2K593	8 3/8 2K613	9 5/8 2K669	9 2K637			
			7 3/16 2K579	6 3/8 2K679	7 1/2 2K595	7 3/4 2K615	9 2K671	8 5/8 2K639			
			6 13/16 2K581	5 15/16 2K681	7 1/4 2K597	7 5/16 2K617	8 5/8 2K623	8 5/8 2K641			
			6 1/2 2K583	5 1/2 2K683	7 2K599	7 1/4 2K619	8 1/4 2K625	7 5/8 2K643			
			6 3/8 2K585	5 5/8 2K685	6 3/4 2K601	7 2K621	8 2K627				
			6 3/16 2K587	4 5/8 2K687	6 1/2 2K603		7 5/8 2K629				
					6 1/16 2K605		7 7/32 2K631				
					5 3/4 2K607						
				Sil-Brass	8 1/16 2K574	8 1/16 2K674	8 1/16 2K590	10 1/16 2K610	10 1/16 2K666	10 1/16 2K634	10 1/16 2K1010
					7 15/16 2K576	7 7/16 2K676	7 7/8 2K592	9 9/16 2K612	9 7/8 2K668	9 3/4 2K636	9 7/8 2K1011
					7 7/16 2K578	6 3/4 2K678	7 3/4 2K594	8 3/8 2K614	9 5/8 2K670	9 2K638	9 1/2 2K1012
					7 3/16 2K580	6 3/8 2K680	7 1/2 2K596	7 3/4 2K616	9 2K672	8 5/8 2K640	9 1/4 2K1013
					6 13/16 2K582	5 15/16 2K682	7 1/4 2K598	7 5/16 2K618	8 5/8 2K624	8 5/8 2K642	8 15/16 2K1014
					6 1/2 2K584	5 1/2 2K684	7 2K600	7 1/4 2K620	8 1/4 2K626	7 5/8 2K644	8 1/2 2K1015
					6 3/8 2K586	5 5/8 2K686	6 3/4 2K602	7 2K622	8 2K628		8 7/16 2K1016
					6 3/16 2K588	4 5/8 2K688	6 1/2 2K604		7 5/8 2K630		8 2K1017
							6 1/16 2K606		7 5/8 2K632		7 11/16 2K1018
							5 3/4 2K608				
3	Motor adapter 140-180JM	Cast Iron	1K114				1K319				
	-Seal 210JM		1K116				1K320				
	Motor adapter 140-180JP		1K371				1K381				
	-Packing 210TCZ		1K372				-				
4	Front wear ring	Cast Iron	4K265	4K350	4K352	4K267	4K265	4K350			
		Bronze	4K266	4K351	4K353	4K268	4K266	4K351	4K266		
5	Back wear ring	Cast Iron	-	-	-	-	-	-			
		Bronze	-	-	-	-	-	-			
6	Impeller bolt		13K43								
7	Impeller washer	AISI 303 SS	13L39								
8	Square key		4K11								
9	O-ring	BUNA	5K74			5K155					
		Viton	5K205			5K208					
		EPR	5K192			5K318					
10	Seal assembly Carbon/ceramic	BUNA	10K13								
	Carbon/Sil-carb.	EPR	10K19								
	Carbon/Sil-carb.	Viton	10K27								
	Sil-carb./Sil-carb.	Viton	10K64								
11	Shaft sleeve	300 SS	4K66								
	Seal packing		4K473								
12	3/8" NPT plug	Zinc	6K2			6K3					
13	Casing HD screw (Quantity 8)	Plated	13K69								
14	Motor screw (Quantity 4)	Steel	13K69 (140 & 180 JM/JP) and 13K102 (250 JM/JP & Frame)								
15	Packed box kit includes:										
	Gland Packing & lantern ring	316 SS	15K16								
16	Stud, gland (Quantity 2)	300 SS	13K295								
17	Hex nut, gland (Quantity 2)	300 SS	13K262								
	Loctite #271		AL27121								

### PUMP END PARTS FOR CLOSE-COUPLED WITH 250JM-360TCZ (MECHANICAL SEAL), 210JP-445TCZ (PACKED BOX) AND ALL FRAME MOUNTED CONFIGURATION 3656/3756 M-Group

**Note:** For M & L-Group power frame individual parts, see M & L-Group Power Frame repair parts page.

Item No.	Part Description	Material	Repair Part No.									
			7 AI/BF	16 AI/BF	10 AI/BF	8 AI/BF	11 AI/BF	12 AI/BF	17BF	21BF		
			2 1/2 x 3-8	3 x 4-8	4 x 5-8	1 1/2 x 2-10	2 1/2 x 3-10	3 x 4-10	4 x 6-10	2 1/2 x 3-9		
1	Casing	Cast Iron	1K130	1K316	1K238	1K132	1K236	1K237	1K351	1K236		
2	Impeller	Cast Iron	7 1/16 2K168	8 1/16 2K689	8 1/16 2K645	9 3/16 2K176	10 1/16 2K370	10 1/16 2K395				
			7 3/16 2K170	7 7/16 2K691	7 7/8 2K647	8 3/8 2K178	9 7/8 2K371	9 3/4 2K396				
			6 13/16 2K172	6 3/4 2K693	7 3/4 2K649	7 3/4 2K180	9 5/8 2K372	9 2K397				
			6 3/16 2K174	6 3/8 2K695	7 1/2 2K651	7 2K182	9 2K373	8 5/8 2K398				
			6 3/8 2K480	5 15/16 2K697	7 1/4 2K653	10 1/16 2K490	8 5/8 2K374	8 5/8 2K399				
			7 1/16 2K482	5 1/2 2K699	7 2K655	7 5/16 2K492	8 1/4 2K375	7 5/8 2K400				
				4 3/8 2K703	6 1/2 2K659	7 1/4 2K468	8 2K376					
					6 1/16 2K661		7 5/8 2K377					
					5 3/4 2K663		7 1/8 2K378					
		3	Motor adapter - <b>seal</b> 210TCZ-250JM & frame mounted 280JM-360TCZ	Cast Iron	1K136	1K317	1K317	1K138				
			1K242		1K318	1K318	1K243					
1K357	1K358		1K358		1K355							
1K359	1K360		1K360			1K356		-	1K356			
4	Front wear ring	Cast Iron	4K265	4K350	4K352	4K267	4K265	4K350	-			
		Bronze	4K266	4K351	4K353	4K268	4K266	4K351	4K363	4K265		
5	Back wear ring	Cast Iron	4K265	4K350	4K350	4K265	4K265	-	-			
		Bronze	4K266	4K351	4K351	4K266	4K266	4K266*	4K351	4K265		
6	Impeller bolt		13K155 (SAE Drive use 13K341)									
7	Impeller washer	AISI 303 SS	13K241									
8	Square key		4K261									
9	O-ring	BUNA	5K74			5K155						
		Viton	5K205			5K208						
		EPR	5K192			5K318						
10	Seal assembly Carbon/ceramic	BUNA	10K16									
	Carbon/Sil-carb.	EPR	10K20									
	Carbon/Sil-carb.	Viton	10K45									
	Sil-carb./Sil-carb.	Viton	10K65									
11	Shaft sleeve, mech. seal	SS	4K262									
	Shaft sleeve, packed box	SS	4K455									
12	3/8" NPT plug (Quantity 2)	Zinc	6K2			6K3						
13	Casing HD screw (Quantity 8)	Plated	13K69									
14	Motor screw (Quantity 4)	Steel	13K102 (250 JM/JP & frame mounted)				13K247 (280 JM/JP & larger)					
15	Packed box kit includes: Gland	316SS	15K3									
	Packing & lantern ring	Teflon										
16	Stud, gland (Quantity 2)	300 SS	13K291									
17	Hex nut, gland (Quantity 2)	300 SS	13K292									
	Loctite #271		AL27121									

\* 3500 RPM units

### PUMP END PARTS FOR CLOSE-COUPLED WITH 250JM-360TCZ (MECHANICAL SEAL), 210JP-445TCZ (PACKED BOX) AND ALL FRAME MOUNTED CONFIGURATION 3656/3756 M-Group

**Note:** For M & L-Group power frame individual parts, see M & L-Group Power Frame repair parts page.

Item No.	Part Description	Material	Repair Part No.		
			13 AI/BF	14 AI/BF	15 AI/BF
			2½ x 3-13	3 x 4-13	4 x 6-13
			M-Group	M-Group	M-Group
1	Casing	Cast Iron	1K239	1K240	1K479
2	Impeller	Cast Iron	13 <sup>1</sup> / <sub>16</sub> 2K407	13 <sup>1</sup> / <sub>16</sub> 2K419	13 <sup>1</sup> / <sub>16</sub> 2K979
			12 <sup>3</sup> / <sub>4</sub> 2K408	12 <sup>2</sup> / <sub>16</sub> 2K420	12 <sup>7</sup> / <sub>8</sub> 2K443
			11 <sup>1</sup> / <sub>8</sub> 2K409	12 <sup>2</sup> / <sub>16</sub> 2K421	12 <sup>1</sup> / <sub>2</sub> 2K444
			11 <sup>3</sup> / <sub>8</sub> 2K410	12 2K422	12 <sup>1</sup> / <sub>4</sub> 2K445
			9 <sup>7</sup> / <sub>8</sub> 2K411	11 <sup>3</sup> / <sub>4</sub> 2K423	11 <sup>7</sup> / <sub>8</sub> 2K446
			9 <sup>3</sup> / <sub>8</sub> 2K412	11 <sup>5</sup> / <sub>16</sub> 2K424	11 <sup>3</sup> / <sub>8</sub> 2K447
				10 <sup>3</sup> / <sub>4</sub> 2K425	11 <sup>1</sup> / <sub>16</sub> 2K448
				10 <sup>1</sup> / <sub>8</sub> 2K426	10 <sup>7</sup> / <sub>8</sub> 2K449
				9 <sup>1</sup> / <sub>8</sub> 2K427	10 <sup>1</sup> / <sub>2</sub> 2K450
				8 <sup>1</sup> / <sub>16</sub> 2K428	10 <sup>1</sup> / <sub>4</sub> 2K451
			8 2K429	9 <sup>7</sup> / <sub>8</sub> 2K452	
			7 <sup>7</sup> / <sub>16</sub> 2K430	9 <sup>3</sup> / <sub>8</sub> 2K453	
3	Motor adapter - <b>seal</b> 210TCZ-250JM and frame mounted 280JM-360TCZ	Cast Iron	1K244		
			1K245		
	Motor adapter - <b>packing</b> 210JP-250JP and frame mounted 280JP-360TCZ		1K361		
			1K362		
4	Front wear ring	Cast Iron	4K265	4K350	4K362
		Bronze	4K266	4K351	4K363
5	Back wear ring	Cast Iron	4K350	4K350	4K350
		Bronze	4K351	4K351	4K351
6	Impeller bolt		13K155		
7	Impeller washer	AISI 303 SS	13K241		
8	Square key		4K261		
9	O-ring	BUNA	5K199		
		Viton	5K209		
10	Seal assembly Carbon/ceramic	BUNA	10K16		
	Carbon/Sil-carb.	EPR	10K20		
	Carbon/sil-carb.	Viton	10K45		
	Sil-carb./sil-carb.	Viton	10K65		
11	Shaft sleeve, mech. seal	SS	4K262		
	Shaft sleeve, packed box	SS	4K455		
12	¾" NPT plug (Quantity 2)	Zinc Plated	6K3		
13	Casing HD screw (Quantity 8)		13K102		
14	Motor screw (Quantity 4)	Steel	13K102 (250JM/250JP and frame mounted) 13K247 (280JM/JP and larger)		
15	Packed box kit includes: Gland	316SS	15K3		
	Packing & lantern ring	Teflon			
16	Stud, gland (Quantity 2)	300SS	13K291		
17	Hex nut, gland (Quantity 2)	300SS	13K292		
	Loctite #271		AL27121		

### PUMP END PARTS FOR CLOSE-COUPLED WITH 250JM-360TCZ (MECHANICAL SEAL), 210JP-445TCZ (PACKED BOX) AND ALL FRAME MOUNTED CONFIGURATION 3656/3756 L-Group

**Note:** For M & L-Group power frame individual parts, see M & L-Group Power Frame repair parts page.

Item No.	Part Description	Material	Repair Part No.							
			18BF	18BF	19 BF	20BF				
			6 x 8-13	6 x 8-13	8 x 10-13	4 x 6-16				
			M-Group		L-Group					
1	Casing	Cast Iron	1K352	1K352	1K353	1K354				
2	Impeller	Sil-Brass	<b>1180 RPM</b>							
			9½	2K851		9¾	2K897			
			10	2K850		10⅞	2K896			
			10½	2K849		11¼	2K895			
			10⅞	2K848		11⅝	2K894			
			11⅞	2K847		11⅞	2K893			
			11⅞	2K846		12⅝	2K892			
			11⅞	2K889		12¾	2K891			
			12⅝	2K888		13	2K890			
			12½	2K887						
			13	2K886						
			<b>1750 RPM</b>							
			11⅝	2K846	13	2K842	13	2K860	16	2K873
			11⅞	2K847	12½	2K843	12¾	2K861	15⅞	2K874
			10⅞	2K848	12⅝	2K844	12⅞	2K862	15⅞	2K875
			10½	2K849	11⅞	2K845	11⅞	2K863	14½	2K876
			10	2K850	11⅞	2K880	11⅞	2K864	13¾	2K877
			9½	2K851	11⅞	2K881	11¼	2K865		
					10⅞	2K882	10⅞	2K866		
		10½	2K883	9¾	2K867					
		10	2K884							
		9½	2K885							
3	<b>Motor adapter - Mech. seal</b> Frame Mounted 210JP-250JP 280-360TCZ 360JP-400TCZ 440TCZ	Cast Iron	-	1K377		1K379				
			1K377	1K377		1K379				
			1K378	1K378		1K380				
			-	1K480 & 1K412		-				
			-	1K373		1K375				
			1K373	1K373		1K375				
				1K374		1K376				
4	Front wear ring	Bronze	-		1K480 & 1K412		-			
5	Back wear ring	Bronze	4K475	4K476		4K477				
6	Impeller bolt		13K155 (SAE Drive use 13K341)							
7	Impeller washer	AISI 303 SS	13K290							
8	Square key		4K460							
9	O-ring	BUNA	5K199		5K298					
		Viton	5K209		5K299					
10	<b>Seal assembly (Stat / Rot)</b> Ceramic/carbon	BUNA	10K84							
	Sil-carb./Carbon	Viton	10K112							
	Sil-carb./sil-carb.	Viton	10K144							
11	<b>Shaft sleeve, mech. seal</b> Frame Mounted 210-320	300 SS	-	4K457						
	360-440TCZ		4K457							
			4K459							
	<b>Shaft sleeve, packed box</b> Frame Mounted 210-320		-	4K456						
	360-440TCZ		4K456							
	4K458									
12	Plug, casing (Quantity 2)		6K3							
13	Bolt, casing (Quantity 8)		13K69							
14	<b>Bolt, motor (Quantity 4)</b> Frame Mounted 210-250	Zinc Plated Steel	13K102 (Quantity 4)							
	280-405TCZ		13K247 (Quantity 4)							
	445TCZ		13K247 (Quantity 8)							
15	<b>Packed box kit includes:</b> Gland	316SS	15K4							
	Packing & lantern ring	Teflon								
16	Stud, gland (Quantity 2)	300SS	13K291							
17	Hex nut, gland (Quantity 2)	300SS	13K292							

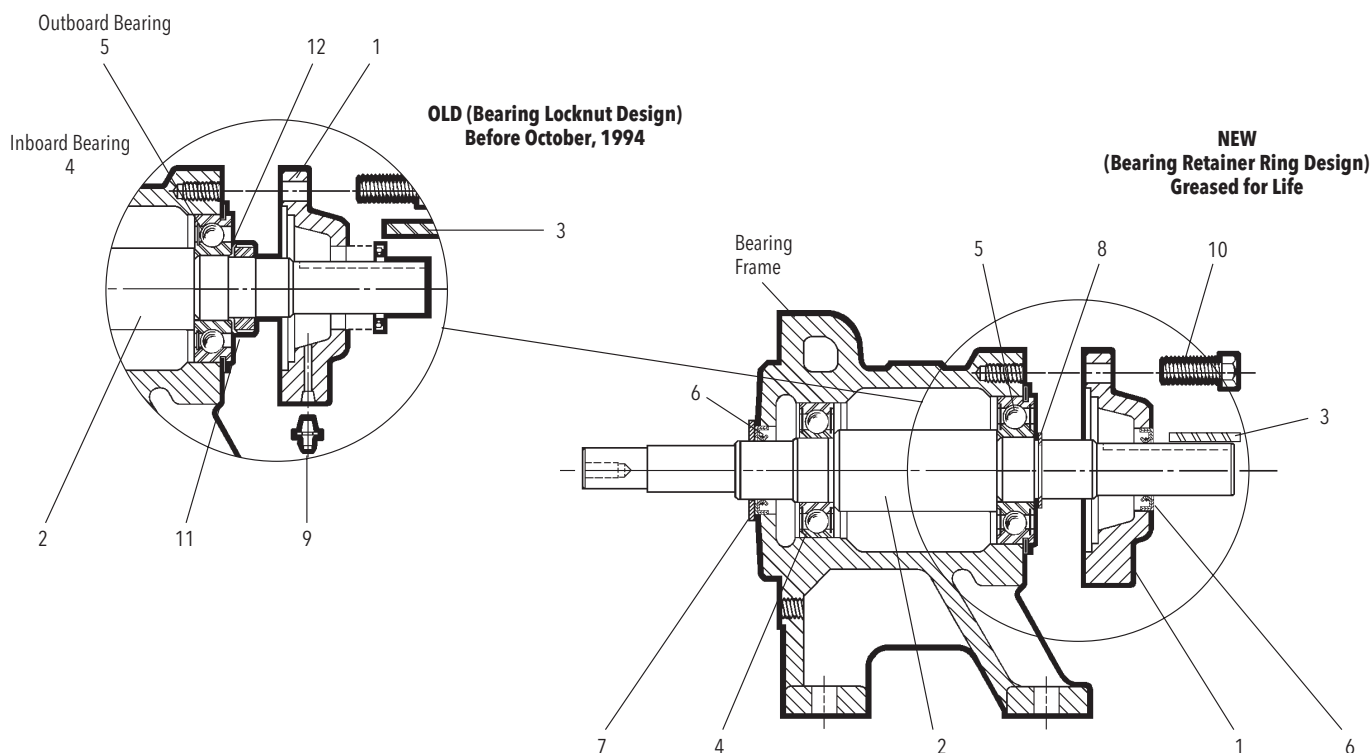


## Commercial Water Systems

### S-GROUP POWER FRAMES AND PARTS

#### 3756/3757/SSH S-Group

- 14L52 - Complete assembly for mechanical seal pumps.
- 15K17 - Complete assembly for packed box pumps.



#### Complete Bearing Frame Assemblies:

Order 14L52 for mechanical seal models.

Order 15K17 for packed box models.

ITEM NO.	OLD Regreasable	NEW Grease for life	DESCRIPTION	MATERIAL	PATTERN NO.
1	1K437	1K322	Bearing cover	Cast iron	59027
2	4K277 -	4K410 4K478	Shaft - mechanical seal Shaft - packed box	Steel Steel	
3	4K278	4K278	Key - motor end	Steel	
4	4K279	4K412	Inboard bearing	Steel	
5	4K280	4K413	Outboard bearing	Steel	
6	5K159	5K159	Lip seal	BUNA/steel	
7	5K160	5K160	Deflector	BUNA-N	
8	NA	5K245	Retaining ring	Steel	
9	6K80	NA	Grease fitting - frame and bearing cover	Steel	
10	13K80	13K80	Hex head cap screw - bearing cover	Steel	
11	13K166	NA	Locknut	Steel	
12	13K167	NA	Lockwasher	Steel	

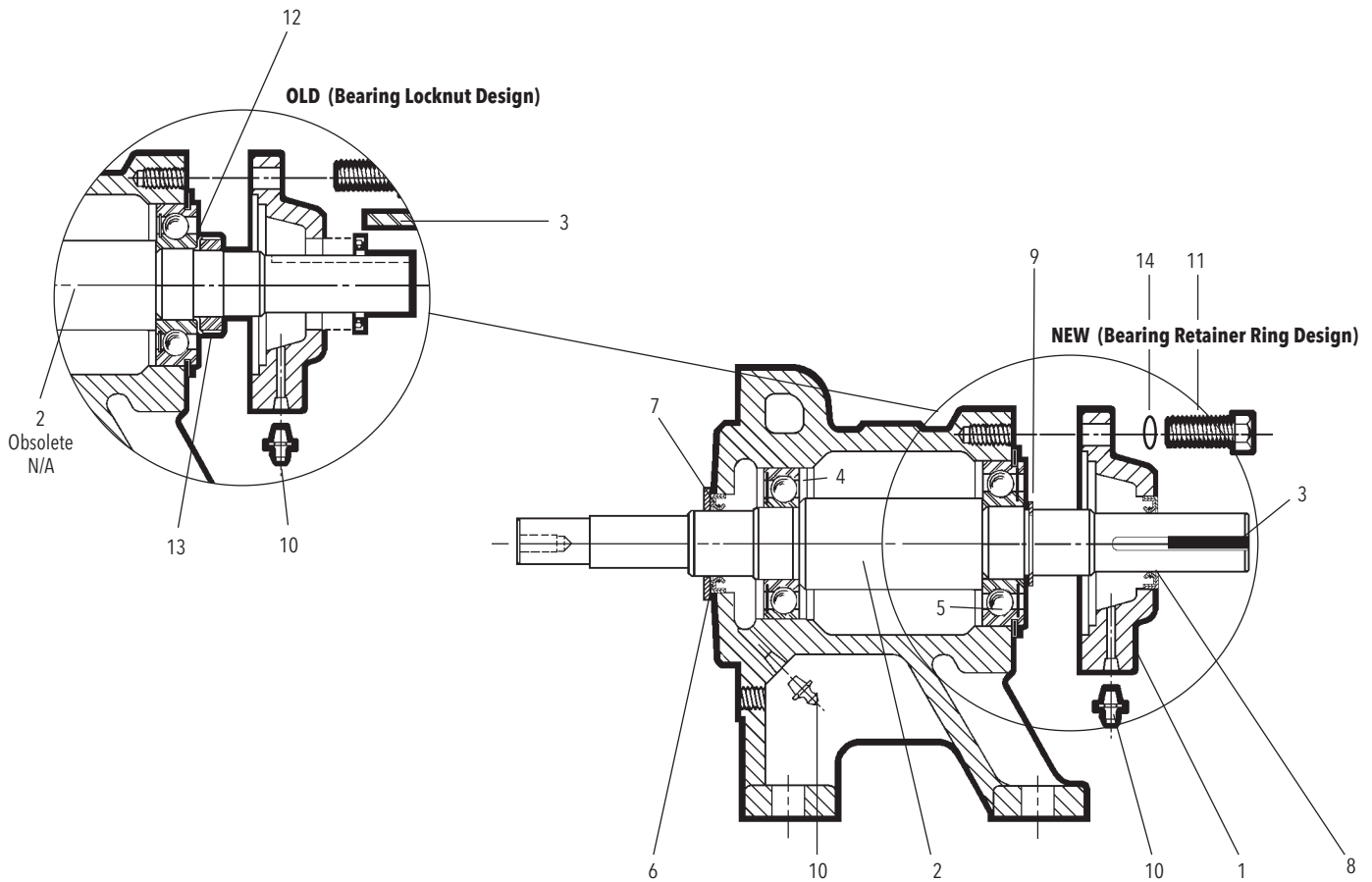
For parts pricing and package stock quantities refer to published parts price list using "K" part no. listed above.

Shaft and mounting face duplicates NEMA 184JM dimensions.

### M&L-GROUP POWER FRAME

#### 3756/3757/SSH M&L-Group

For models 3756, 3757 and SSH mechanical seal pumps and 3756 packed box pumps.



## Commercial Water Systems

### M&L-GROUP POWER FRAME REPAIR PARTS

#### 3756/3757/SSH M&L-Group

For models 3756, 3757 and SSH mechanical seal pumps and 3756 packed box pumps.

#### M-Group:

ITEM NO.	PART NO.	DESCRIPTION	MATERIAL	PATTERN NO.
	14L60	Power Frame Complete, Mechanical Seal Pump		
	15K6	Power Frame Complete, Packed Box Pump		
1	1K147	Bearing cover	Cast iron	59056
2	4K411	Shaft - mechanical seal version	Steel	
	4K453	Shaft - packed box version	Steel	
3	4K292	Shaft key - motor end	Steel	
4	4K293	Ball bearing - inboard	Steel	
5	4K556	Ball bearing - outboard	Steel	
6	5K163	Deflector	BUNA-N	
7	5K164	Lip seal - inboard	BUNA/Steel	
8	5K164	Lip seal - mechanical seal	BUNA/Steel	
	5K280	Lip seal - packed box	BUNA/Steel	
9	5K246	Retaining ring	Steel	
10	6K80	Grease fitting - frame and bearing cover	Steel	
11	13K80	Hex head cap screw - $\frac{3}{8}$ " - 16 x 1.25	Zinc-Plated Steel	
12	13K183	Lockwasher	Zinc-Plated Steel	
13	13K184	Locknut	Zinc-Plated Steel	
14	13K158	Lockwasher $\frac{3}{8}$ "	Zinc-Plated Steel	

For parts pricing and package stock quantities refer to published parts price list using "K" part no. listed above.

Shaft and mounting face duplicates NEMA 254JM dimensions.

#### L-Group:

ITEM NO.	PART NO.	DESCRIPTION	MATERIAL	PATTERN NO.
	15K7	Power Frame Complete (Mechanical Seal or Packed Box)		
1	1K147	Bearing cover	Cast iron	59056
2	4K454	Shaft	Steel	
3	4K292	Shaft key - motor end (not shown)	Steel	
4	4K293	Ball bearing - inboard	Steel	
5	4K469	Ball bearing - outboard	Steel	
6	5K163	Deflector	BUNA-N	
7	5K164	Lip seal - inboard	BUNA/Steel	
8	5K280	Lip seal - outboard	BUNA/Steel	
9	5K246	Retaining ring	Steel	
10	6K80	Grease fitting - frame and bearing cover	Zinc-Plated Steel	
11	13K80	Hex head cap screw - bearing cover	Zinc-Plated Steel	
14	13K158	Lockwasher $\frac{3}{8}$ "	Zinc-Plated Steel	

For parts pricing and package stock quantities refer to published parts price list using "K" part no. listed above.

# Xylem |'zīləm|

- 1) The tissue in plants that brings water upward from the roots;
- 2) a leading global water technology company.

We're a global team unified in a common purpose: creating advanced technology solutions to the world's water challenges. Developing new technologies that will improve the way water is used, conserved, and re-used in the future is central to our work. Our products and services move, treat, analyze, monitor and return water to the environment, in public utility, industrial, residential and commercial building services, and agricultural settings. With its October 2016 acquisition of Sensus, Xylem added smart metering, network technologies and advanced data analytics for water, gas and electric utilities to its portfolio of solutions. In more than 150 countries, we have strong, long-standing relationships with customers who know us for our powerful combination of leading product brands and applications expertise with a strong focus on developing comprehensive, sustainable solutions.

**For more information on how Xylem can help you, go to [www.xylem.com](http://www.xylem.com)**



Xylem Inc.  
2881 East Bayard Street Ext., Suite A  
Seneca Falls, NY 13148  
Phone: (800) 453-6777  
Fax: (888) 322-5877  
[www.gouldswatertechnology.com](http://www.gouldswatertechnology.com)

Goulds is a registered trademark of Goulds Pumps, Inc. and is used under license.  
© 2017 Xylem Inc. R36/3756 R2 November 2017