

# Laboratory Gas Fine Control Needle Valves

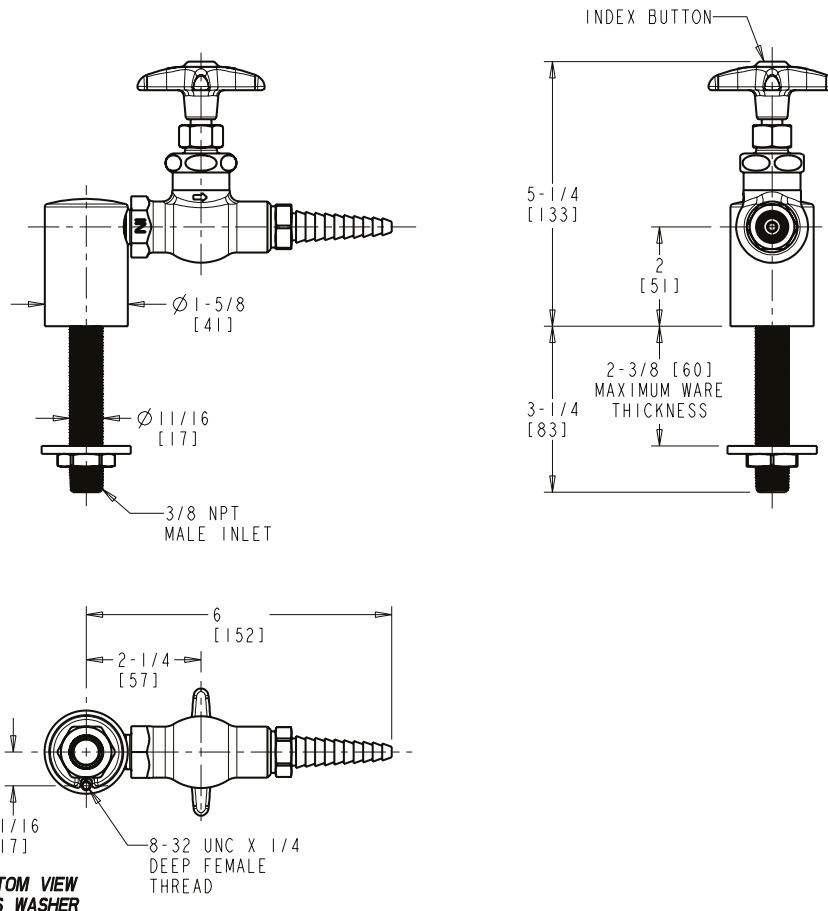
## LGF1-A11B-10

### Straight Pattern Valve

- Multi Turn Compression Cartridge
- Cartridge Features Stainless Steel Seat and Needle
- Metal Handle with Index Button
- Straight Serrated Nozzle
- Service: Vacuum
- Turret with One Side Outlet and Shank
- Solid Brass Valve Construction
- Fully Assembled and Tested

#### Agency Certifications

ASME A112.18.1/CSA B125.1



Note: All dimensions are in inches and [millimeters].

#### For Technical Assistance:

Phone: 800-TEC-TRUE (832-8783)

Email: techsupport.us@chicagofaucets.com

The Chicago Faucet Company

2100 South Clearwater Drive

Des Plaines, IL 60018

Phone: 847-803-5000

Fax: 847-803-5454

Technical: 800-832-8783

www.chicagofaucets.com