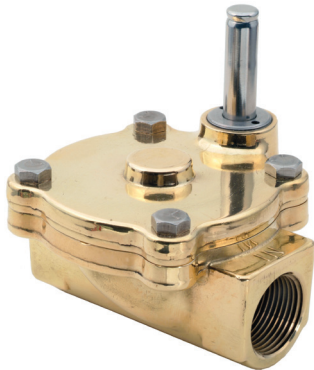


210CA / 211CA SERIES INDUSTRIAL SOLENOID VALVES



3/8", 1/2", 3/4"



1" ONLY

The 210CA/211CA is a 2-way normally closed valve used in air, water and steam applications. The 210CA valve is pilot-operated and the 211CA valve is direct-acting.

FEATURES

- Unique captive diaphragm and seal
- Superior life with stainless steel enclosing tube
- Repair kits available

SPECIFICATIONS

Watts	12 AC
VA Inrush.....	31
VA Holding	19
Maximum Working Pressure.....	300 psi (21 bar), 250 psi (17 bar) on 1" 210C only
Weight	1 lbs. 3 oz.
Diaphragm Operated Solenoid Valve Pressure	210CA - from 5 to 150 psi (0.34 to 10 bar)
.....	3/8" to 1" NPT, 211CA - from 0 to 100 psi (0 to 7 bar) 3/8" to 3/4" NPT
UL/CUL file number	MP604

210CA SERIES INDUSTRIAL SOLENOID VALVES

DESCRIPTION	PORT SIZE (IN)	CONN. SIZE	MOPD AC	CV	MAX. AC FLUID TEMP. ¹	ELASTOMER	SUGGESTED COIL	MODEL NUMBER	ITEM NUMBER
Brass General Purpose	5/8	1/2"	150	3.6	180°F	BUNA-N	AMG	210CA 1/2B5/8BVLC	030620
Brass General Purpose	5/8	3/8"	150	2.8	180°F	BUNA-N	AMG	210CA 3/8B5/8BVLC	030619
Brass General Purpose	3/4"	3/4"	125	5.5	180°F	BUNA-N	AMG	210CA 3/4B3/4BVLC	030621
Brass General Purpose	1	1"	125	13	180°F	BUNA-N	AMG	210CA 1B1BVLC	038629
Brass-Hot Water (210°F) or Steam (To 250°)	5/8	1/2"	100 ² , 15 ³	3.6	250°F	ETHYLENE PROPYLENE	AMG	210CA 1/2B5/8PVLC	030623
Brass-Hot Water (210°F) or Steam (To 250°)	3/4	3/4"	100 ² , 15 ³	5.5	250°F	ETHYLENE PROPYLENE	AMG	210CA 3/4B3/4PVLC	030624

¹ With an ambient temperature of 77°F
² MOPD-Hot Water
³ MOPD-Steam
 VLC -See coil assemblies for availability

211CA SERIES INDUSTRIAL SOLENOID VALVES

DESCRIPTION	PORT SIZE (IN)	CONN. SIZE	MOPD AC	CV	MAX. AC FLUID TEMP. ¹	ELASTOMER	SUGGESTED COIL	MODEL NUMBER	ITEM NUMBER
Brass General Purpose	5/8	3/8"	100	2.8	180°F	BUNA-N	AMG	211CA 3/8B5/8BVLC	030625
Brass General Purpose	5/8	1/2"	100	3.6	180°F	BUNA-N	AMG	211CA 1/2B5/8BVLC	030626
Brass General Purpose	3/4	3/4"	100	5.5	180°F	BUNA-N	AMG	211CA 3/4B3/4BVLC	030627
Brass-Hot Water (210°F) or Steam (TO 250°)	5/8	3/8"	100 ² , 15 ³	2.8	250°F	ETHYLENE PROPYLENE	AMG	211CA 3/8B5/8PVLC	032303
Brass-Hot Water (210°F) or Steam (TO 250°)	5/8	1/2"	100 ² , 15 ³	3.6	250°F	ETHYLENE PROPYLENE	AMG	211CA 1/2B5/8PVLC	032304
Brass-Hot Water (210°F) or Steam (TO 250°)	3/4	3/4"	100 ² , 15 ³	5.5	250°F	ETHYLENE PROPYLENE	AMG	211CA 3/4B3/4PVLC	032305

¹ With an ambient temperature of 77°F
² MOPD-Hot Water
³ MOPD-Steam
 VLC -See coil assemblies for availability

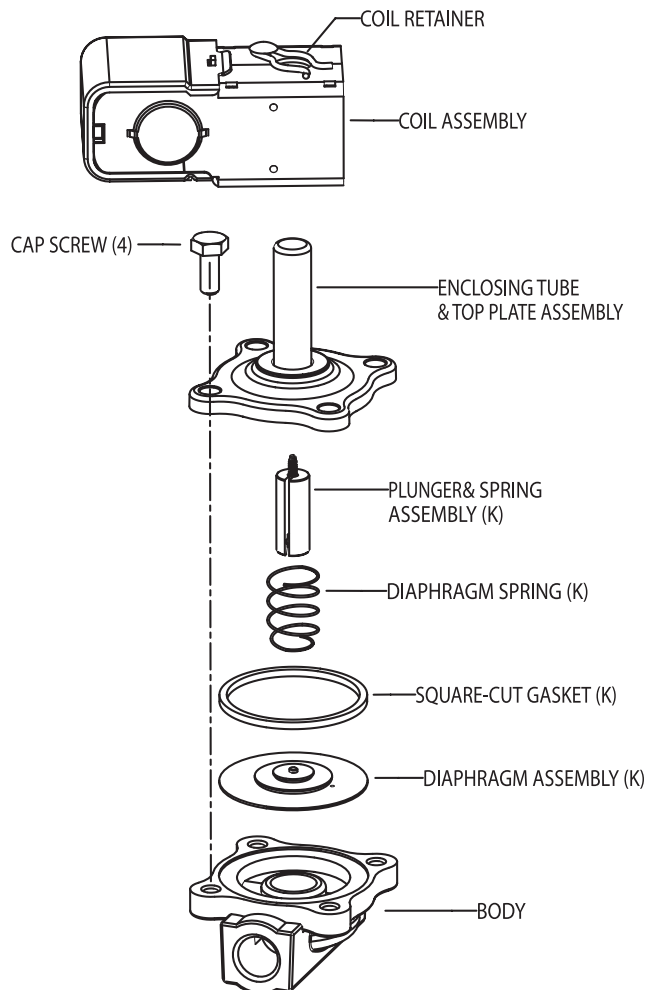
EXPLODED VIEW & PARTS KIT DATA

210CA COMPLETE VALVE REPAIR KITS

SEAT MATERIAL	CONNECTION SIZE (IN)	MODEL NUMBER	ITEM NUMBER
BUNA-N	3/8 & 1/2	K-1155	028964
ETHYLENE PROPYLENE	3/8 & 1/2	K-1156	029856
BUNA-N	1	K-1177	038934
BUNA-N	3/4	K-1231	045072
ETHYLENE PROPYLENE	3/4	K-1232	045083

211CA COMPLETE VALVE REPAIR KITS

SEAT MATERIAL	MODEL NUMBER	ITEM NUMBER
BUNA-N	K-1157	034357
ETHYLENE PROPYLENE	K-1158	039879



VALVE REPAIR KIT

(K) indicates part is supplied in valve repair kit.