

**SEER2 13.4 & SEER2 14.3  
CENTRAL AIR CONDITIONERS**

# INSTALLATION AND OPERATING MANUAL

Conforms to UL Standard 1995.  
Certified to CSA C22.2 No. 60335-2-40:17.

**INSTALLER:** PLEASE FAMILIARIZE YOURSELF WITH VENTING/ DRAINING SECTIONS OF THIS MANUAL BEFORE PROCEEDING WITH THE INSTALLATION. LEAVE THIS MANUAL WITH THE APPLIANCE FOR FUTURE REFERENCE.

**CONSUMER:** RETAIN THIS MANUAL FOR FUTURE REFERENCE.

## SAFETY INFORMATION

### **! WARNING !**

#### **ELECTRICAL SHOCK, FIRE OR EXPLOSION HAZARD**

Failure to follow safety warnings exactly could result in serious injury, death or property damage.

Unit contains R-410A refrigerant and POE compressor oil! Use only R-410A refrigerant and approved-POE compressor oil. Refrigerant lines must be brazed and rated for R-410 pressures!

This information is intended for use by qualified HVAC technicians possessing adequate backgrounds of electrical and mechanical experience. Any attempt to repair a central air conditioning product may result in personal injury and/or property damage. The manufacturer or seller cannot be responsible for the interpretation of this information, nor can it assume any liability in connection with its use.

Proper service equipment is required. Use only R-410A approved service equipment. Failure to use proper service tools may result in equipment damage or personal injury.

Installation shall be made in accordance with the requirements of the local utility and other authorities having jurisdiction. The National Electrical Code in the United States and the Canadian Electrical Code CSA C22.1 Part 1 (latest edition) in Canada. Any alteration of internal wiring will void certification and warranties.



Wolf Steel Ltd., 24 Napoleon Rd., Barrie, ON, L4M 0G8 Canada/  
103 Miller Drive, Crittenden, Kentucky, USA, 41030

**MANUFACTURER RESERVES THE RIGHT TO DISCONTINUE, OR CHANGE AT ANY TIME, SPECIFICATIONS OR DESIGNS WITHOUT NOTICE AND WITHOUT INCURRING OBLIGATIONS.**

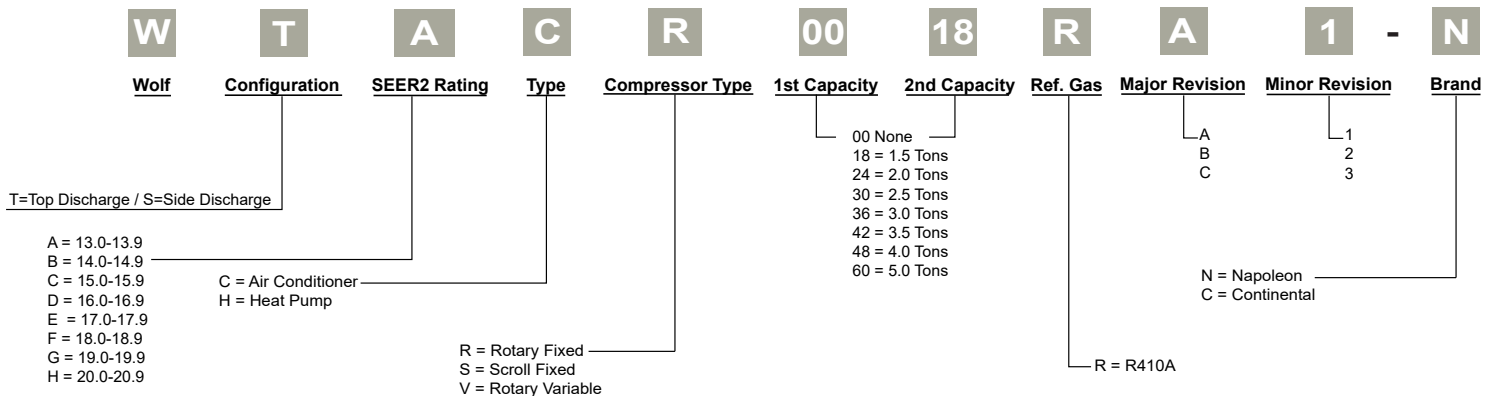
# 2 TABLE OF CONTENTS

IOM

<b>1. MODEL NOMENCLATURE</b> .....	<b>2</b>
<b>2. OVERVIEW</b> .....	<b>3</b>
<b>3. SAFETY</b> .....	<b>3</b>
3.1 SAFETY SYMBOLS .....	3
3.2 SAFETY RULES .....	4
<b>4. LIMITATIONS</b> .....	<b>5</b>
3.3 CODES .....	5
<b>5. LOCATION AND CLEARANCE</b> .....	<b>6</b>
5.1 CLEARANCE .....	6
5.2 LOCATION RESTRICTIONS .....	6
<b>6. INSTALLATION</b> .....	<b>7</b>
6.1 SUPPORT .....	7
6.2 UNIT PLACEMENT .....	7
6.3 REFRIGERANT LINE SET INSTALLATION .....	8
<b>7. EVACUATION</b> .....	<b>13</b>
7.1 EVACUATE THE REFRIGERANT LINES AND INDOOR COIL .....	13
<b>8. SERVICE VALVES</b> .....	<b>14</b>
8.1 OPEN THE SERVICE VALVES .....	14
<b>9. ELECTRICAL</b> .....	<b>15</b>
9.1 HIGH VOLTAGE .....	15
<b>10. START UP</b> .....	<b>19</b>
<b>11. SYSTEM CHARGE ADJUSTMENT</b> .....	<b>20</b>
11.1 SYSTEM TOTAL CHARGE .....	20
11.2 ADJUSTING SYSTEM CHARGE FOR SYSTEMS USING THERMOSTATIC EXPANSION VALVES .....	20
11.3 ADJUSTING SYSTEM CHARGE FOR SYSTEMS USING FIXED ORIFICE .....	21
11.4 RECORD SYSTEM INFORMATION .....	21
<b>12. CHECKOUT PROCEDURES</b> .....	<b>22</b>
12.1 INSTRUCTING THE OWNER .....	22
12.2 CHECKOUT PROCEDURE .....	22
12.3 SYSTEM OPERATION CHECKOUT PROCEDURE .....	22
<b>13. AIR CONDITIONING TROUBLESHOOTING</b> .....	<b>23</b>
<b>14. MAINTENANCE</b> .....	<b>25</b>
14.1 INDOOR .....	25
14.2 OUTDOOR .....	25
<b>15. REPLACEMENT PARTS</b> .....	<b>26</b>
15.1 PARTS LIST .....	26
15.2 EXPLODED VIEW .....	28
15.3 ACCESSORIES .....	29
<b>16. WARRANTY</b> .....	<b>30</b>
<b>17. SERVICE HISTORY</b> .....	<b>31</b>
<b>18. OWNER'S SERVICE INFORMATION</b> .....	<b>32</b>
<b>19. NOTES</b> .....	<b>33</b>

**SHIPPING INSPECTION:** The unit is shipped in one package, completely assembled and wired. Inspect the shipping container immediately upon receiving your unit. If it appears that damage has occurred, it should be noted on the freight bill before signing. Damage claims should be filed with the carrier as quickly as possible. Check the rating plate (at the front of the access panel) to confirm cooling capacities. The unit **MUST** be operated only with the type of refrigerant, oil and electrical supply noted on the rating plate.

## 1. MODEL NOMENCLATURE



## 2. OVERVIEW

These instructions cover installation of Continental Split System Air Conditioners. Continental's line of Split Air Conditioners offer industry leading quality and reliability. All outdoor units have been factory run-tested and ready for easy installation.

Continental's line of Split Air Conditioners are designed to perform for many years. These instructions are intended as an aid to the licensed service technician to properly install the unit. Improper installation may damage equipment, void the warranty, and can create a hazard, resulting in property damage, injury or death.

Our air conditioning systems and components are designed to be installed by qualified HVAC technicians ONLY. The installation of air conditioning systems includes electrical and refrigerant connections and is regulated by a multiple sets of laws, codes and guidelines, at the federal, state and local levels. It is the installer's responsibility to install the product in accordance with all applicable codes and regulations. It is the homeowner's responsibility to properly maintain the equipment. NO WARRANTY is offered for the products that were installed by unlicensed/unauthorized persons. Failure to comply with this policy could lead to violations of applicable laws that are punishable.

Documentation and specifications are continuously updated and subject to change. Please download the latest version of specifications and manuals at <http://continentalheatingandcooling.com>.

## 3. SAFETY

### 3.1 SAFETY SYMBOLS

Understand and pay particular attention to the words DANGER, WARNING, and CAUTION and the following defined symbols are used throughout this manual to notify the reader of potential hazards of varying risk levels.

#### **⚠ DANGER ⚠**

**INDICATES AN IMMINENTLY HAZARDOUS SITUATION WHICH, IF NOT AVOIDED, WILL RESULT IN DEATH OR SERIOUS INJURY.**

#### **⚠ WARNING ⚠**

**INDICATES A POTENTIALLY HAZARDOUS SITUATION WHICH, IF NOT AVOIDED, COULD RESULT IN DEATH OR SERIOUS INJURY.**

#### **⚠ CAUTION ⚠**

**INDICATES A POTENTIAL HAZARDOUS SITUATION WHICH, IF NOT AVOIDED, MAY RESULT IN MINOR OR MODERATE INJURY. IT MAY ALSO BE USED TO ALERT AGAINST UNSAFE PRACTICES.**

#### **⚠ IMPORTANT ⚠**

**SUGGESTS IMPORTANT PROCEDURE STEPS TO INSURE PROPER INSTALLATION, RELIABILITY, OR OPERATION.**

#### **NOTE**

**HIGHLIGHTS SUGGESTIONS WHICH WILL RESULT IN ENHANCED INSTALLATION, RELIABILITY, OR OPERATION.**

### 3.2 SAFETY RULES

**IMPORTANT:**

READ THE FOLLOWING INSTRUCTIONS COMPLETELY BEFORE INSTALLING!

H6.0

#### ⚠ WARNING ⚠

THIS INFORMATION IS INTENDED FOR USE BY QUALIFIED HVAC TECHNICIANS POSSESSING ADEQUATE BACKGROUNDS OF ELECTRICAL AND MECHANICAL EXPERIENCE. ANY ATTEMPT TO REPAIR A CENTRAL AIR CONDITIONING PRODUCT MAY RESULT IN PERSONAL INJURY AND/OR PROPERTY DAMAGE. THE MANUFACTURER OR SELLER CANNOT BE RESPONSIBLE FOR THE INTERPRETATION OF THIS INFORMATION, NOR CAN IT ASSUME ANY LIABILITY IN CONNECTION WITH ITS USE.

#### ⚠ CAUTION ⚠

UNIT CONTAINS R-410A REFRIGERANT AND POE COMPRESSOR OIL. USE ONLY R-410A REFRIGERANT AND APPROVED POE COMPRESSOR OIL. REFRIGERANT LINES MUST BE BRAZED AND RATED FOR R410 PRESSURES! PROPER SERVICE EQUIPMENT IS REQUIRED. USE ONLY R-410A APPROVED SERVICE EQUIPMENT. FAILURE TO USE PROPER SERVICE TOOLS MAY RESULT IN EQUIPMENT DAMAGE OR PERSONAL INJURY.

ALL R-410A SYSTEMS USE POE OIL. POE OIL EASILY ABSORBS MOISTURE FROM THE AIR. A SYSTEM WHICH HAS BEEN EXPOSED TO THE ATMOSPHERE FOR MORE THAN 4 HOURS REQUIRES THAT THE COMPRESSOR OIL BE REPLACED. NEVER BREAK A VACUUM WITH AIR AND ALWAYS CHANGE THE FILTER DRIER WHEN OPENING THE SYSTEM FOR COMPONENT REPLACEMENT.

#### ⚠ WARNING ⚠

HOT SURFACE! DO NOT TOUCH TOP OF COMPRESSOR. COMPRESSOR AND DISCHARGE PIPES MAY BE EXTREMELY HOT. IT MAY CAUSE MINOR TO SEVERE BURNING.

#### ⚠ CAUTION ⚠

DURING INSTALLATION, TESTING, SERVICING, AND TROUBLESHOOTING OF THIS PRODUCT, IT MAY BE NECESSARY TO WORK WITH ELECTRICAL COMPONENTS. THERE IS A RISK OF ELECTRIC SHOCK. IT CAN CAUSE INJURY OR DEATH: DISCONNECT ALL REMOTE ELECTRIC POWER SUPPLIES BEFORE SERVICING!

H3.3\_AC

#### ⚠ WARNING ⚠

THESE INSTRUCTIONS ARE INTENDED AS AN AID TO QUALIFIED SERVICE PERSONNEL FOR PROPER INSTALLATION, ADJUSTMENT AND OPERATION OF THIS UNIT. READ THESE INSTRUCTIONS THOROUGHLY BEFORE ATTEMPTING INSTALLATION OR OPERATION. FAILURE TO FOLLOW THESE INSTRUCTIONS MAY RESULT IN IMPROPER INSTALLATION, ADJUSTMENT, SERVICE OR MAINTENANCE, POSSIBLY RESULTING IN FIRE, ELECTRICAL SHOCK, EXPLOSION, PROPERTY DAMAGE, PERSONAL INJURY OR DEATH.

H3.4.3\_AC

#### NOTE

USE ONLY AUTHORIZED HVAC PARTS. USE OF OTHER PARTS MAY VOID WARRANTY OR ADVERSELY IMPACT PERFORMANCES.

1. Only trained service technicians familiar with standard service instructions and training materials should attempt installation, service, and repair of these units. Failure to follow these instructions may result in improper installation, adjustment, alteration, service, maintenance, or use that can cause explosion, fire, electrical shock, or other conditions which may cause death, personal injury, or property damage. For information or assistance, consult a qualified installer, service agency, your distributor or branch.
2. Unit contains R-410A refrigerant and POE compressor oil! Use only R-410A refrigerant and approved POE compressor oil. Refrigerant lines must be brazed and rated for R-410A pressures!
3. Follow all safety codes.
4. Wear safety glasses, protective clothing, and work gloves.
5. Have fire extinguisher available.
6. Read instructions thoroughly and follow all warnings or cautions included in literature and attached to the unit. Consult federal, provincial, state, and local codes for special requirements.

⚠ **WARNING** ⚠

**REFRIGERANT UNDER PRESSURE!**

**ALWAYS PRACTICE SAFE HANDLING OF REFRIGERANTS. FAILURE TO FOLLOW PROPER PROCEDURES MAY CAUSE PROPERTY DAMAGE, PERSONAL INJURY OR DEATH.**

**REFRIGERANTS ARE HEAVIER THAN AIR AND CAN CAUSE SUFFOCATION. TO AVOID POSSIBLE DIFFICULTY IN BREATHING OR DEATH:**

- NEVER PURGE REFRIGERANT INTO AN ENCLOSED ROOM OR SPACE. BY LAW, ALL REFRIGERANTS MUST BE RECLAIMED.**
- IF AN INDOOR LEAK IS SUSPECTED, THOROUGHLY VENTILATE THE AREA BEFORE BEGINNING WORK.**
- LIQUID REFRIGERANT CAN BE VERY COLD. TO AVOID POSSIBLE FROSTBITE OR BLINDNESS, AVOID CONTACT AND WEAR GLOVES AND GOGGLES. IF LIQUID REFRIGERANT DOES CONTACT YOUR SKIN OR EYES, SEEK MEDICAL HELP IMMEDIATELY.**
- NEVER BURN REFRIGERANT, AS POISONOUS GAS WILL BE PRODUCED.**

IOM

H3.95

### 3.3 CODES

**This unit must be installed in accordance with all local codes, by-laws and regulations by those authorities having jurisdiction.**

**Electrical connections must be made in accordance with:**

- a. Canada: current edition of CAN/CSA C22.1 and C22.2, Canadian Electrical Code (Part 1 and 2).
- b. United States: current edition of ANSI/NFPA 70, National Electrical Code.

**Codes and additional information may be obtained from:**

Canadian Standards Association  
5060 Spectrum Way  
Mississauga, Ontario, L4W 5N6  
Phone: (416) 747-4000  
website: www.csa.ca

National Fire Protection Association  
1 Batterymarch Park  
Quincy, MA, 02169-7471  
Phone: (617) 770-3000  
website: www.nfpa.org

American Gas Association  
400 North Capitol Street, NW,  
Suite 450  
Washington DC, 20001  
Phone: (202) 824-7000  
website: www.aga.org

## 4. LIMITATIONS

The unit should be installed in accordance with all National, Provincial/State and Local Safety Codes and the limitations listed below:

1. Limitations for the indoor unit, coil, and appropriate accessories must also be observed.
2. The outdoor unit must not be installed with any duct work in the air stream. The outdoor fan is the propeller type and is not designed to operate against any additional external static pressure.
3. The maximum and minimum conditions for operation must be observed to assure a system that will give maximum performance with minimum service.

Ambient Air Temperature on Outdoor Coil		Air Temperature on Indoor Coil	
Min. DB	Max. DB	Min. WB	Max. WB
50 °F (10 °C)	115 °F (46 °C)	57 °F (14 °C)	72 °F (22 °C)

**TABLE 1.**

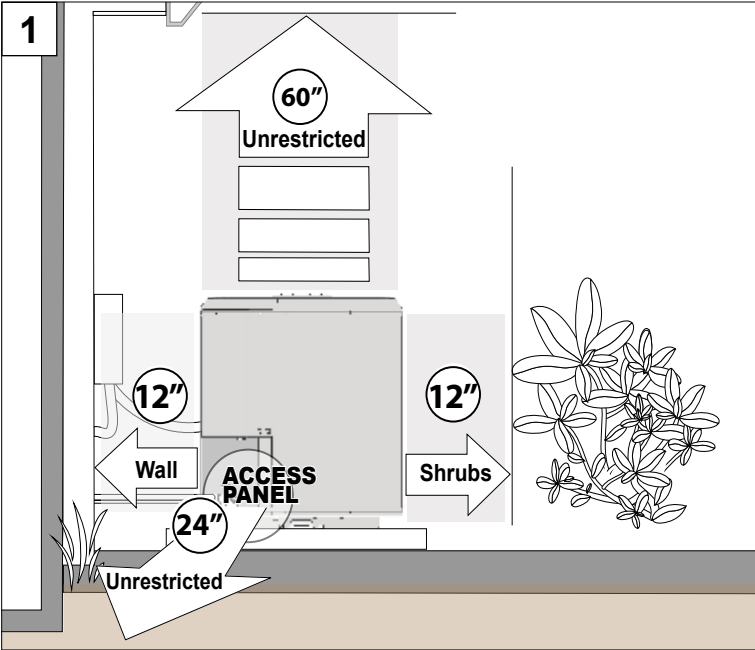
4. The unit should not be operated at outdoor temperatures below 50° F without an approved low ambient operation accessory kit installed.

## 5. LOCATION AND CLEARANCE

IOM

### 5.1 CLEARANCE

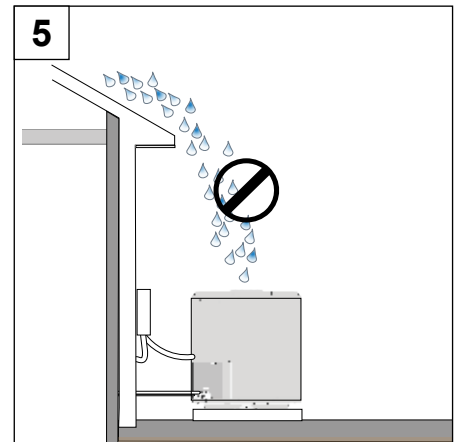
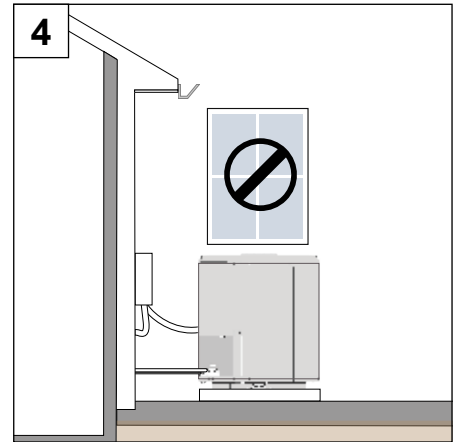
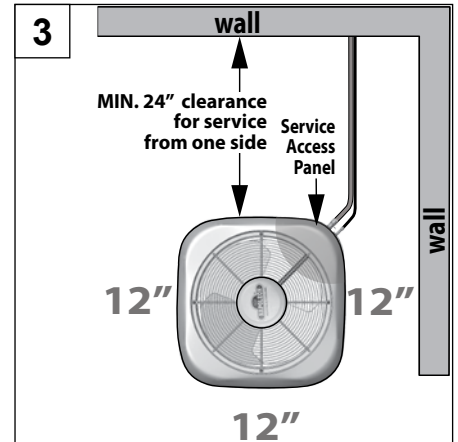
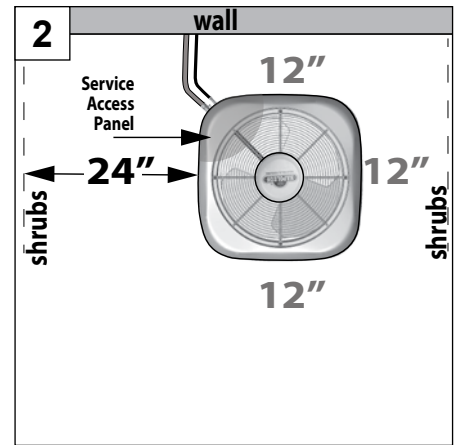
The minimum clearances required for installation and accessibility are shown below. These clearances should be followed unless otherwise approved by the manufacturer.



- Ensure the top discharge area is unrestricted for at least 60" above the unit (Figure 1.).
- Clearance must be provided in front of the access panel for servicing and adequate airflow around the cabinet as shown on Fig.1, 2 & 3.
- The distance in between two or more units will be 24" minimum.

### 5.2 LOCATION RESTRICTIONS

- Do not locate unit close to bedrooms or areas where operational sounds may be objectionable (Fig. 4).
- Outdoor unit location must be far enough away from any structure to prevent excess runoff water from pouring directly on to the unit (Fig. 5). Check with National and Local Codes.



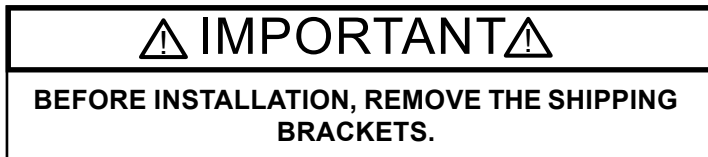
## 6. INSTALLATION

### 6.1 SUPPORT

#### Support pad:

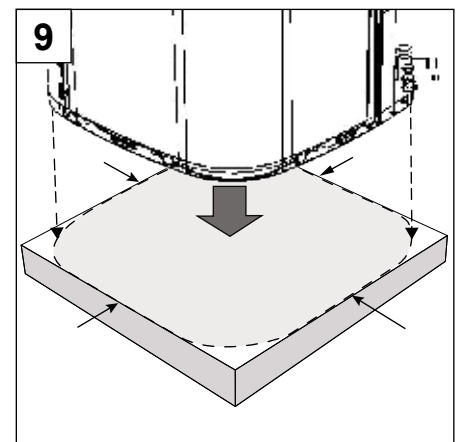
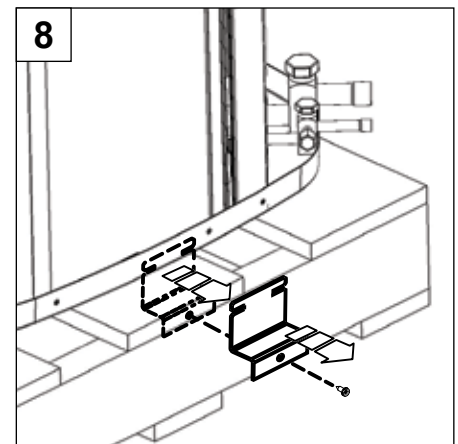
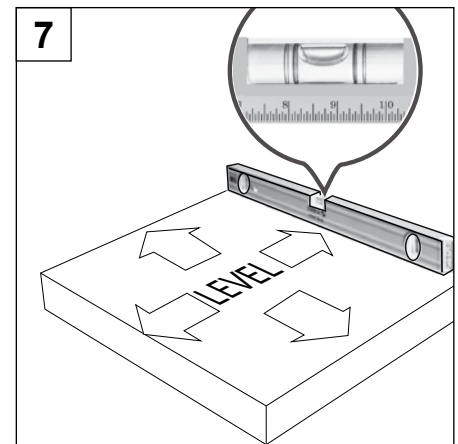
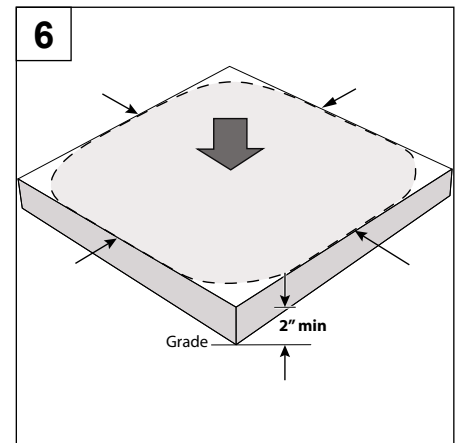
1. The pad must be:
  - a. separate from any structure.
  - b. properly sized according to the size of the cabinet. No portion of the cabinet shall overhang beyond the pad.
  
2. The pad must be level (Fig 7). The pad location must comply with National, State, and Local codes.

### 6.2 UNIT PLACEMENT



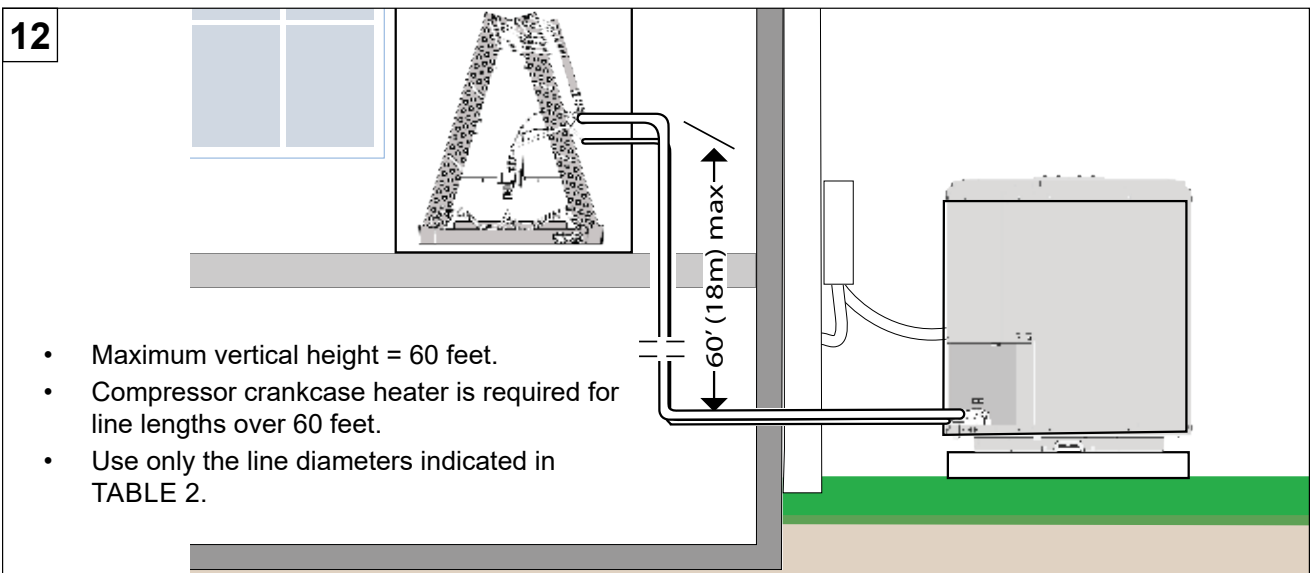
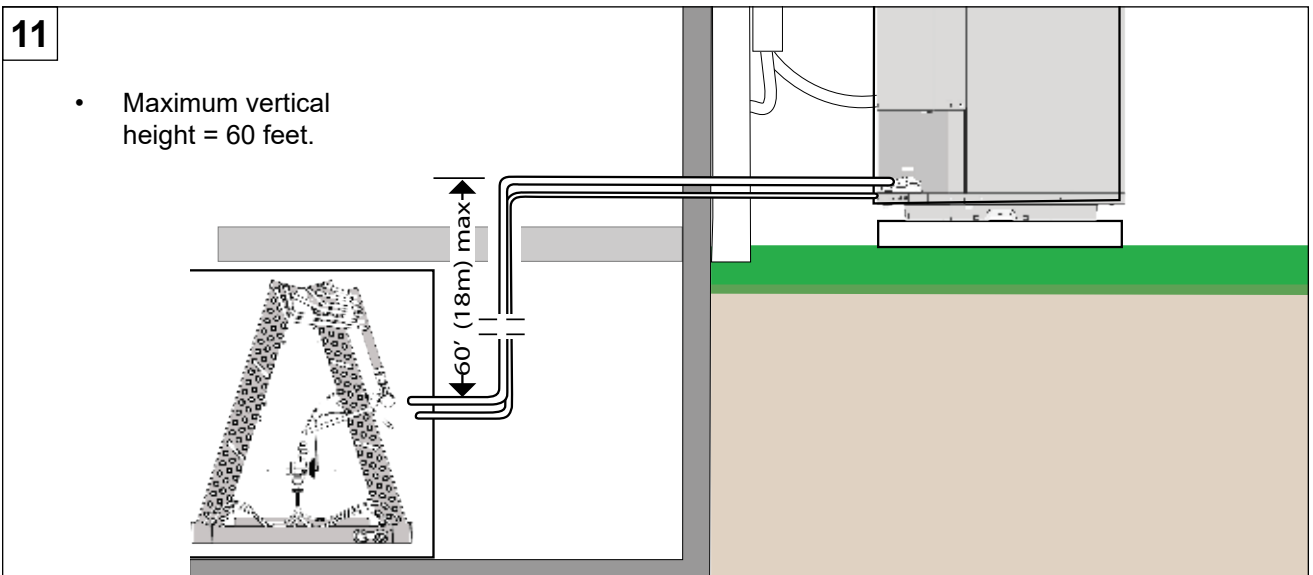
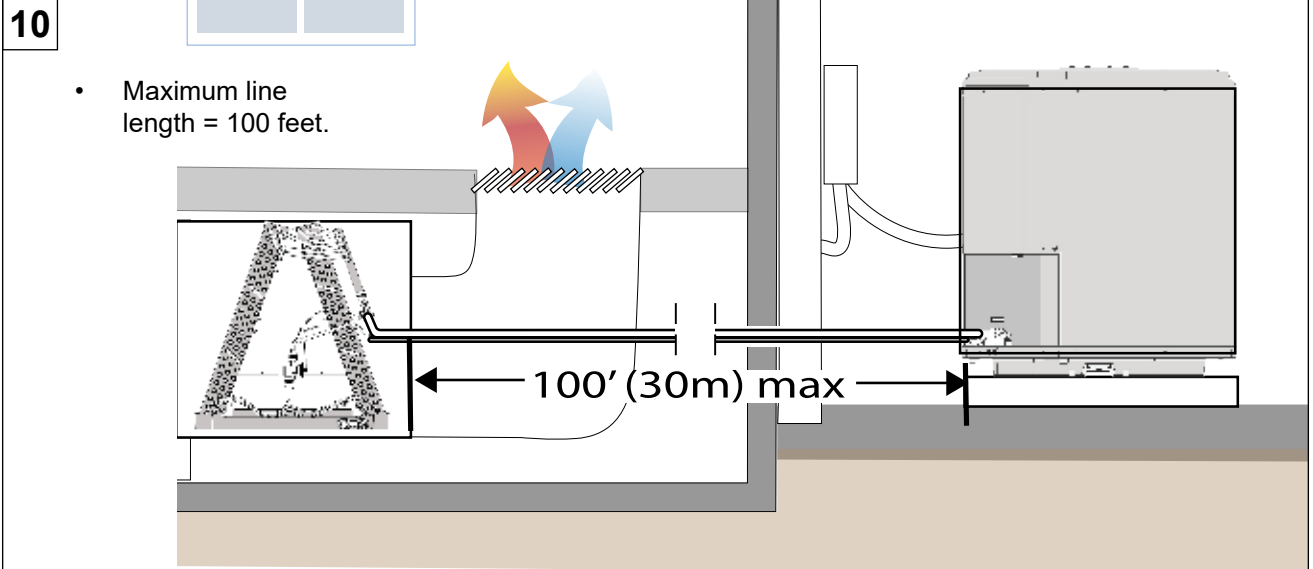
3. Remove screws holding four brackets to the pallet and lift off the clips (Fig 8).

4. Center, position and place the unit onto pad (Fig 9).



## 6.3 REFRIGERANT LINE SET INSTALLATION

### 6.3.1 Refrigerant Piping Limitations





## 6.3.2 Refrigerant Line and Service Valve Connection Sizes

### PIPING CONNECTIONS

The outdoor condensing unit must be connected to the matched indoor evaporator coil using field supplied refrigerant grade (ACR) copper tubing that is internally clean and dry. Units should be installed only with the tubing sizes for approved system combinations as specified in Table 2.

### NOTE

- USING A LARGER THAN SPECIFIED LINE SIZE COULD RESULT IN OIL RETURN PROBLEMS.
- USING TOO SMALL A LINE WILL RESULT IN LOSS OF CAPACITY AND OTHER PROBLEMS CAUSED BY INSUFFICIENT REFRIGERANT FLOW.
- SLOPE HORIZONTAL VAPOR LINES AT LEAST 1" EVERY 20 FEET TOWARD THE OUTDOOR UNIT TO FACILITATE PROPER OIL RETURN.

TABLE 2.

MODEL	Line Sizes		Service Valve Connection Sizes	
	Vapor Line	Liquid Line	Vapor Line Connection	Liquid Line Connection
1.5 Tons	3/4	3/8	3/4	3/8
2.0 Tons	3/4	3/8	3/4	3/8
2.5 Tons	3/4	3/8	3/4	3/8
3.0 Tons	3/4	3/8	3/4	3/8
3.5 Tons	7/8	3/8	7/8	3/8
4.0 Tons	7/8	3/8	7/8	3/8
5.0 Tons	7/8	3/8	7/8	3/8

### 6.3.3 Line Brazing

#### ⚠ WARNING ⚠

**REFRIGERANT LINES MUST BE BRAZED AND RATED FOR R-410A PRESSURES!**

#### ⚠ WARNING ⚠

**DO NOT REMOVE SERVICE VALVE CAPS UNTIL SECTION 7.**

#### ⚠ CAUTION ⚠

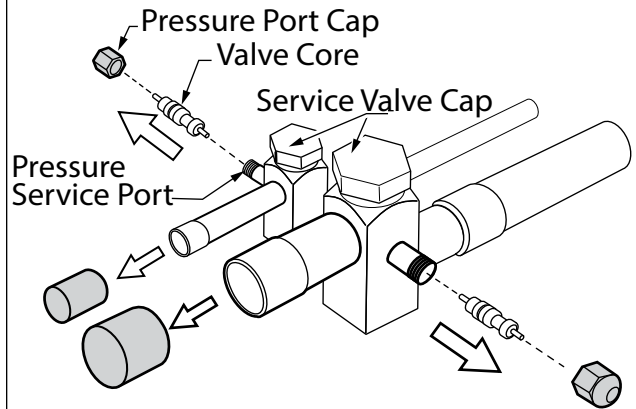
**DRY NITROGEN SHOULD ALWAYS BE SUPPLIED THROUGH THE TUBING WHILE IT IS BEING BRAZED, BECAUSE THE TEMPERATURE REQUIRED IS HIGH ENOUGH TO CAUSE OXIDATION OF THE COPPER UNLESS AN INERT ATMOSPHERE IS PROVIDED. THE FLOW OF DRY NITROGEN SHOULD CONTINUE UNTIL THE JOINT HAS COOLED. ALWAYS USE A PRESSURE REGULATOR AND SAFETY VALVE TO INSURE THAT ONLY LOW PRESSURE DRY NITROGEN IS INTRODUCED INTO THE TUBING. ONLY A SMALL FLOW IS NECESSARY TO DISPLACE AIR AND PREVENT OXIDATION.**

#### ⚠ WARNING ⚠

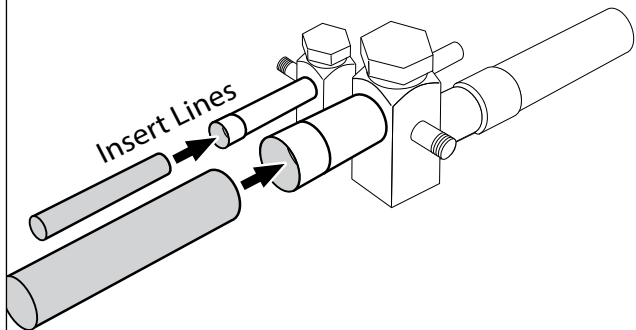
**NEVER ATTEMPT TO REPAIR ANY BRAZED CONNECTIONS WHILE THE SYSTEM IS UNDER PRESSURE. PERSONAL INJURY COULD RESULT.**

1. Remove plastic caps from the service valve connections. Remove the pressure port caps and valve cores from pressure service ports (Fig. 13).
2. Install lines into service valve connections (Fig. 14).
3. Purge the refrigerant line and indoor coil with dry nitrogen (Fig. 15). Continue to purge until whole brazing process is complete.

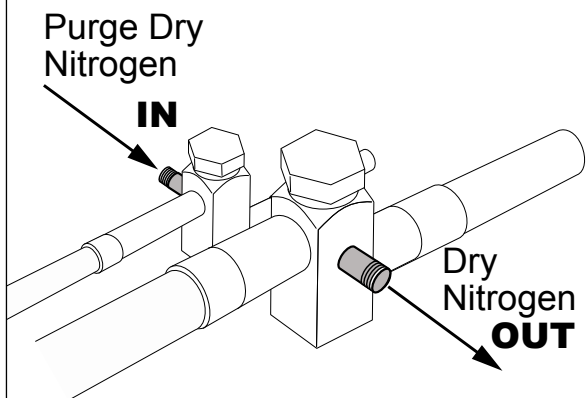
13



14



15



**4. Brazing steps:**

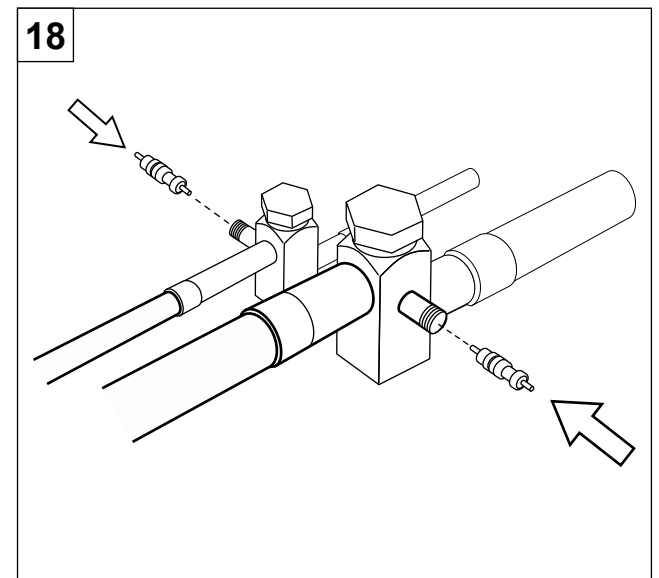
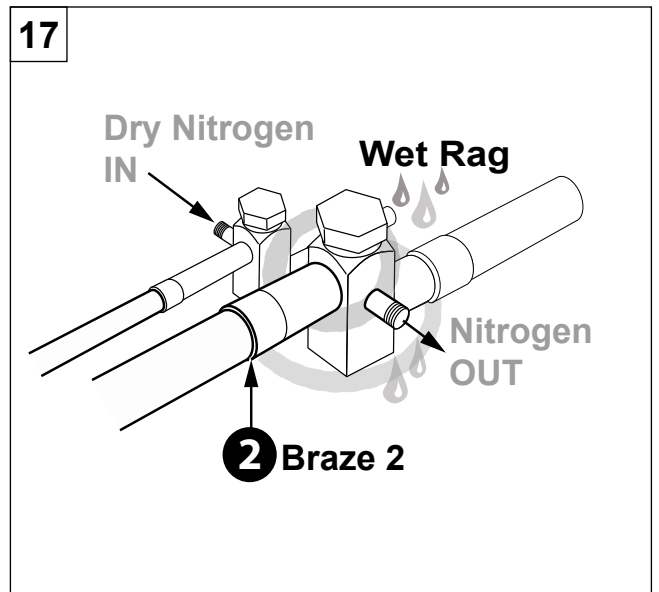
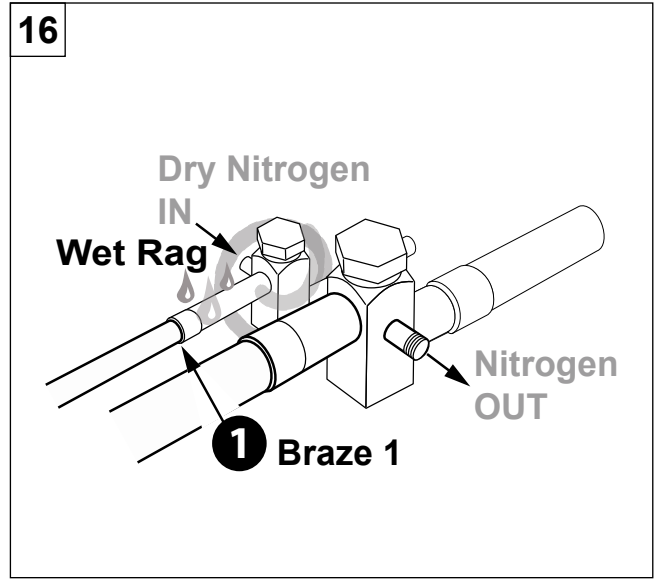
- a. Wrap a wet rag around the valve body to avoid heat damage and continue the dry nitrogen purge.
- b. Braze the refrigerant lines to the service valves (Fig. 16 and Fig. 17).

<b>⚠️ IMPORTANT ⚠️</b>
<b>WHEN BRAZING LINE SET TO SERVICE VALVES POINT FLAME AWAY FROM SERVICE VALVE.</b>
<b>⚠️ CAUTION ⚠️</b>
<p><b>AVOID BREATHING VAPORS OR FUMES FROM BRAZING OPERATIONS.</b></p> <p><b>PERFORM OPERATIONS ONLY IN WELL-VENTILATED AREAS.</b></p> <p><b>WEAR GLOVES AND PROTECTIVE GOGGLES OR FACE SHIELD TO PROTECT AGAINST BURNS.</b></p> <p><b>WASH HANDS WITH SOAP AND WATER AFTER HANDLING BRAZING ALLOYS AND FLUX.</b></p>

- 5. Continue to purge until whole brazing process is complete (Fig. 17).

<b>⚠️ IMPORTANT ⚠️</b>
<b>ONCE THE BRAZING IS COMPLETE, REMOVE THE WET RAG BEFORE STOPPING THE DRY NITROGEN PURGE.</b>

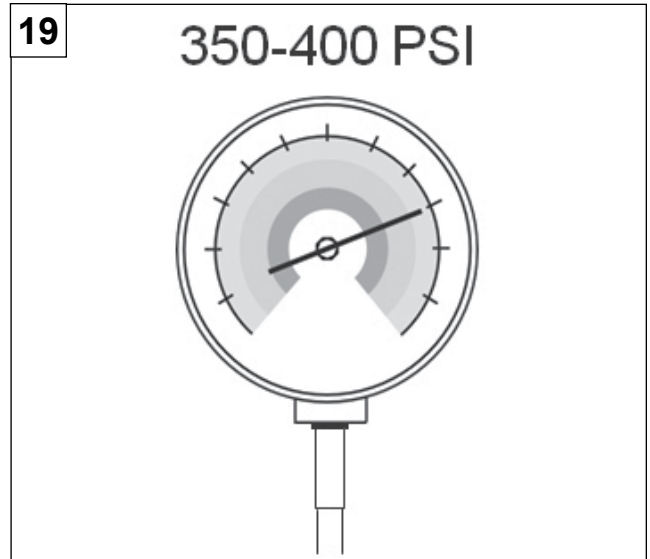
- 6. Reinstall the valve cores to service ports (Fig. 18).



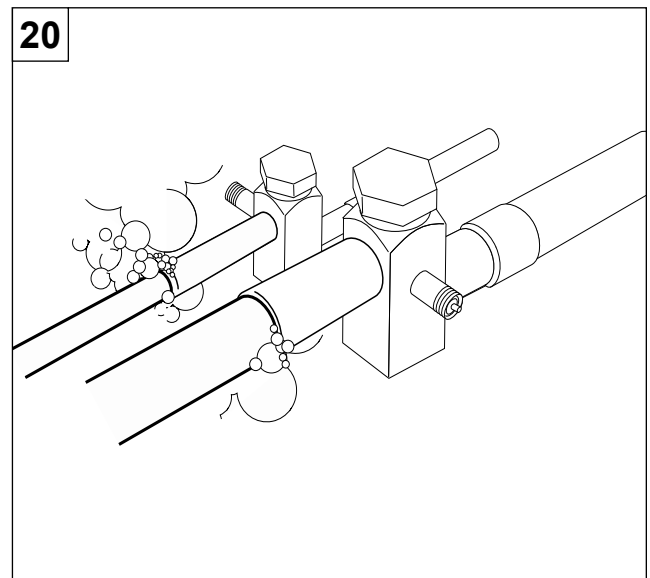
### 6.3.4 Refrigerant Line Leak Test

#### Test for leak

- Pressurize the refrigerant lines and evaporator coil to 350-400 PSIG using dry nitrogen (Fig. 19). The nitrogen pressure must be maintained for few minutes.

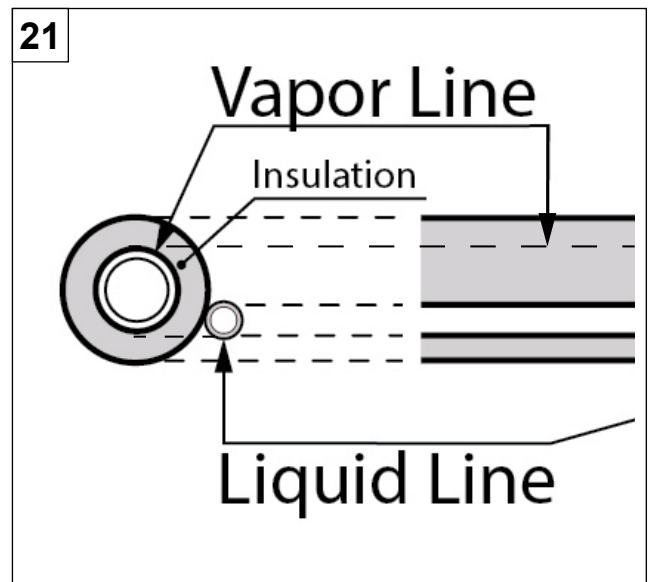


- If pressure decay is observed, it is an indication of leak(s).
- Check for leaks by using a soap solution at each brazed joint (Fig. 20).



### 6.3.5 Refrigerant Line Insulation

- The Vapor Line must always be insulated (Fig. 21).
- DO NOT allow the liquid line and vapor line to come in direct (metal to metal) contact to each other.



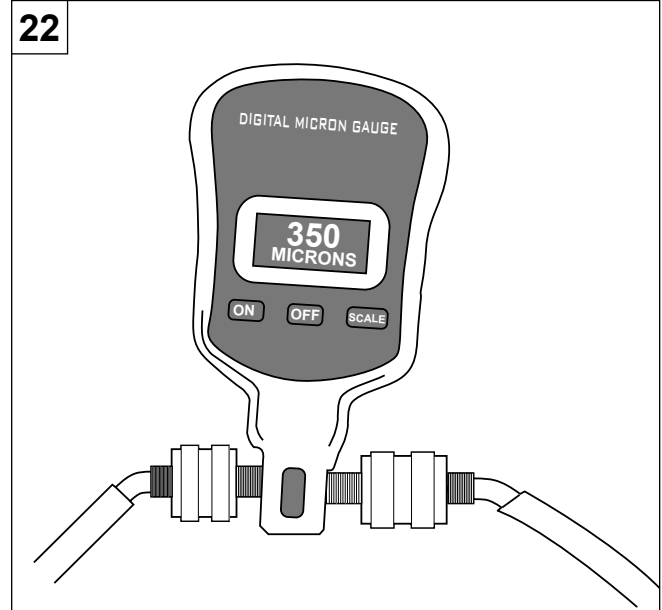
## 7. EVACUATION

### 7.1 EVACUATE THE REFRIGERANT LINES AND INDOOR COIL

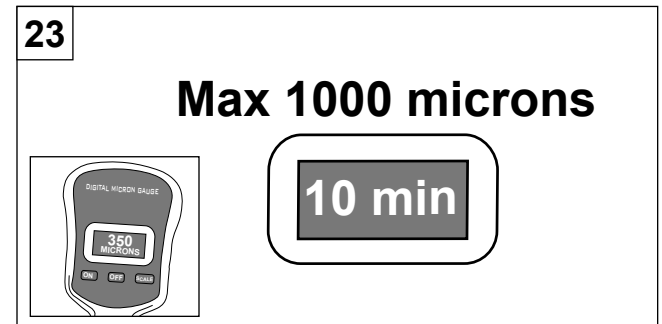
#### ⚠ WARNING ⚠

**DO NOT OPEN THE SERVICE VALVES UNTIL THE REFRIGERANT LINES AND INDOOR COIL LEAK CHECK AND EVACUATION ARE COMPLETE. REFRIGERANT CAN LEAK AND MAY CAUSING MILD TO SEVERE BURNS.**

- Connect the vacuum pump to evacuate the refrigerant line set and indoor coil.
- Evacuate until the micron gauge reads no higher than 350 microns or less (Fig. 22), then close **OFF** the valve to the vacuum pump.



- Observe the micron gauge. Evacuation is complete if the micron gauge does not rise above 500 microns in one minute and no more the 1000 microns in 10 minutes (Fig. 23).
- When vacuum pressure rises more than 1000 microns but holds steady below 2000 microns it indicates the presence of moisture and/or non-condensable or presence of small leak. If vacuum pressure stays constantly at 2000 microns or it rises, it indicates the presence of leak.
- If the leak is found, perform the necessary repair and repeat the evacuation process.
- Once evacuation is complete, close the valves on the manifold gauge set, turn off and disconnect the vacuum pump.



## 8. SERVICE VALVES

### 8.1 OPEN THE SERVICE VALVES

#### ⚠ WARNING ⚠

**EXTREME CAUTION MUST BE EXERCISED WHEN OPENING THE LIQUID LINE SERVICE VALVE. TURN COUNTERCLOCKWISE UNTIL THE VALVE STEM JUST TOUCHES THE ROLLED EDGE. NO TORQUE IS REQUIRED. FAILURE TO FOLLOW THIS WARNING WILL RESULT IN ABRUPT RELEASE OF SYSTEM CHARGE AND MAY RESULT IN PERSONAL INJURY AND/OR PROPERTY DAMAGE.**

#### ⚠ IMPORTANT ⚠

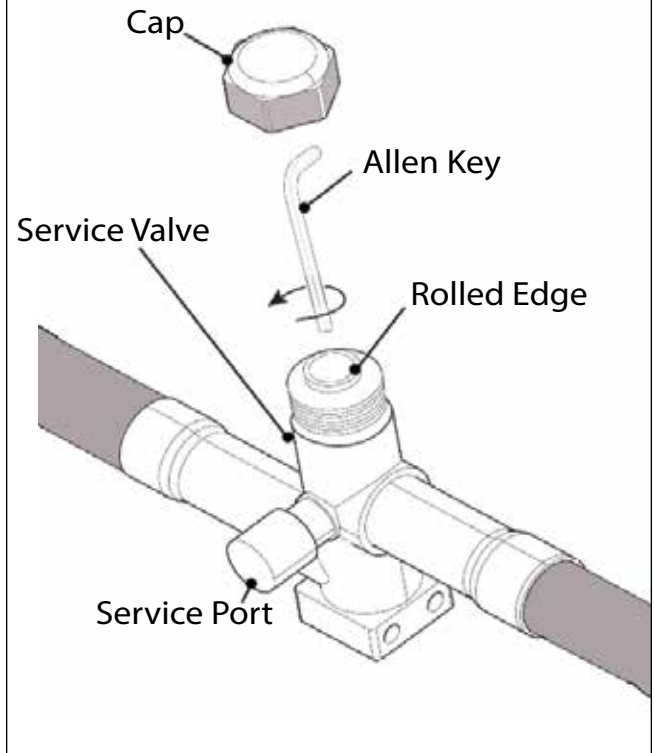
**LEAK CHECK AND EVACUATION MUST BE COMPLETED BEFORE OPENING THE SERVICE VALVES.**

#### ⚠ CAUTION ⚠

**THE VAPOR LINE SERVICE VALVE MUST BE OPENED FIRST BEFORE OPENING THE LIQUID LINE SERVICE VALVE.**

1. Remove the cap from vapor service valve (Fig. 24)
2. Fully insert Allen key into the stem and rotate counterclockwise until valve stem just touches the rolled edge.
3. Replace the valve stem cap. Tighten the cap finger tight with an additional 1/6 turn.
4. Repeat STEPS 1 - 3 for Liquid Service Valve.

24



## 9. ELECTRICAL

### ⚠ WARNING ⚠

**ONLY COPPER CONDUCTORS MUST BE USED FOR ALL FIELD WIRING AND BE IN ACCORDANCE WITH LOCAL, NATIONAL, FIRE, SAFETY AND ELECTRICAL CODES. THIS UNIT MUST BE GROUNDED WITH A SEPARATE GROUND WIRE IN ACCORDANCE WITH THE CODES MENTIONED ABOVE.**

Make sure that electrical supply meets the values specified on the unit nameplate and wiring label. Power wiring, disconnect switches, control (low voltage) wiring and over current protection must be supplied by the installer. Wire size must be sized per National and Local Electrical codes requirements.

### 9.1 HIGH VOLTAGE

### ⚠ WARNING ⚠

**DURING INSTALLATION, TESTING, SERVICING, AND TROUBLESHOOTING OF THIS PRODUCT, IT MAY BE NECESSARY TO WORK WITH ELECTRICAL COMPONENTS. THERE IS A RISK OF ELECTRIC SHOCK THAT CAN CAUSE INJURY OR DEATH: DISCONNECT ALL REMOTE ELECTRIC POWER SUPPLIES BEFORE SERVICING.**

### ⚠ WARNING ⚠

**SHUT OFF ELECTRICAL POWER AT THE FUSE BOX OR SERVICE PANEL BEFORE MAKING ANY ELECTRICAL CONNECTIONS. FAILURE TO DO SO CAN CAUSE ELECTRICAL SHOCK RESULTING IN PERSONAL INJURY OR DEATH.**

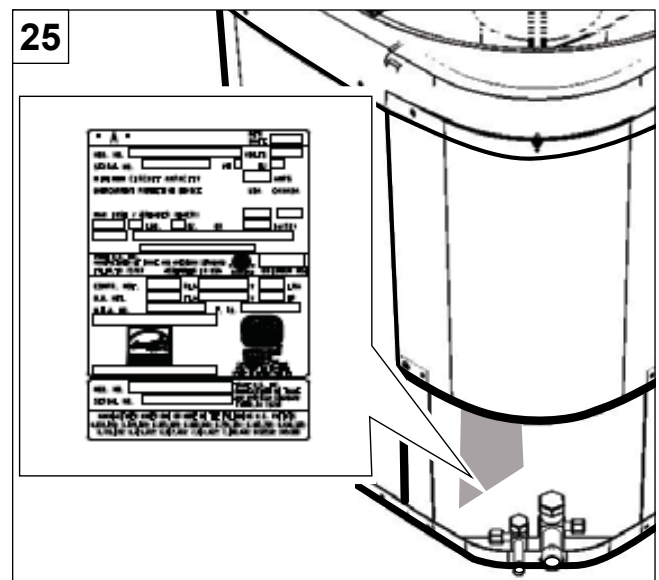
- THE AIR CONDITIONER CABINET MUST HAVE AN UNINTERRUPTED GROUND.
- A GROUND LUG IS PROVIDED IN THE ELECTRICAL JUNCTION BOX.
- DO NOT USE REFRIGERANT PIPING AS A GROUND.

**FAILING TO GROUND THE AIR CONDITIONER PROPERLY CAN RESULT IN ELECTRIC SHOCK RESULTING IN PERSONAL INJURY OR DEATH.**

H3.80

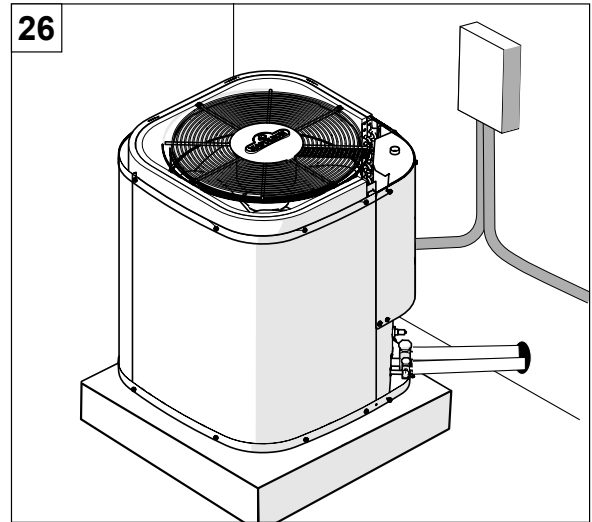
#### 9.1.1 High Voltage Power Supply

- The high voltage power supply must agree with the equipment nameplate located on the service panel cover (Fig. 25).
- Power wiring must comply with national, state, and local codes. The wiring diagram is located on the back side of the electrical cover.



### 9.1.2 High Voltage Disconnect Switch

- Install a separate disconnect switch at the outdoor unit (Fig. 26).

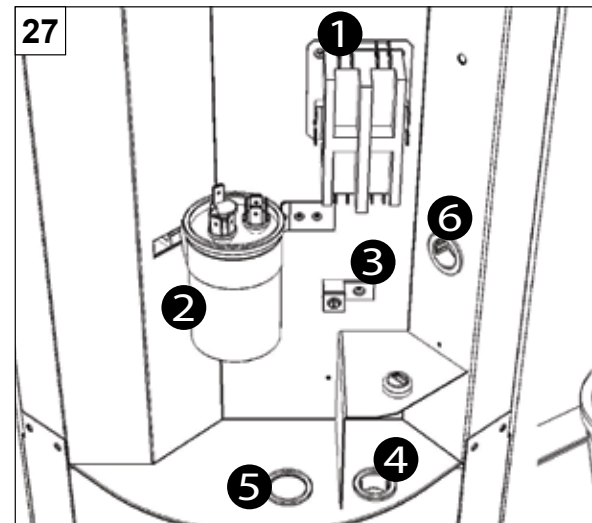


### 9.1.3 High Voltage Ground

Ground the outdoor unit per national, state, provincial and local code requirements (Fig. 27).

#### Components:

1. Contactor
2. Dual Run Capacitor
3. Ground Lug
4. Thermostat Control Wire Feed
5. High Voltage Power Cable Feed
6. Compressor and High Pressure Switch Wire Feed



### 9.1.4 Thermostat

- Room thermostat (purchased separately) should be installed approximately in the center of the conditioned area on an INSIDE wall and 5 feet (1.5m) above the floor.
- Do NOT install thermostat on an outside wall or where it can be exposed to sunlight or drafts.

#### Good thermostat locations are:

- in a living room or dining room,
- in a position where the thermostat will be in natural air circulation (not dead air space) but where the thermostat will not be exposed to strong drafts from windows, doorways, or from a heating or cooling air

#### Bad Room Thermostat Locations:

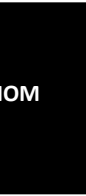
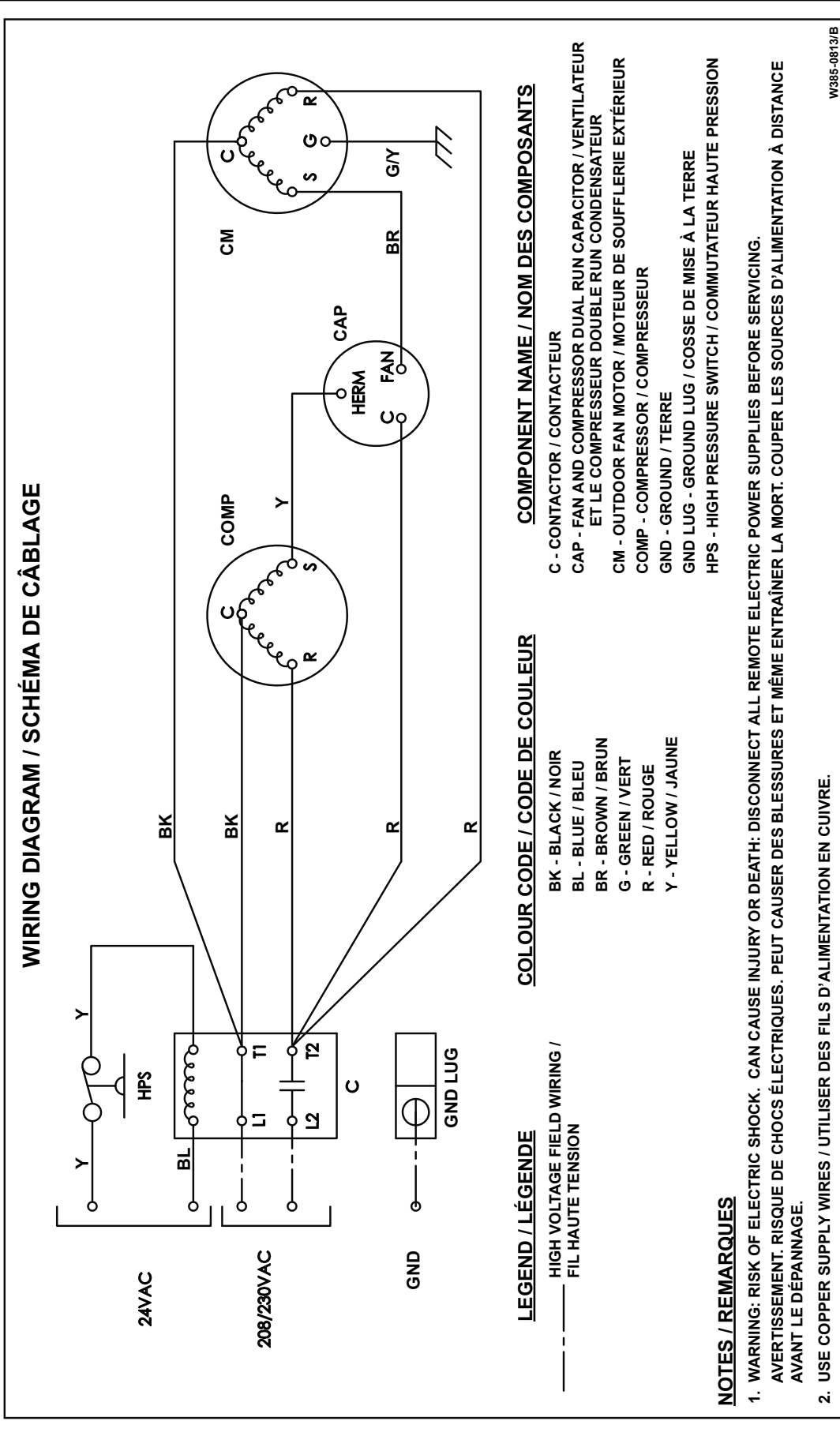
- on an exterior building wall (exposed to outdoor temperature effects) where drafts from an exterior door will affect its reading
- above or in the line of airflow from a heating or cooling air supply register
- in direct sunlight
- in a kitchen, bath, or entry hallway or on a wall shared with a hot space such as a kitchen or boiler room
- in an alcove, behind an open door, behind furniture or next to concealed pipes or air ducts
- Do not place heat-emitting devices such as lamps or small appliances close to the thermostat. Their heat may affect its operation.

## ⚠ CAUTION ⚠

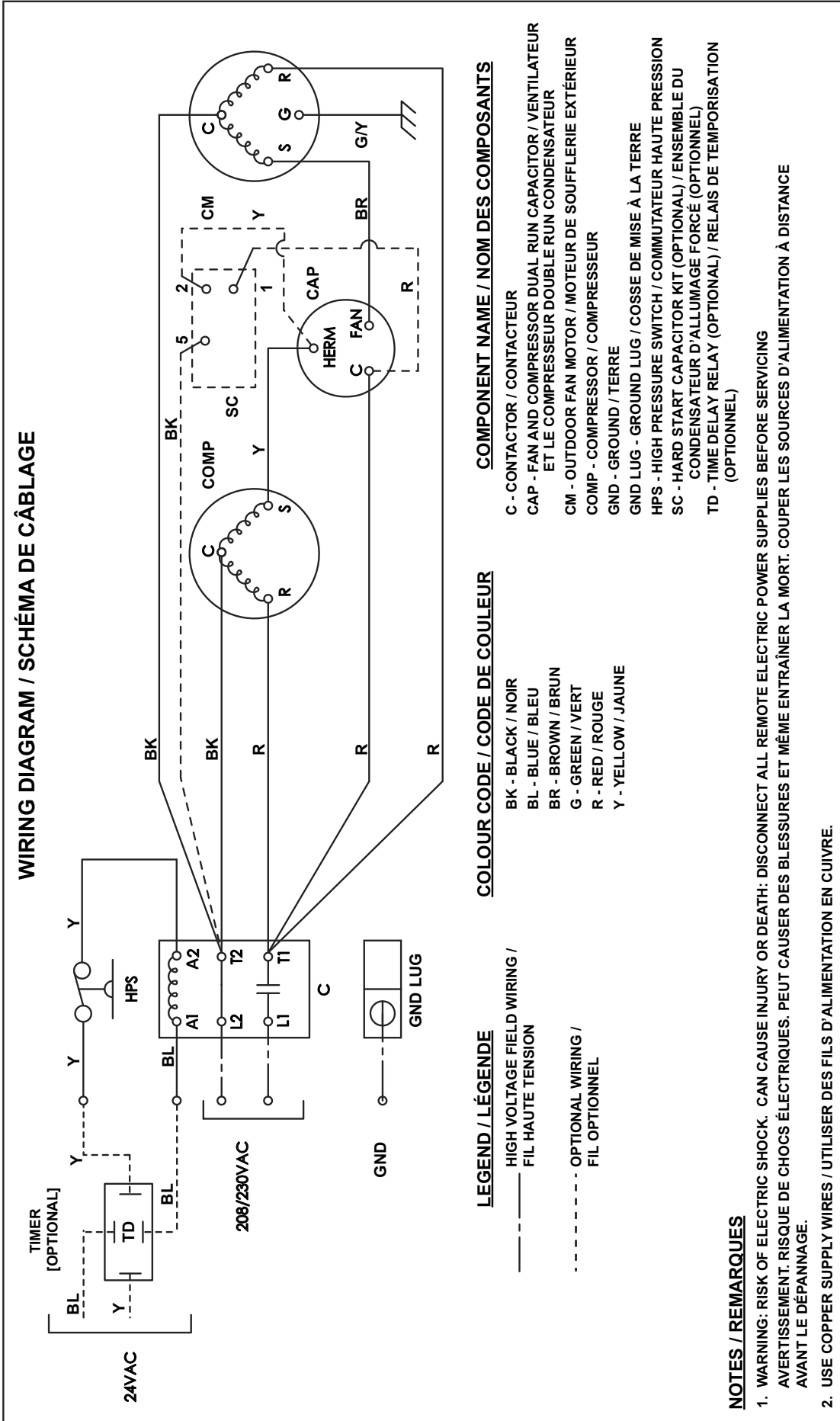
ENSURE THE SYSTEM HAS A MINIMUM OF 5 MINUTES OFF TIME BETWEEN STARTS. SYSTEM SHORT CYCLING MIGHT LEAD TO SYSTEM FAILURE. REFER TO YOUR THERMOSTAT MANUAL TO SET UP THE START-UP TIME DELAY. IF UNAVAILABLE, AN ANTI-SHORT CYCLE KIT (W370-0249) IS AVAILABLE (PURCHASED SEPARATELY).



9.1.5 Wiring Diagram



9.1.6 Hard Start Capacitor Wiring Diagram



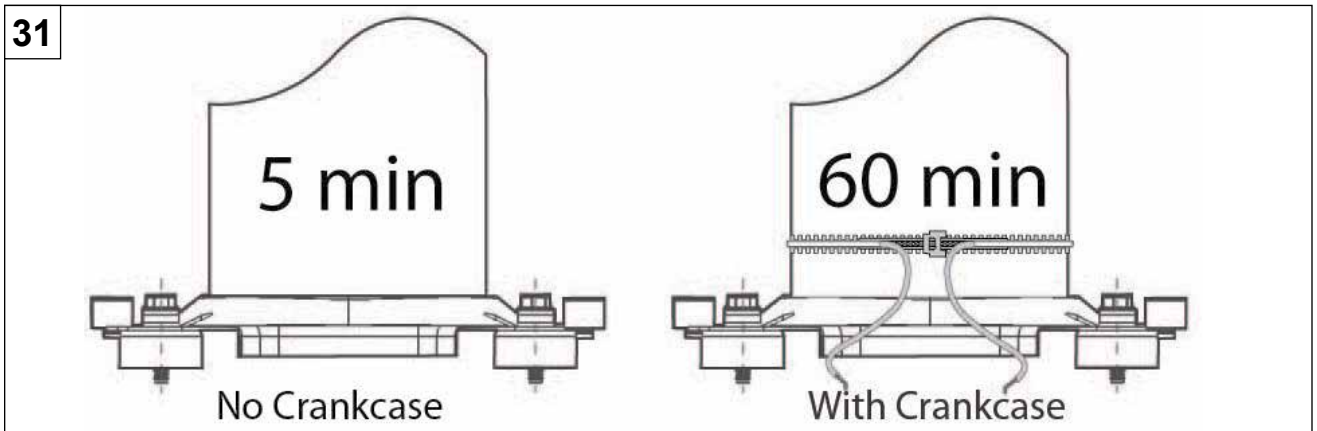
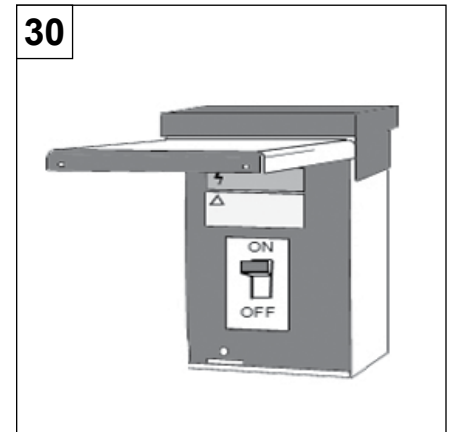
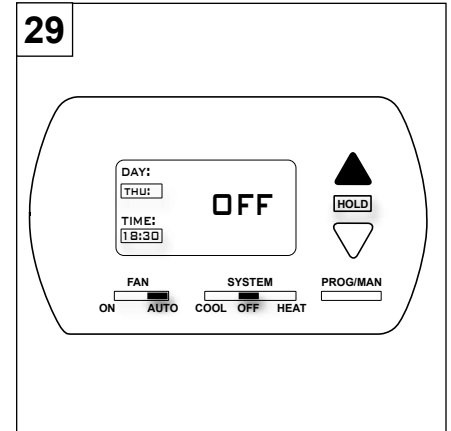
## 10. START UP

### **Perform the following steps:**

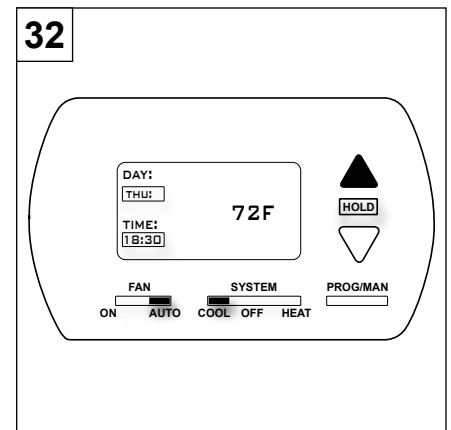
1. Set System Thermostat to OFF (Fig. 29).
2. Turn disconnect switch ON (Fig. 30) to apply power to the indoor and outdoor units.

### **Wait:**

3. If no crankcase heater accessory is used, wait five (5) minutes and go to Step 5.
4. Wait one (1) hour before starting the unit, if compressor crankcase heater accessory is used and the Outdoor Ambient is below 70°F. Refer to (Fig. 31).



5. Set system thermostat to ON (Fig. 32).



## 11. SYSTEM CHARGE ADJUSTMENT

### ⚠ WARNING ⚠

REFRIGERANT CHARGING MUST ONLY BE ATTEMPTED BY QUALIFIED CONTRACTORS. IMPROPER SYSTEM CHARGE CAN REDUCE SYSTEM CAPACITY AND MAY CAUSE EQUIPMENT DAMAGE.

### 11.1 SYSTEM TOTAL CHARGE

### ⚠ WARNING ⚠

DO NOT LEAVE THE SYSTEM OPEN TO THE ATMOSPHERE. DO NOT ATTEMPT TO PUMP "TOTAL SYSTEM CHARGE" INTO OUTDOOR UNIT FOR MAINTENANCE, SERVICE, ETC. THIS MAY CAUSE DAMAGE TO THE COMPRESSOR AND/OR OTHER COMPONENTS. THE OUTDOOR UNIT ONLY HAS ENOUGH VOLUME FOR THE "FACTORY CHARGE", NOT FOR THE "TOTAL SYSTEM CHARGE". IT IS UNLAWFUL TO KNOWINGLY VENT, RELEASE OR DISCHARGE REFRIGERANT INTO THE OPEN AIR DURING REPAIR, SERVICE, MAINTENANCE, OR THE FINAL DISPOSAL OF THIS UNIT.

All air conditioning units come pre-charged with enough refrigerant (R-410A) for an appropriately matched indoor evaporator coil. For field installed line set, a correction of 0.6 Oz of R-410A per foot of line set is required for 3/4" suction line diameter and 0.7 Oz of R-410A per foot of line set is required for 7/8" suction line diameter. Liquid line shall be 3/8" diameter. Using evaporator coils that have not been approved as a match by the manufacturer is not recommended. Refer to AHRI directory for matched evaporator coil for your system. The system charge shall be adjusted according to section 11.2 or 11.3 depending on the application.

### NOTE

To obtain an efficient system matching AHRI performance, units with either thermostatic expansion valves or piston flow raters must be installed in the vertical direction with the liquid refrigerant flowing downwards or upwards, feeding the indoor evaporator coil. The capillary tubes and expansion valve location can be adjusted to ensure that the flow through both of the slabs of the A-Coil have equal flow of refrigerant. If the temperature difference does not vary more than 10°F between the two slabs of A-coil, it indicates the equal flow of refrigerant through the each of the slabs.

### 11.2 ADJUSTING SYSTEM CHARGE FOR SYSTEMS USING THERMOSTATIC EXPANSION VALVES

#### Procedure:

1. Connect charging hose from liquid port on the refrigerant bottle to charging service port on manifold gauge.
2. Open refrigerant bottle and purge hose.
3. Connect low side of manifold gauge set to the pressure port on vapor line service valve.
4. Connect the high side of the manifold gauge set to pressure port on liquid line service valve.
5. Temporarily install a temperature measuring device on the liquid line near the liquid service valve and one at the vapor line near the vapor service valve. Ensure that the temperature measuring device makes adequate contact and insulated for accurate readings.
6. Operate the system for at least 10 minutes.
7. Check subcooling and superheat. Systems using thermostatic expansion valves should have a subcooling of 7°F to 9°F and superheat of 7°F to 9°F.
8. Record Total Charge on the nameplate and manual.

### ⚠ CAUTION ⚠

TO PREVENT PERSONAL INJURY, CAREFULLY CONNECT AND DISCONNECT MANIFOLD GAUGE HOSES. ESCAPING LIQUID REFRIGERANT CAN CAUSE BURNS. DO NOT VENT REFRIGERANT INTO THE ATMOSPHERE. RECOVER ALL REFRIGERANT DURING SYSTEM REPAIR AND BEFORE FINAL UNIT DISPOSAL.

H3.96

**Check the nameplate for unit specific designed subcooling:**

- i. If subcooling is low and superheat is normal, add charge to raise the subcooling to 7°F to 9°F.
- ii. If subcooling is low and superheat is high, add charge to raise the subcooling to 7°F to 9°F, and adjust TXV if required.
- iii. If subcooling and superheat is low, adjust the TXV to 7°F to 9°F superheat and add or remove charge if required.
- iv. If subcooling is normal and superheat is low, adjust the TXV to raise the superheat to 7°F to 9°F and remove charge if required.
- v. If subcooling is normal and superheat is high, adjust the TXV to lower the superheat to 7°F to 9°F and add charge if required.
- vi. If subcooling is high and superheat is normal, remove charge to lower the subcooling to 7°F to 9°F.
- vii. If subcooling is high and superheat is low, remove charge to lower the subcooling to 7°F to 9°F and adjust TXV.
- viii. If subcooling and superheat is high, adjust the TXV to lower the superheat to 7°F to 9°F and remove or add charge if required.

**11.3 ADJUSTING SYSTEM CHARGE FOR SYSTEMS USING FIXED ORIFICE**

**Procedure:**

- 1. Follow the steps 1-4 from paragraph 10.2.
- 2. Check superheat. The system superheat should be adjusted according to TABLE 3. A dash indicates that charging at this condition should not be attempted. Slugging may occur, leading to compressor damage.

Outdoor Ambient DB (°F)	R-410A															
	Charging Chart															
	Evaporator Suction Pressure - PSIG															
	117	120	123	126	129	132	135	138	141	144	147	150	153	156	159	162
	Evaporator Suction Temperature – Fahrenheit (°F)															
65	65	70	-	-	-	-	-	-	-	-	-	-	-	-	-	-
70	58	63	68	-	-	-	-	-	-	-	-	-	-	-	-	-
75	51	56	61	66	70	-	-	-	-	-	-	-	-	-	-	-
80	-	50	54	59	63	68	72	-	-	-	-	-	-	-	-	-
85	-	-	-	53	58	62	66	71	-	-	-	-	-	-	-	-
90	-	-	-	-	51	56	60	64	68	72	-	-	-	-	-	-
95	-	-	-	-	-	51	55	59	62	66	70	-	-	-	-	-
100	-	-	-	-	-	-	51	55	58	62	65	69	-	-	-	-
105	-	-	-	-	-	-	-	-	56	59	62	65	68	-	-	-
110	-	-	-	-	-	-	-	-	-	56	59	62	65	67	-	-
115	-	-	-	-	-	-	-	-	-	-	58	60	62	64	66	68
120	-	-	-	-	-	-	-	-	-	-	-	-	61	63	64	66
125	-	-	-	-	-	-	-	-	-	-	-	-	-	62	63	64

TABLE 3.

**11.4 RECORD SYSTEM INFORMATION**

Record system pressures and temperatures after charging is complete. The total system charge shall be marked on the condensing unit nameplate.

Model Number =	_____
Serial Number =	_____
Measured Outdoor Ambient =	_____ °F
Outdoor Leaving Air Temperature =	_____ °F
Indoor Air CFM =	_____
Indoor Ambient =	_____ °F DB _____ °F WB
Indoor Leaving Air Temperature =	_____ °F DB _____ °F WB
Measured Liquid Line Temp =	_____ °F
Measured Suction Line Temp =	_____ °F
Liquid Gage Pressure =	_____ PSIG
Suction Gage Pressure =	_____ PSIG
Total System Charge =	_____ OZ

## 12. CHECKOUT PROCEDURES

Final phases of this installation are the unit Operational and Checkout Procedures. To obtain proper performance, all units must be operated and charge adjustments made.

### 12.1 INSTRUCTING THE OWNER

- Assist owner with processing warranty cards and/or online registration.
- Review Owners Guide and provide a copy to the owner and guidance on proper operation and maintenance. Instruct the owner or the operator how to start, stop and adjust temperature setting.
- Instruct the owner on proper operation and maintenance of all other system components.

**⚠️ IMPORTANT ⚠️**

**PERFORM A FINAL UNIT INSPECTION TO BE SURE THAT FACTORY TUBING HAS NOT SHIFTED DURING SHIPMENT. ADJUST TUBING IF NECESSARY SO TUBES DO NOT RUB AGAINST EACH OTHER WHEN THE UNIT RUNS. ALSO BE SURE WIRING CONNECTIONS ARE TIGHT AND WIRE ROUTING IS SECURE.**

### 12.2 CHECKOUT PROCEDURE

**Procedure**

1. Check that unit is not damaged..... [ ]
2. Leak check refrigerant lines..... [ ]
3. Properly insulate suction line ..... [ ]
4. Ensure that lines are rated for R-410A ..... [ ]
5. Properly secure and isolate all refrigerant lines..... [ ]
6. Seal passages through masonry..... [ ]
7. Verify that all electrical connections are tight. .... [ ]
8. Verify condensing unit is not blocked by foreign objects ..... [ ]
9. Observe outdoor fan during on cycle for clearance and smooth operation..... [ ]
10. Indoor coil drain line drains freely..... [ ]
11. Supply registers and return grilles are open and unobstructed..... [ ]
12. Return air filter is installed. .... [ ]
13. Correct airflow setting is used on Indoor blower motor ..... [ ]
14. Operate complete system in each mode to ensure safe operation. .... [ ]
15. System information recorded..... [ ]
16. Instruct the owner on proper operation and fill out Warranty documentation ..... [ ]

**NOTE**

**INSTALLER SHOULD PLACE UNIT DATA SHEET AND INSTALLATION INSTRUCTION IN CUSTOMER PACKET AND GIVE TO HOME OWNER AFTER INSTALLATION IS COMPLETE.**

### 12.3 SYSTEM OPERATION CHECKOUT PROCEDURE

**Procedure**

1. With thermostat set to the OFF position, close disconnect switch or switches to complete circuits to condensing unit and furnace. Set thermostat to call for cooling.
2. After the system starts, check the voltage and amperage at the condensing unit contactor.
3. If voltage is not within 10% of rated voltage, contact the local power company for corrections - unsatisfactory performance may result.
4. If amperage greatly exceeds nameplate amperage, shut down the system and contact dealer.
5. With the system in operation, check the condensing unit for unusual noise and vibration.
6. Allow the system to operate until it is balanced or stabilized (approximately 20 minutes), before making further checks.
7. Ensure that all refrigerant in the hoses is returned to the system before removing manifold gage hoses.
8. Remove manifold gage hoses, and install caps on service valves.

## 13. AIR CONDITIONING TROUBLESHOOTING

TABLE 4.

AIR CONDITIONER TROUBLESHOOTING GUIDE		
WARNING!	THIS TROUBLESHOOTING GUIDE IS INTENDED FOR USE BY QUALIFIED SERVICE PERSONNEL ONLY!	
SYMPTOM	POSSIBLE CAUSE	CORRECTION
<b>Unit will not operate</b>	Power disconnected or loose connection.	Check power supply to unit. Check voltage at contactor.
	Blown fuse / breaker tripped.	Replace fuses/reset breaker.
	Thermostat out of calibration is set too high.	Reset.
	Contactor defective.	Check for 24VAC at contactor coil - replace if open.
	Transformer defective	Check wiring – replace transformer.
	High pressure control open (if provided).	Reset – see high pressure connection.
<b>Outdoor fan on; Compressor off</b>	Run or start capacitor defective.	Replace.
	Start relay defective.	Replace.
	Loose wire.	Check for correct voltage at compressor – check and tighten all connections.
	Compressor stuck, grounded or open motor winding, open internal overload.	Wait at least 2 hours for overload to reset; if still open, replace the compressor.
<b>Too little cooling</b>	Low voltage condition.	Add start kit components.
	Improperly sized unit.	Recalculate load.
	Improper indoor airflow.	Check-should be approximately 400 CFM per ton.
	Incorrect refrigerant charge.	Charge per procedure in installation manual.
	Air, non-condensables or moisture in system.	Recover refrigerant.
<b>Compressor operates in short cycles</b>	Incorrect voltage.	At compressor terminals, voltage must be +/10% of nameplate marking when unit is operating.
	Defective overload protector.	Replace – check for correct voltage.
	Refrigerant undercharge.	Add refrigerant.
<b>High head pressure; Low suction pressure</b>	Restriction in liquid line, expansion device or filter drier.	Remove or replace defective component.
	Lack of sufficient indoor airflow.	Clean/check filters, registers, or evaporator coil that may cause a restriction.
<b>High head pressure; Normal suction pressure</b>	Dirty outdoor coil.	Clean coil.
	Refrigerant overcharge.	Correct system charge.
	Outdoor fan not running.	Repair or replace.
	Air or non-condensables in system.	Recover refrigerant, evacuate and recharge.

TABLE 4. CONT.

WARNING!	THIS TROUBLESHOOTING GUIDE IS INTENDED FOR USE BY QUALIFIED SERVICE PERSONNEL ONLY!	
SYMPTOM	POSSIBLE CAUSE	CORRECTION
<b>Low head pressure; High suction pressure</b>	Expansion device stuck in open position.	Replace expansion device.
	Defective compressor valves.	Replace compressor.
<b>Low suction pressure; Compressor cool; Ice on indoor coil</b>	Low indoor airflow.	Increase speed of blower or reduce restriction – replace air filter.
	Operating below 65 °F (18 °C) outdoors.	Add low ambient kit.
	Moisture in system.	Recover refrigerant – evacuate and recharge – replace filter drier.
<b>High suction pressure; or fluctuating head and suction pressures</b>	Excessive load.	Recheck load calculation.
	Defective compressor.	Replace.
	TXV hunting.	Check TXV bulb clamp – check air distribution on coil – replace TXV.
	Air or non-condensables in system.	Recover refrigerant, evacuate and recharge.
<b>Pulsing noise at expansion device or liquid line</b>	Air or non-condensables in system.	Recover refrigerant, evacuate and recharge.
<b>Registers sweat</b>	Low indoor airflow.	Increase speed of blower or reduce restriction – replace air filter.



## 14. MAINTENANCE

### 14.1 INDOOR

1. Check air filters and replace if necessary.
2. The evaporator coil should be inspected annually for blockages.
3. Vacuum or spray the coil fins with clean water to remove dust and dirt.
4. Refer to the furnace or air handler instructions for filter and blower motor maintenance
5. The indoor coil and drain pan should be inspected and cleaned regularly to prevent odors and bacterial growth and to assure proper drainage.

### 14.2 OUTDOOR

- Check the condenser annually for blockages and remove foreign objects blocking the condenser.

#### ⚠ CAUTION ⚠

**DO NOT USE COIL CLEANERS TO CLEAN OUTDOOR CONDENSING COIL. CLEANERS CONTAINING HYDROGEN FLUORIDE, HYDROXIDES, CHLORIDES, AND SULFATES CAN GREATLY REDUCE THE LIFETIME OF THE ALUMINUM CONDENSING COIL.**

- Clean the condenser coil by spraying it with clean water from a garden hose.
- Avoid wetting any electrical controls.
- The outdoor fan motor is permanently lubricated and does not require periodic oiling.

#### ⚠ CAUTION ⚠

**BE SURE THE UNIT DISCONNECT IS IN THE OFF POSITION AND THAT ALL ELECTRICAL POWER TO THE UNIT IS TURNED OFF BEFORE CLEANING THE SYSTEM.**

**If unit is not operating properly, check the following items:**

- The indoor section for dirty filter and outdoor section for blockage.
- If the compressor has shutdown on thermal-overload, it may be necessary to wait for the compressor to cool down before the unit will restart.
- If the temperature setting on the thermostat is low enough to bring the air conditioner ON and system still does not start, call a service technician.

#### ⚠ CAUTION ⚠

**IT IS UNLAWFUL TO KNOWINGLY VENT, RELEASE OR DISCHARGE REFRIGERANT INTO THE OPEN AIR DURING REPAIR, SERVICE, MAINTENANCE, OR THE FINAL DISPOSAL OF THIS UNIT.**

# 15. REPLACEMENT PARTS

Contact your dealer or the factory for questions concerning prices and policies on replacement parts. Normally all parts can be ordered through your Authorized dealer / distributor.

**FOR WARRANTY REPLACEMENT PARTS, A PHOTOCOPY OF THE ORIGINAL INVOICE WILL BE REQUIRED TO HONOUR THE CLAIM.**

When ordering replacement parts always give the following information:

- Model & Serial Number of appliance
- Installation date of appliance
- Part number
- Description of part
- Finish

**⚠ WARNING**

**FAILURE TO POSITION THE PARTS IN ACCORDANCE WITH THIS MANUAL OR FAILURE TO USE ONLY PARTS SPECIFICALLY APPROVED WITH THIS APPLIANCE MAY RESULT IN PROPERTY DAMAGE OR PERSONAL INJURY.**

**FOR FURTHER INFORMATION, CONTACT YOUR AUTHORIZED DEALER.**

## 15.1 PARTS LIST

H41.1

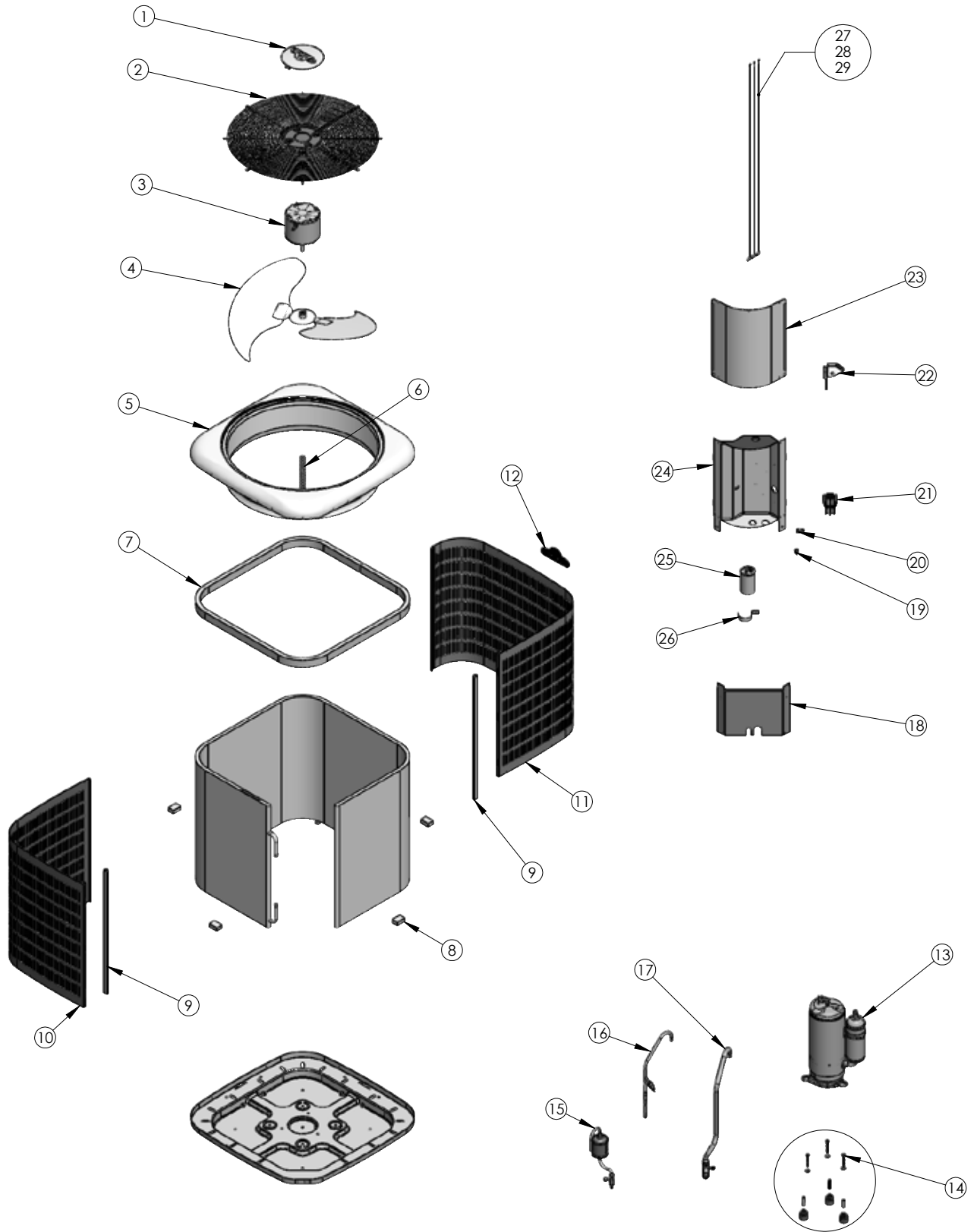
Items	Part Description	Part ID	Stocked																	
				WTACR0018RA1	WTACR0024RA1	WTACR0030RA1	WTACR0036RA1	WTACS0018RA1	WTACS0024RA1	WTACS0030RA1	WTACS0036RA1	WTACS0042RA1	WTACS0048RA1	WTACS0060RA1	WTBCS0018RA1	WTBCS0024RA1	WTBCS0030RA1	WTBCS0036RA1	WTBCS0042RA1	WTBCS0048RA1
1	LABEL, AC CENTRAL	W385-1110	C	1	1	1	1	1	1	1	1	1	1	1	1	1	1	1	1	1
2	SCREEN 18" WIRE SHROUD	W565-0328	C	1	1	1		1	1											
2	SCREEN 24" WIRE SHROUD	W565-0329	A				1			1	1	1	1	1	1	1	1	1	1	1
3	MOTOR, AXIAL 1/8HP 1075 RPM	W435-0103	A	1	1	1		1	1											
3	MOTOR, AXIAL 1/6HP 810 RPM	W435-0107	A				1			1	1	1	1		1	1	1	1	1	
3	AXIAL MOTOR - 1/5HP 5 TON 850 RPM	W435-0120	A											1					1	1
4	FAN, AXIAL 18" - 1.5/2 TON	W062-0053	A	1	1	1		1	1											
4	FAN, AXIAL 24"	W062-0072	A				1			1	1	1	1		1	1	1	1	1	
4	FAN, AXIAL 24" - 5 TON	W062-0067	A											1						1
5	TOP A/C PLATE CONDENSOR	W705-0305	A	1	1	1		1	1											
5	TOP A/C PLATE CONDENSOR	W705-0306*	A				1			1	1	1	1	1	1	1	1	1	1	1
6	SLEEVE, BLACK NYLON, 3/4" I.D. (1FT LG)	W200-0494	C	1	1	1	1	1	1	1	1	1	1	1	1	1	1	1	1	1
7	GASKET, FLEX ELASTOMERIC	W290-0338	A	1	1	1	1	1	1	1	1	1	1	1	1	1	1	1	1	1
8	GASKET, ELECT. ENCLOSURE TOP	W290-0250	A	1	1	1	1	1	1	1	1	1	1	1	1	1	1	1	1	1
9	D-CHANNEL RUBBER GASKET	W290-0256	A	1	1	1	1	1	1	1	1	1	1	1	1	1	1	1	1	1
10	PANEL, SHORT SIDE 24.4X30.6 PWD (ACHP)	W475-1224*	C	1	1	1		1	1											
10	PANEL, SHORT SIDE 24.4X39.6 PWD GREY (ACHP)	W475-1226*	C				1			1	1			1	1	1				
10	PANEL, SHORT SIDE 36.2X39.6 PWD (ACHP)	W475-1228*	C								1	1					1	1		
10	PANEL, SHORT SIDE 45.1X39.6 PWD (ACHP)	W475-1230*	C									1							1	1
11	PANEL, LONG SIDE 24.4X39.6 PWD (ACHP)	W475-1225*	C	1	1	1		1	1											
11	PANEL, LONG SIDE 24.4X51.4 PWD GREY (ACHP)	W475-1227*	C				1			1	1			1	1	1				
11	PANEL, LONG SIDE 36.2X51.4 PWD GREY (ACHP)	W475-1229*	C								1	1					1	1		
11	PANEL, LONG SIDE 45.1X51.4 PWD GREY (ACHP)	W475-1231*	C									1		1					1	1
12	BEZEL, CONTINENTAL, SIDE, BLACK	W385-1112	C	1	1	1	1	1	1	1	1	1	1	1	1	1	1	1	1	1
13	COMPRESSOR, SCROLL 16KBTUH RPLC (ACHP)	W172-0010	A					1						1						
13	COMPRESSOR, SCROLL 20KBTUH RPLC (ACHP)	W172-0012	A						1						1					
13	COMPRESSOR, SCROLL 24KBTUH RPLC (ACHP)	W172-0014	A							1						1				
13	COMPRESSOR, SCROLL 29KBTUH RPLC (ACHP)	W172-0015	A								1						1			
13	COMPRESSOR, SCROLL 34KBTUH RPLC (ACHP)	W172-0021	A									1						1		
13	COMPRESSOR, SCROLL 38KBTUH RPLC (ACHP)	W172-0017	A										1						1	
13	COMPRESSOR, SCROLL 40KBTUH RPLC (ACHP)	W172-0018	A											1						1
13	COMPRESSOR, SCROLL 49KBTUH RPLC (ACHP)	W172-0019	A												1					1
13	COMPRESSOR, 1.5T ASF155N1UKT (AC)	W172-0030	A	1																
13	* COMPRESSOR, 2T ASG195N1SKT (AC)	W172-0031	A		1															
13	* COMPRESSOR, 2.5T ASG235N1SKT (AC)	W172-0032	A			1														
13	COMPRESSOR, 3TPA291X3CS-3MTU (ACHP)	W172-0027	A				1													
14	COMPRESSOR MOUNTING HARDWARE	W020-0962	A	1	1	1	1	1	1	1	1	1			1	1	1	1		
14	COMPRESSOR MOUNTING HARDWARE	W020-0963	B										1	1	1				1	1

Items	Part Description	Part ID	Stocked	Part ID																	
				WTACR0018RA1	WTACR0024RA1	WTACR0030RA1	WTACR0036RA1	WTACS0018RA1	WTACS0024RA1	WTACS0030RA1	WTACS0036RA1	WTACS0042RA1	WTACS0048RA1	WTACS0060RA1	WTBCS0018RA1	WTBCS0024RA1	WTBCS0030RA1	WTBCS0036RA1	WTBCS0042RA1	WTBCS0048RA1	WTBCS0060RA1
14	COMPRESSOR MOUNTING HARDWARE	W370-0240	B	1	1	1															
14	COMPRESSOR MOUNTING HARDWARE	W370-0241	B				1														
	SERVICE VALVE - 3/4"	W725-0075		1	1	1	1	1	1	1	1	1			1	1	1	1			
	SERVICE VALVE - 7/8"	W725-0076										1	1	1					1	1	1
	SERVICE VALVE - 3/8"	W725-0074	A	1	1	1	1	1	1	1	1	1	1	1	1	1	1	1	1	1	1
15	ASSY, LIQUID LINE (AC)	W010-4667	A	1	1	1	1	1	1	1	1	1	1	1	1	1	1	1	1	1	1
17	ASSY, SUCTION LINE 3/4IN O.D. 1.5&2T (AC)	W010-4668	A					1	1												
17	ASSY, SUCTION LINE 3/4IN 2.5/3T (AC)	W010-4670	A							1	1						1	1			
17	ASSY, SUCTION LINE 3/4IN 1.5/2T (AC)	W010-4672	A												1	1					
17	ASSY, SUCTION LINE 7/8IN 3.5/4/5T (AC)	W010-4671	A									1	1	1					1	1	1
17	* ASSY, SUCTION LINE 5/8IN O.D. 1.5T (AC)	W010-5104	A	1																	
17	* ASSY, SUCTION LINE 5/8IN O.D. 2.0T (AC)	W010-5105	A		1																
17	* ASSY, SUCTION LINE 5/8IN O.D. 2.5T (AC)	W010-5107	A			1															
17	* ASSY, DISCHARGE LINE 3/8IN 1.5/2.5T (AC)	W010-5106	A				1		1												
16	* ASSY, DISCHARGE LINE 3/8IN, 2T (AC)	W010-5103	A					1													
16	ASSY, DISCHARGE LINE 1/2IN 29X27 - CS02	W010-3301	A																		
16	ASSY, DISCHARGE LINE 1/2IN 29X27 - CS02	W010-3655	A							1	1						1	1			
16	ASSY, DISCHARGE LINE 1/2IN 29X27 - CS01	W010-3654	A												1	1					
16	ASSY, DISCHARGE LINE 1/2" 29X27	W010-3813	A																		
16	ASSY, DISCHARGE LINE 3.5/4.0 TON (ACHP)	W010-3302	A									1	1							1	
16	ASSY, DISCHARGE LINE 5 TON (ACHP)	W010-3303	A											1						1	1
16	ASSY, DISCHARGE LIN 3/8IN O.D. (AC)	W010-5015	A	1	1	1															
16	ASSY, 1/2 DISCHARGE LINE 3T (AC)	W010-4859	A				1														
25	CAPACITOR, DUAL 30+5MFD 370V 50/60HZ	W435-0063	A						1												
25	CAPACITOR, DUAL 35+5MFD 370 50/60HZ	W435-0066	A							1							1				
25	CAPACITOR, DUAL 40+5MFD 370V 50/60HZ	W435-0067	A								1							1			
25	CAPACITOR, DUAL 45+5MFD 370V 50/60HZ	W435-0068	A									1	1	1					1	1	
25	CAPACITOR, DUAL 70+5MFD 370V 5/60HZ	W435-0069	A																		
25	CAPACITOR, 45+4MFD, 440V (CACM B)	W435-0086	A																		
25	CAPACITOR, 50+5MFD, 440V (CACM B)	W435-0083	A	1																	
25	CAPACITOR, 40+5MFD, 440V (CACM B)	W435-0085	A		1																
25	CAPACITOR, 55+5MFD, 440V (CACM B)	W435-0084	A				1														
25	* CAPACITOR, 60+5 MF, 440V (AC)	W435-0123	A				1														
25	CAPACITOR, 45 + 7.5 MF 440 VAC	W435-0121																			1
25	CAPACITOR, DUAL 70+7.5 MF 440 VAC	W435-0118													1						1
26	BRACKET, CAPACITOR	W080-1419	B	1	1	1	1	1	1	1	1	1	1	1	1	1	1	1	1	1	1
22	BRACKET, SHIELD WIRE	W585-0921	B	1	1	1	1	1	1	1	1	1	1	1	1	1	1	1	1	1	1
24	ASSY, ELECTRONIC PLATE (ACHP)	W010-4308	B	1	1	1	1	1	1	1	1	1			1	1	1				
24	ASSY, ELECTRONIC PLATE (ACHP)	W010-4309	B										1	1					1	1	
24	ASSY, ELECTRONIC PLATE (ACHP)	W010-4310	B												1					1	1
20	GROUND LUG	W670-0525	A	1	1	1	1	1	1	1	1	1	1	1	1	1	1	1	1	1	1
19	BUSHING, RELIEF 1/2" STRAIN	W105-0002	A	1	1	1	1	1	1	1	1	1	1	1	1	1	1	1	1	1	1
21	TERMINAL, A/C CONTACTOR 1 POLE	W670-0524	C	1	1	1	1	1	1	1	1	1	1	1	1	1	1	1	1	1	1
23	COVER - A/C ENCLOSURE	W200-0725*	C	1	1	1	1	1	1	1	1	1			1	1	1				
23	COVER - A/C ENCLOSURE	W200-0726*	C									1	1					1	1		
23	COVER - A/C ENCLOSURE	W200-0727*	C											1						1	1
27	WIRE HARNESS, A/C CONTACT - CAPACITOR	W750-0329	B	1	1	1	1	1	1	1	1	1			1	1	1	1	1	1	1
28	WIRE HARNESS, 24V CONTACT RELAY	W750-0340	B	1	1	1	1	1	1	1	1	1	1	1	1	1	1	1	1	1	1
29	WIRE HARNESS, COMPRESSUR PLUG	W750-0320	A	1	1	1	1	1	1	1	1	1	1	1	1	1	1	1	1	1	1
29	WIRE HARNESS LG COMPRESSOR (ACHP)	W750-0328	A	1	1	1	1														
	ASSY, COMP ELEC TERMINAL COVER	W370-0242	A	1	1	1	1														

Notes: W415-3149 / A / 12.19.22  
 \* A suffix is added to the end of the part number to specify the paint colour (i.e. -GY1TX for grey).



### 15.2 EXPLODED VIEW





# 16. WARRANTY

IOM

Wolf Steel Ltd. products are manufactured under the strict Standard of the world recognized ISO 9001 : 2015 Quality Assurance Certificate. Wolf Steel Ltd. products are designed with superior components and materials assembled by trained craftsmen who take great pride in their work. The complete appliance is thoroughly inspected by a qualified technician before packaging to ensure that you, the customer, receives the quality product that you expect from Wolf Steel Ltd.

## CONTINENTAL SPLIT AIR CONDITIONER LIMITED WARRANTY

The Continental Split Air Conditioners are warranted by Wolf Steel Ltd. to be free from defects in materials and workmanship under normal use and maintenance.

### PRESIDENT'S LIMITED WARRANTY (Registered)

To the original registered owner and his or her spouse ("owner"), the **Continental Air Conditioner** is warranted for **10 YEARS in the home** which the unit was originally installed, except as provided below. These warranties apply only if:

- The unit is installed in an owner-occupied, primary single family residence, and
- The warranty is registered with **Wolf Steel Ltd.** online within 60 days after the original installation or possession of a new home.

OR

### LIMITED WARRANTY (Not Registered)

If not registered, **all parts**, including the compressor are warranted for a period of **5 YEARS**. Should a part fail due to defect within the first year, Wolf Steel Ltd. reserves the right to replace the defective part or the entire condenser assembly at company's discretion. Diagnostics, transportation or labor charges related to warranty repair is not covered.

\* Construction of models varies. Warranty applies only to components included with your specific appliance.

### WARRANTY REGISTRATION

To register, go to [www.continentalcomfort.com](http://www.continentalcomfort.com) or by phone: **1-866-820-8686**. Some states and provinces do not allow limitations on how long an implied limited warranty lasts or do not allow the exclusion or limitation of incidental or consequential damages, so the limitations or exclusions may not apply to you. This limited warranty gives you specific legal rights, and you may also have other rights which vary by jurisdiction.

### CONDITIONS AND LIMITATIONS

Warranty claims must be authorized by Wolf Steel Ltd. recognized representative or agent; parts/components being claimed may need to be analyzed at a Wolf Steel Ltd. facility. Records of installation date and periodic maintenance are required to process claim. All warranty service must be done by Wolf Steel Ltd. authorized service technicians using approved components.

Returned products are to be shipped prepaid to the manufacturer for investigation. If a product is found to be defective, the manufacturer will repair or replace such defect. Before shipping your appliance or defective components, your dealer must obtain an authorization number. Any merchandise shipped without authorization will be refused and returned to sender. Shipping costs are not covered under this warranty. Additional service fees may apply if you are seeking warranty service from a dealer.

### Limitations:

Wolf Steel Ltd. is not responsible for:

1. Damages/Repairs/Costs incurred due to faulty installation or application.
2. Damages/Repairs/Costs caused by an installation that is not performed in compliance with all federal, provincial/state laws or regulations, and the Installation and Operation Manual.
3. Damage as a result of vandalism, freight damage, floods, fires, winds, lightening, and accidents, or any act of nature. Atmospheres contaminated by compounds of chlorine, halogenated hydrocarbons, or other damaging chemicals causing deterioration of components, or other conditions beyond the control of Wolf Steel.
4. Use of components or accessories not compatible with this appliance.
5. Products installed outside of Canada and the United States and its territories.
6. Routine maintenance, but not limited to, cleaning of the coils, filter cleaning and/or replacement and lubrication.
7. Damages/Repairs/Costs incurred because of the use of Parts not supplied or previously authorized by Wolf Steel.
8. Damages or repairs required as a result of improper use, maintenance, operation, servicing, cleaning or replacing filters.
9. Failure to operate due to interruption and/or inadequate electrical service.
10. Damages, defects or failures caused by accidents or negligent or unreasonable use or operation of the unit and its' components, including without limitation, operation beyond rated capacity and operation of electrical components at voltage other than that specified on the rating plate.
11. Wolf Steel will not in any event extend warranty coverage to any incidental, consequential or indirect damages.
12. Changes in the appearance of the unit that does not affect its performance.
13. Damages, defects or failures caused by operation of the unit in abnormal environmental conditions (i.e. salt air).
14. Damages, defects or failures caused by operating air conditioning modules during periods when outdoor ambient temperatures fall below 13°C/55°F.

ALL SPECIFICATIONS AND DESIGNS ARE SUBJECT TO CHANGE WITHOUT PRIOR NOTICE DUE TO ON-GOING PRODUCT IMPROVEMENTS. Continental® IS A REGISTERED TRADEMARK OF WOLF STEEL LTD. PATENTS U.S. 5.303.693.801 - CAN. 2.073.411, 2.082.915 © WOLF STEEL LTD.

### FOR HOMEOWNERS FUTURE REFERENCE

Model and Serial Number \_\_\_\_\_  
(Serial number located on inside bottom door)  
Installation Date \_\_\_\_\_

Dealer Name \_\_\_\_\_  
Dealer's City/Province-State/Postal-Zip Code \_\_\_\_\_  
Telephone/Fax \_\_\_\_\_  
E-mail Address \_\_\_\_\_

For further information about this warranty, contact Wolf Steel Ltd. *Customer Solutions Department* by • phone (866) 820-8686 • by email: [hvac@continentalcomfort.com](mailto:hvac@continentalcomfort.com) • or mail to **WOLF STEEL**, 24 Napoleon Road, Barrie, Ontario L4M 0G8 Canada



w w w . c o n t i n e n t a l c o m f o r t . c o m



## 18. OWNER'S SERVICE INFORMATION

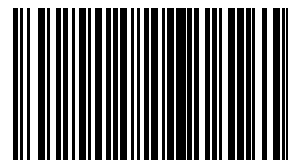
TABLE 5.

HOMEOWNER'S REFERENCE TABLE
Model No.
Serial No. <i>(serial number located on bottom of inside door)</i>
Date Installed
Contractor
Contact
Address
Postal Code/Zip Code
Telephone No.
After Hours No.
<b>If different from Installation Contractor:</b>
Service Tech.
Telephone No.
After Hours No.
<b>NOTE:</b>

H28.1







W415-3149

## CONTINENTAL

---

24 Napoleon Road,  
Barrie, Ontario,  
Canada L4M 0G8

214 Bayview Drive,  
Barrie, Ontario,  
Canada L4N 4Y8

103 Miller Drive,  
Crittenden, Kentucky,  
USA 41030

7200, Route Transcanadienne,  
Montréal, Québec  
Canada H4T 1A3

**P: 1-866-820-8686**  
[continentalcomfort.com](http://continentalcomfort.com)

**SYSTÈMES DE CLIMATISATION  
CENTRALE DE SEER2 13.4 &  
SEER2 14.3**

**INSTALLATEUR:** AVANT DE COMMENCER L'INSTALLATION, VEUILLEZ VOUS FAMILIARISER AVEC CE MANUEL. LAISSEZ CE MANUEL AVEC L'APPAREIL POUR CONSULTATION ULTÉRIEURE.

**PROPRIÉTAIRE:** CONSERVEZ CE MANUEL POUR CONSULTATION ULTÉRIEURE.

**INFORMATION DE  
SÉCURITÉ**

**⚠ AVERTISSEMENT ⚠**

**RISQUE D'ÉLECTROCUTION,  
D'INCENDIE OU D'EXPOSITION.**

Le non-respect des consignes de sécurité et des instructions pourrait causer des blessures graves, la mort, ou des dommages matériels.

L'appareil contient du fluide réfrigérant R-410A et de l'huile pour compresseur de type POE! Utilisez uniquement du fluide réfrigérant R-410A et de l'huile pour compresseur de type POE approuvée. Les conduits de fluide réfrigérant doivent être brasées et résister à la pression du R-410!

Ces informations sont destinées à être utilisées par des techniciens CVC qualifiés possédant une expérience adéquate en électricité et en mécanique. Toute tentative de réparation d'un produit de climatisation centrale peut entraîner des blessures et/ou des dommages matériels. Le fabricant ou le vendeur ne peuvent être tenus responsables de l'interprétation de ces informations, ni assumer aucune responsabilité en rapport avec leur utilisation.

Un équipement de service approprié est requis. Utilisez uniquement un équipement de service approuvé R-410A. Le fait de ne pas utiliser les outils d'entretien appropriés peut entraîner des dommages matériels ou des blessures.

L'installation doit être effectuée conformément aux exigences du service public local et des autres autorités compétentes. Le National Electrical Code aux États-Unis et le Canadian Electrical Code CSA C22.1 Part 1 (dernière édition) au Canada. Toute modification du câblage interne annulera la certification et les garanties.

# MANUAL D'INSTALLATION ET D'OPÉRATION

Conforme à la norme UL de 1995.  
Certifié selon la norme CSA C22.2 No. 60335-2-40:17.



Wolf Steel Ltée., 24 rue Napoleon, Barrie, ON, L4M 0G8  
Canada/ 103 Miller Drive, Crittenden, Kentucky, É.-U., 41030

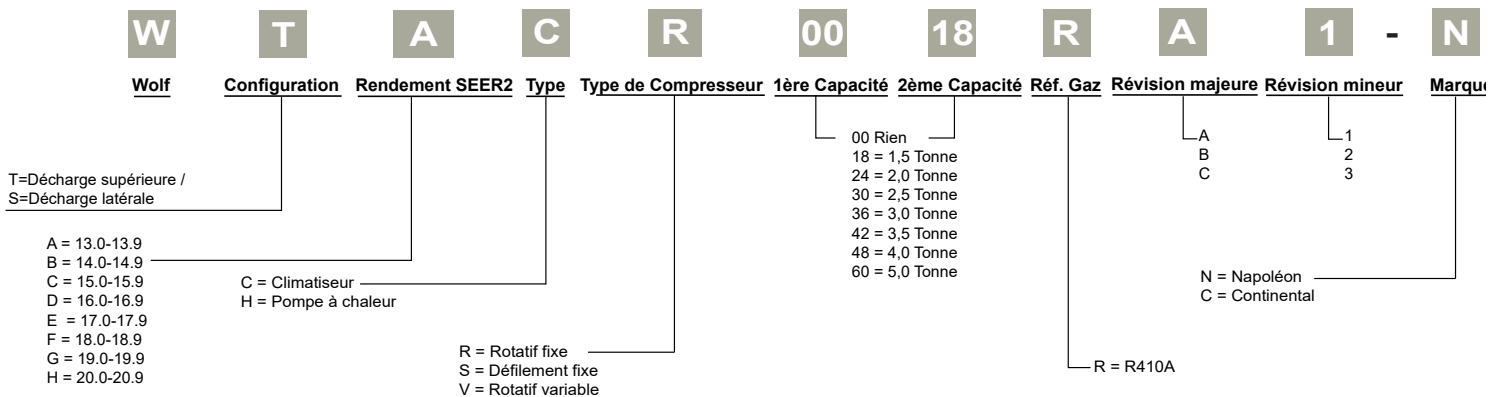
**LE FABRICANT SE RESERVE LE DROIT D'INTERROMPRE,  
OU MODIFIER À TOUT MOMENT, LES SPÉCIFICATIONS  
OU CONCEPTIONS SANS PRÉAVIS ET SANS ENCOURIR  
D'OBLIGATIONS.**

# TABLE DES MATIÈRES

- 1. DESCRIPTION DU MODÈLE .....36
- 2. VUE D'ENSEMBLE .....37
- 3. SÉCURITÉ .....37
  - 3.1 SYMBOLES DE SÉCURITÉ .....37
  - 3.2 CONSIGNES DE SÉCURITÉ .....38
  - 3.3 CODES .....39
- 4. LIMITATIONS .....39
- 5. L'EMPLACEMENT ET DÉGAGEMENTS .....40
  - 5.1 DÉGAGEMENTS .....40
  - 5.2 RESTRICTIONS AU NIVEAU DE L'EMPLACEMENT .....40
- 6. INSTALLATION .....41
  - 6.1 SUPPORT .....41
  - 6.2 MISE EN PLACE DE L'UNITÉ .....41
  - 6.3 INSTALLATION DES CONDUITES DE RÉFRIGÉRANT .....42
- 7. ÉVACUATION .....47
  - 7.1 ÉVACUATION DES CONDUITES DE RÉFRIGÉRANT ET DU SERPENTIN INTÉRIEUR .....47
- 8. VALVES DE SERVICE .....48
  - 8.1 OUVERTURE DES VALVES DE SERVICE .....48
- 9. CONSIGNES ÉLECTRIQUES .....49
  - 9.1 HAUTE TENSION .....49
- 10. MISE EN MARCHÉ .....53
- 11. AJUSTEMENT DE LA CHARGE DU SYSTÈME .....54
  - 11.1 CHARGE TOTALE DU SYSTÈME .....54
  - 11.2 RÉGLAGE DE LA CHARGE NOMINALE POUR LES SYSTÈMES À DÉTENDEURS THERMOSTATIQUES .....54
  - 11.3 AJUSTEMENT DE LA CHARGE DU SYSTÈME POUR LES SYSTÈMES UTILISANT DES ORIFICES FIXES .....55
  - 11.4 ENREGISTREMENT DES INFORMATIONS DU SYSTÈME .....55
- 12. PROCÉDURES DE VÉRIFICATION .....56
  - 12.1 INSTRUCTIONS À DONNER AU PROPRIÉTAIRE .....56
  - 12.2 PROCÉDURE DE VÉRIFICATION .....56
  - 12.3 PROCÉDURE DE VÉRIFICATION DU SYSTÈME EN FONCTION .....56
- 13. GUIDE DE DÉPANNAGE DU CLIMATISEUR .....57
- 14. ENTRETIEN .....59
  - 14.1 INTÉRIEUR .....59
  - 14.2 EXTÉRIEUR .....59
- 15. PIÈCES DE RECHANGE .....60
  - 15.1 LISTE DES PIÈCES .....60
  - 15.2 VUE ÉCLATÉE .....62
  - 15.3 ACCESSOIRES .....63
- 16. GARANTIE .....64
- 17. HISTORIQUE D'ENTRETIEN .....65
- 18. FICHE DU PROPRIÉTAIRE .....66
- 19. NOTES .....67

**INSPECTION À LA LIVRAISON:** L'unité est expédiée dans une boîte, entièrement assemblée et câblée. Inspecter le contenant d'expédition dès la réception de l'unité. S'il y a apparence de dommage, il doit être noté sur la facture de transport avant d'apposer votre signature. Les formulaires de réclamation doivent être remplis avec le transporteur dès que possible. Vérifier la plaque d'homologation (à l'avant du panneau d'accès) afin de confirmer les capacités de refroidissement. L'unité DOIT fonctionner uniquement avec le type de réfrigérant, d'huile et l'alimentation électrique indiqués sur la plaque d'homologation.

## 1. DESCRIPTION DU MODÈLE



## 2. VUE D'ENSEMBLE

Ces instructions portent sur l'installation d'un climatiseur central de Continental. La gamme de climatiseurs centraux de Continental vous offre une qualité et une durabilité supérieures. Le fonctionnement de toutes les unités extérieures a été testé en usine et elles sont prêtes à l'installation.

La gamme de climatiseurs centraux est conçue pour performer pendant de nombreuses années. Ces instructions sont destinées à aider les techniciens de service qualifiés à installer adéquatement cette unité. Une installation inadéquate peut endommager l'équipement, annuler la garantie et créer une situation dangereuse, causant des dommages matériels, des blessures ou la mort.

Nos systèmes de climatisation et les composantes doivent être installés par un technicien qualifié en CVC SEULEMENT. L'installation de systèmes de climatisation comprend des branchements électriques et de réfrigérant et est réglementée par plusieurs lois, codes et directives, au niveau fédéral, provincial et local. L'installateur a la responsabilité d'installer le produit conformément à tous les codes et règlements applicables. Le propriétaire a la responsabilité de bien entretenir l'équipement. AUCUNE GARANTIE n'est offerte sur les produits qui ont été installés par des personnes non certifiées ou non autorisées. Le non-respect de cette politique pourrait entraîner des violations des lois en vigueur, violations qui sont punissables.

La documentation et les spécifications sont continuellement mises à jour et peuvent être modifiées. Veuillez télécharger la dernière version des spécifications et les manuels au <http://continentalheatingandcooling.com>.

## 3. SÉCURITÉ

### 3.1 SYMBOLES DE SÉCURITÉ

Assurez-vous de comprendre et de porter une attention particulière aux mots DANGER, AVERTISSEMENT et ATTENTION ainsi qu'aux symboles définis subséquemment. Ils sont utilisés tout au long de ce manuel pour aviser le lecteur de dangers potentiels et de niveaux de risque variés.

#### DANGER

INDIQUE UNE SITUATION DANGEREUSE IMMINENTE QUI, SI ELLE N'EST PAS ÉVITÉE, CAUSERA LA MORT OU DES BLESSURES GRAVES.

#### AVERTISSEMENT

INDIQUE UNE SITUATION POTENTIELLEMENT DANGEREUSE QUI, SI ELLE N'EST PAS ÉVITÉE, POURRAIT CAUSER LA MORT OU DES BLESSURES GRAVES.

#### ATTENTION

INDIQUE UNE SITUATION POTENTIELLEMENT DANGEREUSE QUI, SI ELLE N'EST PAS ÉVITÉE, POURRAIT CAUSER DES BLESSURES MINEURES OU LÉGÈRES. PEUT AUSSI ÊTRE UTILISÉ POUR METTRE EN GARDE CONTRE DES PRATIQUES NON SÉCURITAIRES.

#### IMPORTANT

PRÉSENTE DES MESURES IMPORTANTES POUR ASSURER UNE INSTALLATION, UNE FIABILITÉ OU UN FONCTIONNEMENT ADÉQUATS.

#### REMARQUE

MET L'ACCENT SUR LES SUGGESTIONS QUI AMÉLIORENT L'INSTALLATION, LA FIABILITÉ OU LE FONCTIONNEMENT.

H3.3.2. \_FR

### 3.2 CONSIGNES DE SÉCURITÉ

#### **IMPORTANT :**

AVANT DE PROCÉDER À L'INSTALLATION, LISEZ TOUTES LES DIRECTIVES SUIVANTES!

#### **⚠️ AVERTISSEMENT ⚠️**

CETTE INFORMATION EST DESTINÉE AUX TECHNICIENS EN CVC QUALIFIÉS. TOUTE TENTATIVE DE RÉPARATION D'UN CLIMATISEUR CENTRAL PEUT ENTRAÎNER DES BLESSURES CORPORELLES OU DES DOMMAGES MATÉRIELS. LE FABRICANT OU LE VENDEUR NE SONT PAS RESPONSABLES DE L'INTERPRÉTATION DE CETTE INFORMATION ET N'ASSUMENT AUCUNE RESPONSABILITÉ LIÉE À SON UTILISATION.

#### **⚠️ ATTENTION ⚠️**

L'APPAREIL CONTIENT DU RÉFRIGÉRANT R-410A ET DE L'HUILE DE COMPRESSEUR POE. UTILISEZ SEULEMENT DU RÉFRIGÉRANT R-410A ET DE L'HUILE DE COMPRESSEUR POE. LES CONDUITES DE RÉFRIGÉRANT DOIVENT ÊTRE BRASÉES ET ÉVALUÉES POUR RÉSISTER À LA PRESSION DU R-410!  
IL EST OBLIGATOIRE D'UTILISER DE L'ÉQUIPEMENT D'ENTRETIEN APPROPRIÉ. UTILISEZ SEULEMENT DU RÉFRIGÉRANT R-410A APPROUVÉ POUR L'ENTRETIEN. L'UTILISATION D'OUTILS INADÉQUATS POUR L'ENTRETIEN PEUT ENDOMMAGER L'ÉQUIPEMENT OU ENTRAÎNER DES BLESSURES CORPORELLES.

TOUS LES SYSTÈMES R-410A FONCTIONNENT AVEC DE L'HUILE POE. L'HUILE POE ABSORBE FACILEMENT L'HUMIDITÉ DE L'AIR. L'HUILE DE COMPRESSEUR DE TOUT SYSTÈME EXPOSÉ À DES CONDITIONS ATMOSPHÉRIQUES PENDANT PLUS DE QUATRE HEURES DOIT ÊTRE REMPLACÉE. NE JAMAIS CASSER LE VIDE AVEC DE L'AIR ET TOUJOURS CHANGER LE FILTRE SEC AU MOMENT D'OUVRIRE LE SYSTÈME POUR PROCÉDER AU REMPLACEMENT D'UN COMPOSANT.

#### **⚠️ AVERTISSEMENT ⚠️**

SURFACE CHAUDE! NE TOUCHEZ PAS LE DESSUS DU COMPRESSEUR. LE COMPRESSEUR ET LES CONDUITES D'ÉVACUATION PEUVENT ÊTRE EXTRÊMEMENT CHAUDS. TOUT CONTACT PEUT CAUSER DES BRÛLURES, DE LÉGÈRES À GRAVES.

#### **⚠️ ATTENTION ⚠️**

PENDANT L'INSTALLATION, LA VÉRIFICATION, L'ENTRETIEN ET LA RÉOLUTION DE PROBLÈME, IL SERA PEUT-ÊTRE NÉCESSAIRE DE TRAVAILLER AVEC DES COMPOSANTES ÉLECTRIQUES. IL EXISTE UN RISQUE D'ÉLECTROCUTION POUVANT PROVOQUER DES BLESSURES OU LA MORT :  
COUPER L'ALIMENTATION ÉLECTRIQUE AVANT DE PROCÉDER À L'ENTRETIEN!

#### **⚠️ AVERTISSEMENT ⚠️**

CES INSTRUCTIONS SONT DESTINÉES À AIDER LES TECHNICIENS DE SERVICE QUALIFIÉS À INSTALLER, À RÉGLER ET À FAIRE FONCTIONNER ADÉQUATEMENT CETTE UNITÉ. LIREZ CES DIRECTIVES ATTENTIVEMENT AVANT DE PROCÉDER À L'INSTALLATION ET AU FONCTIONNEMENT DE L'APPAREIL. SI CES DIRECTIVES NE SONT PAS SUIVIES À LA LETTRE, L'INSTALLATION, LE RÉGLAGE, LE SERVICE OU L'ENTRETIEN POURRAIENT ÊTRE INADÉQUATS, CE QUI RISQUERAIT DE CAUSER UN INCENDIE, UNE ÉLECTROCUTION, UNE EXPLOSION, DES DOMMAGES MATÉRIELS, DES BLESSURES OU LA MORT.

#### **REMARQUE**

UTILISER UNIQUEMENT DES PIÈCES CVC AUTORISÉES. L'USAGE D'AUTRES PIÈCES RISQUE D'ANNULER LA GARANTIE ET DE NUIRE À LA PERFORMANCE.

1. Seul un technicien de service formé et qualifié possédant une bonne maîtrise des instructions d'entretien standard et du matériel de formation devrait effectuer le service ainsi que l'installation et la réparation de ces appareils. Une installation non conforme, des réglages, des modifications, un service, un entretien ou un usage inadéquats peuvent provoquer une explosion, un incendie, une électrocution ou d'autres situations pouvant entraîner la mort, des blessures corporelles ou des dommages matériels. Pour obtenir de l'information ou de l'aide, consultez un installateur qualifié, une agence de service, votre distributeur ou votre succursale.
2. L'unité comprend du réfrigérant R-410A et de l'huile de compresseur POE! Utilisez seulement du réfrigérant R-410A et de l'huile de compresseur POE approuvés. Les conduites de réfrigérant doivent être brasées et approuvées pour résister à la pression du R410!
3. Respectez tous les codes de sécurité.
4. Portez des lunettes de sécurité, des vêtements protecteurs et des gants de travail.
5. Ayez un extincteur d'incendie à portée de main.
6. Lisez bien les instructions et respectez tous les avertissements et mises en garde inclus dans le manuel et apposés sur l'unité. Consultez les codes fédéraux, provinciaux et locaux pour connaître les exigences particulières.

## ⚠ AVERTISSEMENT ⚠

### FRIGORIGÈNE SOUS PRESSION!

**MANIPULEZ LES FRIGORIGÈNES DE FAÇON SÉCURITAIRE EN TOUT TEMPS. LE NON-RESPECT DES PROCÉDURES ADÉQUATES POURRAIT CAUSER DES DOMMAGES MATÉRIELS, DES BLESSURES CORPORELLES OU LA MORT.**

**LES FRIGORIGÈNES SONT PLUS LOURDS QUE L'AIR ET PEUVENT PROVOQUER LA SUFFOCATION. POUR ÉVITER TOUT RISQUE DE DIFFICULTÉ RESPIRATOIRE OU DE DÉCÈS :**

- **NE PURGEZ JAMAIS LE FRIGORIGÈNE DANS UNE PIÈCE FERMÉE OU UN ESPACE CLOS. EN VERTU DE LA LOI, TOUT FRIGORIGÈNE DOIT ÊTRE RÉCUPÉRÉ.**
- **SI VOUS SOUPÇONNEZ LA PRÉSENCE D'UNE FUITE DANS UN ESPACE INTÉRIEUR, AÉREZ BIEN LA ZONE AVANT DE COMMENCER LES TRAVAUX.**
- **LE FRIGORIGÈNE LIQUIDE PEUT ÊTRE TRÈS FROID. POUR ÉVITER TOUT RISQUE DE GELURE OU DE CÉCITÉ, ÉVITEZ TOUT CONTACT AVEC LE FRIGORIGÈNE ET PORTEZ DES GANTS ET DES LUNETTES. SI DU FRIGORIGÈNE LIQUIDE ENTRE EN CONTACT AVEC VOTRE PEAU OU VOS YEUX, CONSULTEZ UN MÉDECIN IMMÉDIATEMENT.**
- **NE FAITES JAMAIS BRÛLER DU FRIGORIGÈNE, CAR IL LIBÉRERA DES GAZ TOXIQUES.**

MIO

### 3.3 CODES

**Cette unité doit être installée conformément à tous les codes, réglementations et règlements locaux émis par les autorités compétentes.**

#### Les branchements électriques doivent :

- a. Au Canada, être conformes à la version courante de la norme CAN/CSA C22.1 et C22.2 du Code canadien de l'électricité (Partie 1 et 2).
- b. Aux États-Unis, être conformes à la version courante de la norme ANSI/NFPA 70 du National Electrical Code.

#### Les normes ainsi que d'autres renseignements sont disponibles auprès des organismes suivants:

Association canadienne de normalisation  
5060, Spectrum Way  
Mississauga, (Ontario) L4W 5N6  
Tél. : 416 747-4000  
Site Web : www.csa.ca

National Fire Protection Association  
1, Batterymarch Park  
Quincy, MA, 02169-7471  
Tél. : 617 770-3000  
Site Web : www.nfpa.org

American Gas Association  
400, North Capitol Street,  
NW, Suite 450  
Washington DC, 20001  
Tél. : 202 824-7000  
Site Web : www.aga.org

H3.95\_FR

## 4. LIMITATIONS

L'unité doit être installée conformément à tous les codes nationaux, provinciaux et locaux ainsi que selon les limitations suivantes :

1. Des limitations pour l'unité intérieure, le serpentín et les accessoires doivent aussi être respectées.
2. L'unité extérieure ne doit pas être installée avec des conduites dans le flux d'air. Le ventilateur extérieur est de type à hélice et n'est pas conçu pour fonctionner contre toute pression statique externe additionnelle.
3. Les conditions de fonctionnement minimales et maximales doivent être respectées afin d'assurer une performance maximale du système avec un minimum d'entretien.

Température ambiante de l'air sur le serpentín extérieur		Température de l'air sur le serpentín intérieur	
Min. DB	Max. DB	Min. WB	Max. WB
50 °F (10 °C)	115 °F (46 °C)	57 °F (14 °C)	72 °F (22 °C)

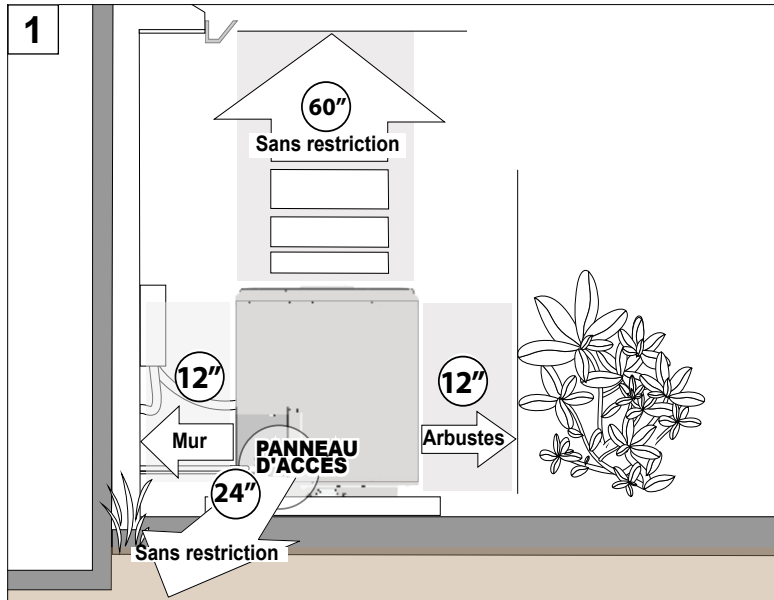
**TABLEAU 1.**

4. L'unité ne doit pas fonctionner à des températures extérieures inférieures à 50 °F sans un ensemble pour basse température approuvé.

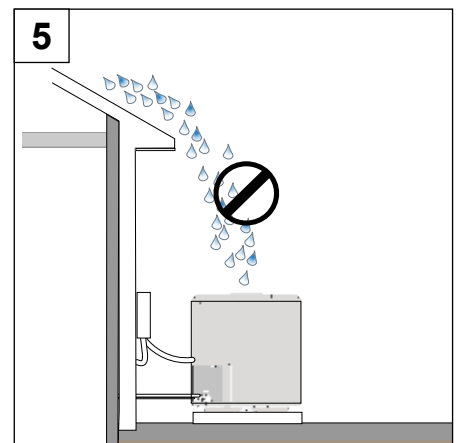
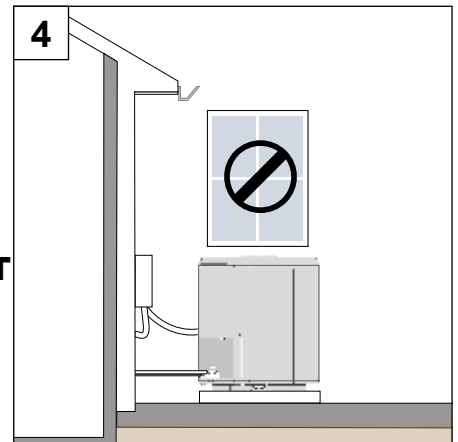
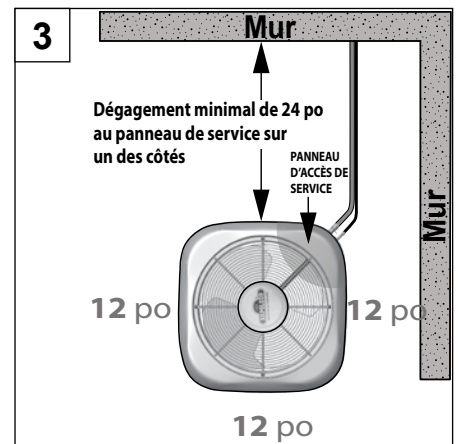
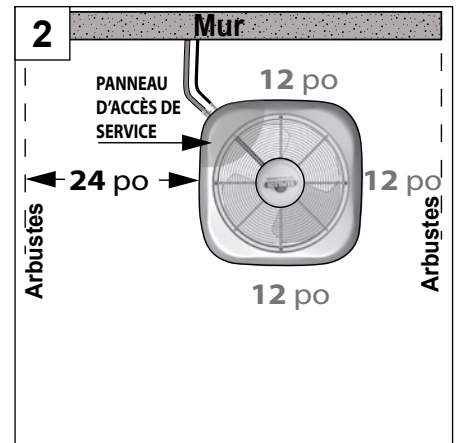
## 5. L'EMPLACEMENT ET DÉGAGEMENTS

### 5.1 DÉGAGEMENTS

Les dégagements minimaux requis pour l'installation et l'accessibilité sont indiqués ci-dessous. Ces dégagements doivent être respectés à moins d'avis contraire approuvé par le fabricant.



- Assurez-vous que l'échappement d'air sur le dessus de l'unité soit dégagé d'au moins 60" (Figure 1).
- Un dégagement doit être prévu à l'avant du panneau d'accès pour l'entretien et une circulation d'air adéquate autour du cabinet comme illustré aux Fig. 1, 2, et 3.
- La distance minimale entre deux ou plusieurs unités est de 24".



### 5.2 RESTRICTIONS AU NIVEAU DE L'EMPLACEMENT

- N'installez pas l'unité près des chambres à coucher ni à des endroits où les bruits de fonctionnement pourraient être dérangeants (Fig. 4).
- L'unité extérieure doit être suffisamment éloignée de toute structure afin d'empêcher les eaux de ruissellement excessives de tomber directement sur l'unité (Fig. 5). Consultez les codes locaux et nationaux.

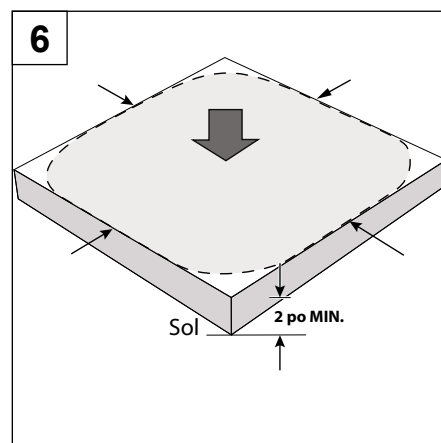


## 6. INSTALLATION

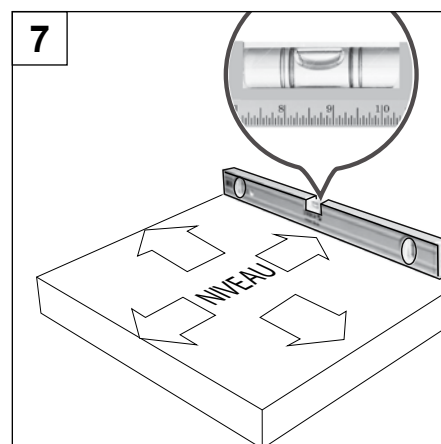
### 6.1 SUPPORT

#### Base :

1. La base doit être:
  - a. être séparée de toute autre structure.
  - b. présenter des dimensions correspondant à celles du cabinet. Aucune partie du cabinet ne doit dépasser la base (Fig. 6).



2. La base doit être de niveau (Fig. 7). L'emplacement de la base doit être conforme aux codes nationaux, provinciaux et locaux.

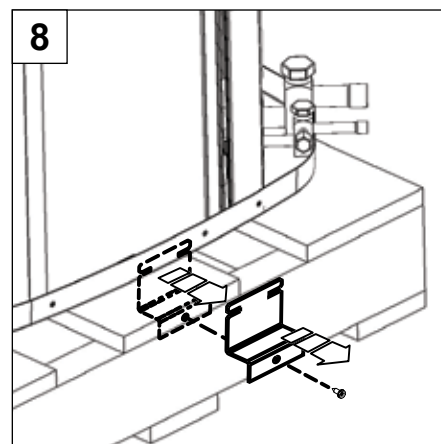


### 6.2 MISE EN PLACE DE L'UNITÉ

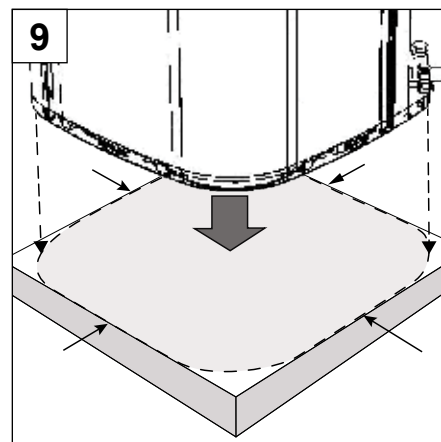
**⚠ IMPORTANT ⚠**

**AVANT DE PROCÉDER À L'INSTALLATION, RETIRER LES SUPPORTS DE TRANSPORT.**

3. Enlevez les vis servant à fixer les quatre supports à la palette, puis soulevez l'unité (Fig. 8).



4. Placez l'unité sur la base en prenant soin de bien la positionner et la centrer (Fig. 9).

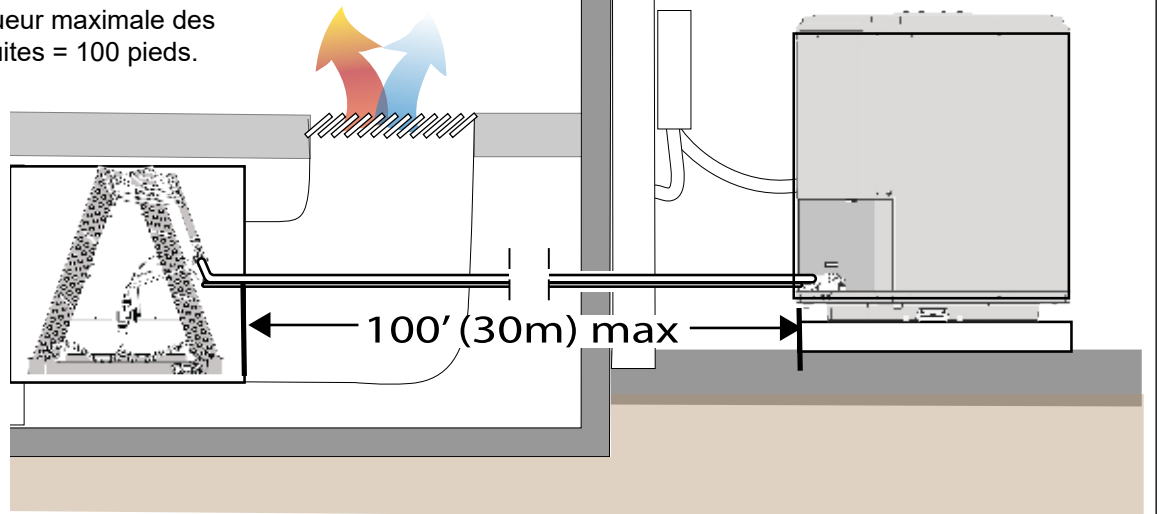


## 6.3 INSTALLATION DES CONDUITES DE RÉFRIGÉRANT

### 6.3.1 Limitations au niveau des conduites de réfrigérant

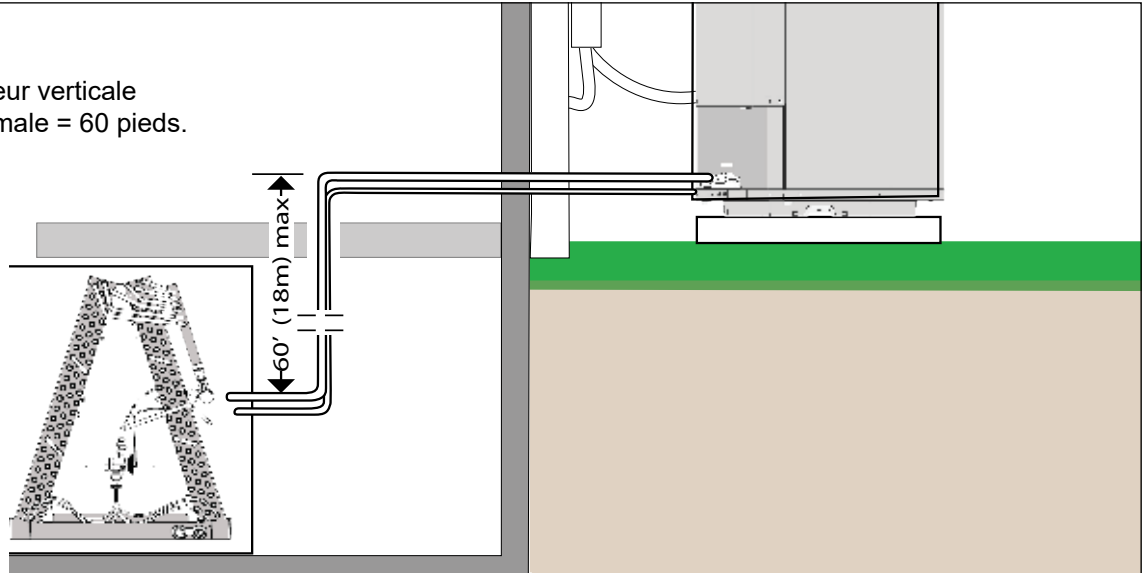
10

- Longueur maximale des conduites = 100 pieds.



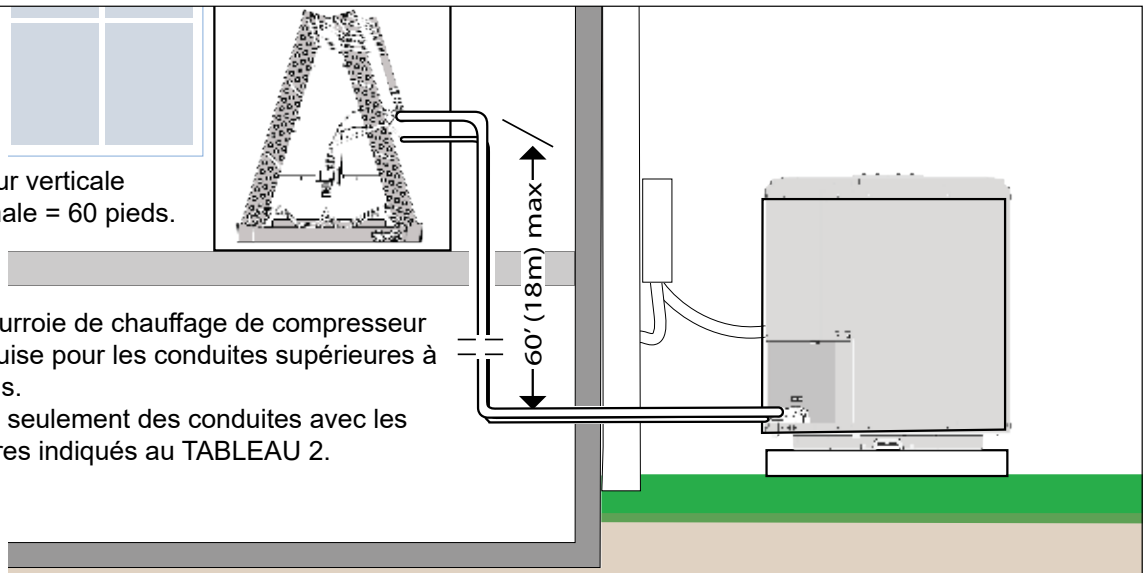
11

- Hauteur verticale maximale = 60 pieds.



12

- Hauteur verticale maximale = 60 pieds.
- Une courroie de chauffage de compresseur est requise pour les conduites supérieures à 60 pieds.
- Utilisez seulement des conduites avec les diamètres indiqués au TABLEAU 2.



## 6.3.2 Dimensions de raccordement des conduites de réfrigérant et de la valve de service

### RACCORDEMENTS DES CONDUITES

L'appareil de condensation extérieur doit être raccordé au serpentin d'évaporateur intérieur approprié au moyen d'un tuyau de cuivre réfrigérant (ACR) présentant un intérieur propre et sec (fourni sur place). Les appareils doivent être installés uniquement avec des tubes ayant des dimensions appropriées aux combinaisons de systèmes approuvées (voir tableau 2).

### REMARQUE

- L'UTILISATION D'UNE CONDUITE PLUS LARGE QUE CELLE SPÉCIFIÉE PEUT CAUSER DES PROBLÈMES DE RETOUR D'HUILE.
- L'UTILISATION D'UNE CONDUITE TROP PETITE ENTRAÎNERA UNE PERTE DE CAPACITÉ ET D'AUTRES PROBLÈMES CAUSÉS PAR UN DÉBIT DE RÉFRIGÉRANT INSUFFISANT.
- INCLINEZ LA CONDUITE GAZEUSE HORIZONTALE D'AU MOINS 1" À CHAQUE 20 PIEDS VERS L'UNITÉ EXTÉRIEURE AFIN DE FACILITER UN RETOUR D'HUILE ADÉQUAT.

TABLEAU 2.

MODÈLE	Diamètre des conduites		Dimensions de raccordement de la valve de service	
	Conduite gazeuse	Conduite liquide	Raccordement de la conduite gazeuse	Raccordement de la conduite liquide
1,5 tonnes	3/4	3/8	3/4	3/8
2,0 tonnes	3/4	3/8	3/4	3/8
2,5 tonnes	3/4	3/8	3/4	3/8
3,0 tonnes	3/4	3/8	3/4	3/8
3,5 tonnes	7/8	3/8	7/8	3/8
4,0 tonnes	7/8	3/8	7/8	3/8
5,0 tonnes	7/8	3/8	7/8	3/8

### 6.3.3 Brasage des conduites

#### ⚠ AVERTISSEMENT ⚠

LES CONDUITES DE RÉFRIGÉRANT DOIVENT ÊTRE BRASÉES ET APPROUVÉES POUR RÉSISTER À LA PRESSION DU R410!

#### ⚠ AVERTISSEMENT ⚠

NE PAS RETIRER LES CAPUCHONS DE VALVE DE SERVICE AVANT LA SECTION 7.

#### ⚠ ATTENTION ⚠

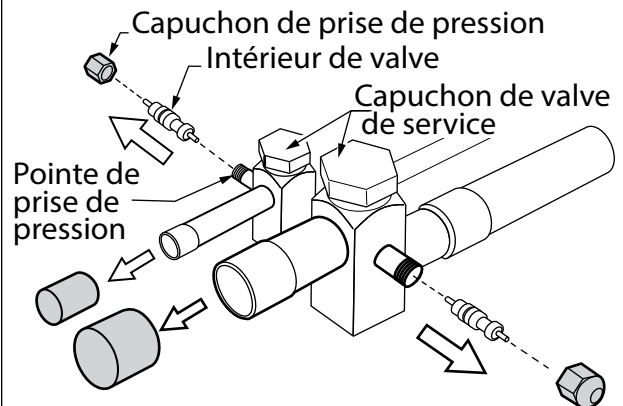
DE L'AZOTE SEC DOIT ÊTRE FOURNI EN TOUT TEMPS À TRAVERS LE TUYAU PENDANT QUE CELUI-CI SE FAIT BRASER, PUISQUE LA TEMPÉRATURE REQUISE EST SUFFISAMMENT CHAUDE POUR CAUSER L'OXYDATION DU CUIVRE, À MOINS D'ÊTRE EFFECTUÉS SOUS ATMOSPHÈRE INERTE. LE FLUX D'AZOTE SEC DOIT ÊTRE CONTINU JUSQU'À CE QUE LE JOINT AIT REFROIDI. UTILISER TOUJOURS UN RÉGULATEUR DE PRESSION ET UNE SOUPAPE DE SÉCURITÉ AFIN D'ASSURER QUE SEULE UNE FAIBLE PRESSION D'AZOTE SEC EST INTRODUITE DANS LE TUYAU. UN FAIBLE DÉBIT EST SUFFISANT POUR DÉPLACER L'AIR ET PRÉVENIR L'OXYDATION.

#### ⚠ AVERTISSEMENT ⚠

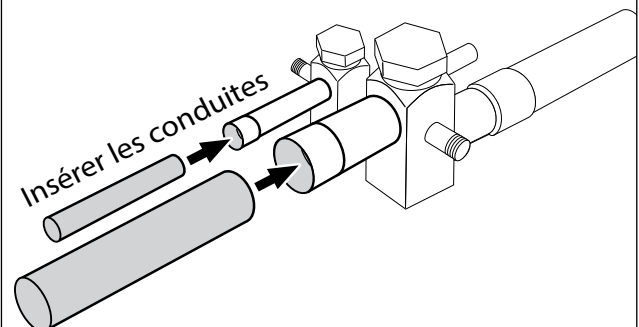
NE JAMAIS ESSAYER DE RÉPARER DES RACCORDEMENTS BRASÉS LORSQUE LE SYSTÈME EST SOUS PRESSION. DES BLESSURES CORPORELLES POURRAIENT S'ENSUIVRE.

1. Retirez les capuchons de plastique des valves de service. Retirez les capuchons de prise de pression et l'intérieur des valves des pointes de prise de pression (Fig. 13).
2. Installez les conduites dans les raccords des valves de service (Fig. 14).
3. Purgez la conduite de réfrigérant et le serpentin intérieur avec de l'azote sec (Fig. 15). Continuez de purger jusqu'à ce que le brasage soit complété.

13

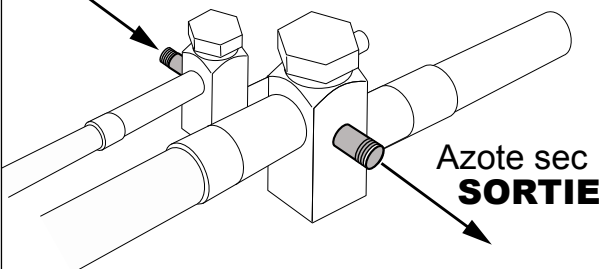


14



15

Purger avec de l'azote sec  
**ENTRÉE**



#### 4. Étapes du brasage :

- Enveloppez la valve avec un chiffon mouillé afin de prévenir les dommages causés par la chaleur, et continuez la purge à l'azote sec.
- Brasez les conduites de réfrigérant aux valves de service (Fig. 16 et Fig. 17).valves (Fig. 16 and Fig. 17).

**⚠ IMPORTANT ⚠**

**LORSQUE VOUS BRASEZ LES CONDUITES AUX VALVES DE SERVICE, ÉLOIGNER LA FLAMME DES VALVES DE SERVICE.**

**⚠ ATTENTION ⚠**

**ÉVITER DE RESPIRER LES VAPEURS OU ÉMANATIONS LORS DU BRASAGE.  
EFFECTUER CES OPÉRATIONS UNIQUEMENT DANS UN ENDROIT BIEN AÉRÉ.  
PORTER DES GANTS ET DES LUNETTES DE SÉCURITÉ OU UN MASQUE PROTÉCTEUR POUR SE PROTÉGER DES BRÛLURES.  
SE LAVER LES MAINS AVEC DU SAVON ET DE L'EAU APRÈS AVOIR MANIPULÉ DES ALLIAGES À BRASER ET DES FLUX DE SOUDAGE.**

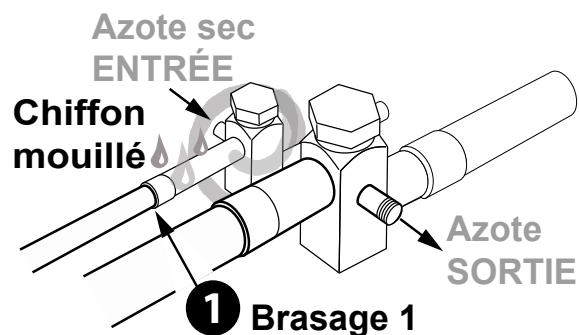
- Continuez de purger jusqu'à ce que le brasage soit complété (Fig. 17).

**⚠ IMPORTANT ⚠**

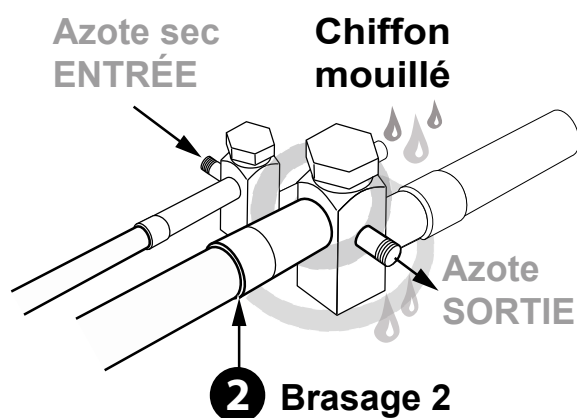
**UNE FOIS LE BRASAGE TERMINÉ, RETIRER LE CHIFFON MOUILLÉ AVANT D'ARRÊTER LA PURGE À L'AZOTE SEC.**

- Réinstallez l'intérieur des valves dans les pointes de prise de pression (Fig. 18).

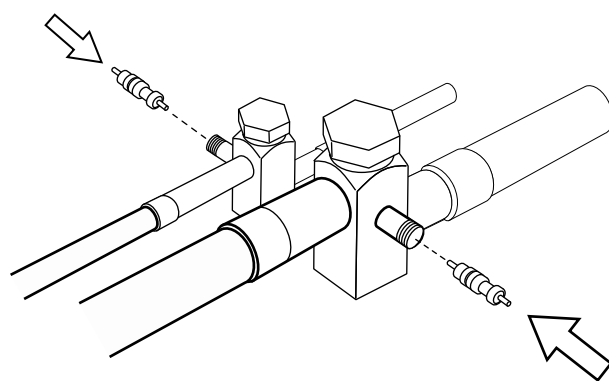
16



17



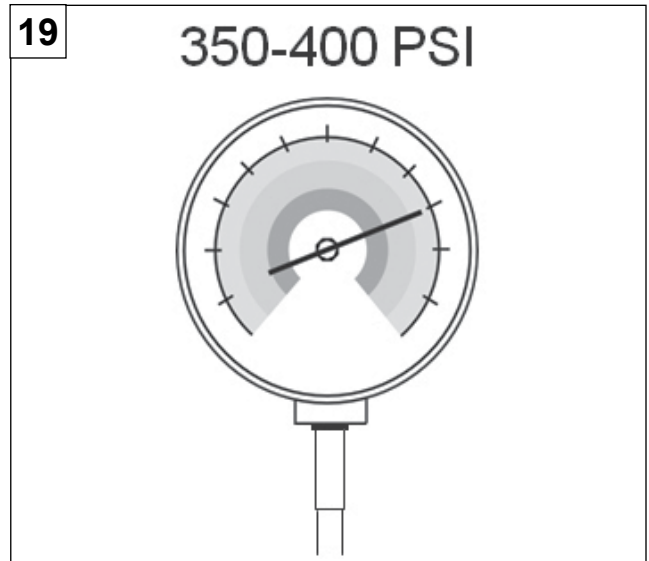
18



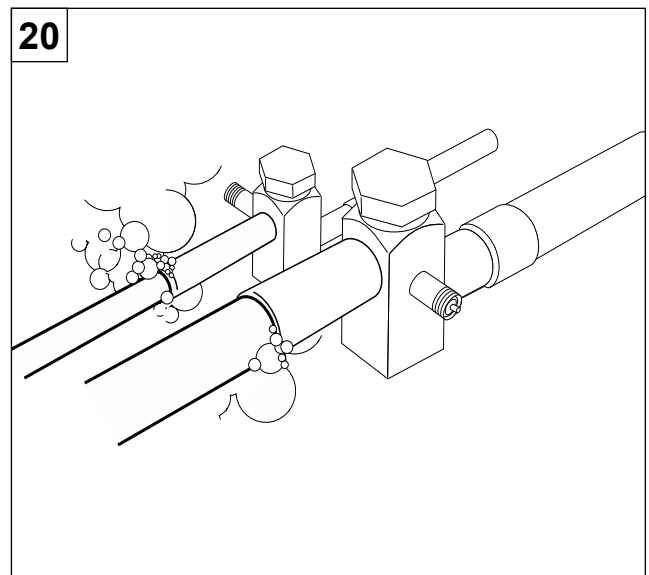
### 6.3.4 Essai d'étanchéité des conduites de réfrigérant

#### Testez pour des fuites

- Pressurisez les conduites de réfrigérant et le serpentin d'évaporateur à 350-400 lb/po<sup>2</sup> avec de l'azote sec (Fig. 19). La pression de l'azote doit être maintenue pendant quelques minutes.

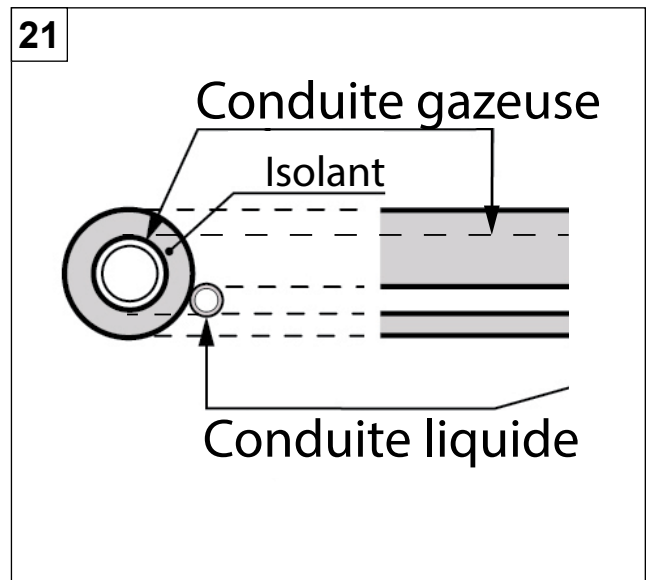


- Si une baisse de pression est observée, ceci est une indication de fuite(s).
- Vérifiez pour des fuites en appliquant une solution d'eau savonneuse sur chaque joint brasé (Fig. 20).



### 6.3.5 Isolation des conduites de réfrigérant

- La conduite gazeuse doit être isolée en tout temps (Fig. 21).
- NE laissez PAS la conduite liquide et la conduite gazeuse entrer en contact direct (métal à métal).



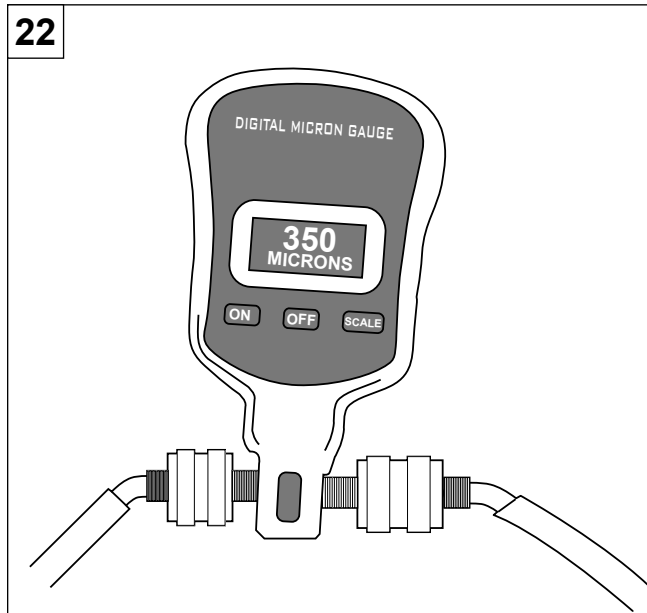
## 7. ÉVACUATION

### 7.1 ÉVACUATION DES CONDUITES DE RÉFRIGÉRANT ET DU SERPENTIN INTÉRIEUR

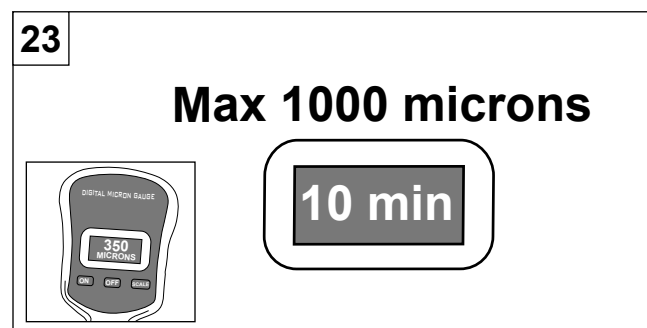
#### ⚠ AVERTISSEMENT ⚠

**NE PAS OUVRIR LES VALVES DE SERVICE JUSQU'À CE QUE L'ESSAI D'ÉTANCHÉITÉ ET L'ÉVACUATION DES CONDUITES DE RÉFRIGÉRANT ET DU SERPENTIN INTÉRIEUR SOIENT COMPLÉTÉS. DU RÉFRIGÉRANT QUI FUIT PEUT CAUSER DES BRÛLURES, DE LÉGÈRES À GRAVES.**

- Branchez une pompe à vide afin d'évacuer la conduite de réfrigérant et le serpentín intérieur.
- Évacuez jusqu'à ce que le microvacuomètre affiche une lecture de 350 microns ou moins (Fig. 22), puis FERMEZ la soupape de la pompe à vide.



- Observez le microvacuomètre. L'évacuation est complétée si le microvacuomètre ne s'élève pas au-dessus de 500 microns en une minute et pas plus de 1000 microns en 10 minutes (Fig. 23).
- Lorsque la pression à vide s'élève au-delà de 1000 microns et se maintient sous 2000 microns, cela indique la présence d'humidité, et/ou de gaz non condensable, ou d'une petite fuite. Si la pression à vide demeure continuellement à 2000 microns ou s'élève, cela indique la présence d'une fuite.
- Si la fuite est décelée, effectuez les réparations nécessaires, puis répétez la procédure d'évacuation.
- Une fois l'évacuation complétée, fermez les soupapes sur la jauge du collecteur, éteignez puis débranchez la pompe à vide.



## 8. VALVES DE SERVICE

### 8.1 OUVERTURE DES VALVES DE SERVICE

#### ⚠ AVERTISSEMENT ⚠

IL FAUT ÊTRE EXTRÊMEMENT PRUDENT LORSQU'ON OUVRE LA VALVE DE SERVICE DE LA CONDUITE LIQUIDE. TOURNEZ DANS LE SENS ANTIHORAIRE JUSQU'À CE QUE LA TIGE DE LA VALVE EFFLEURE LE BORD ROULÉ. AUCUN COUPLE DE SERRAGE N'EST REQUIS. NE PAS RESPECTER CET AVERTISSEMENT PROVOQUERA UN RELÂCHEMENT BRUSQUE DE LA CHARGE DU SYSTÈME POUVANT CAUSER DES BLESSURES CORPORELLES ET/OU DES DOMMAGES MATÉRIELS.

#### ⚠ IMPORTANT ⚠

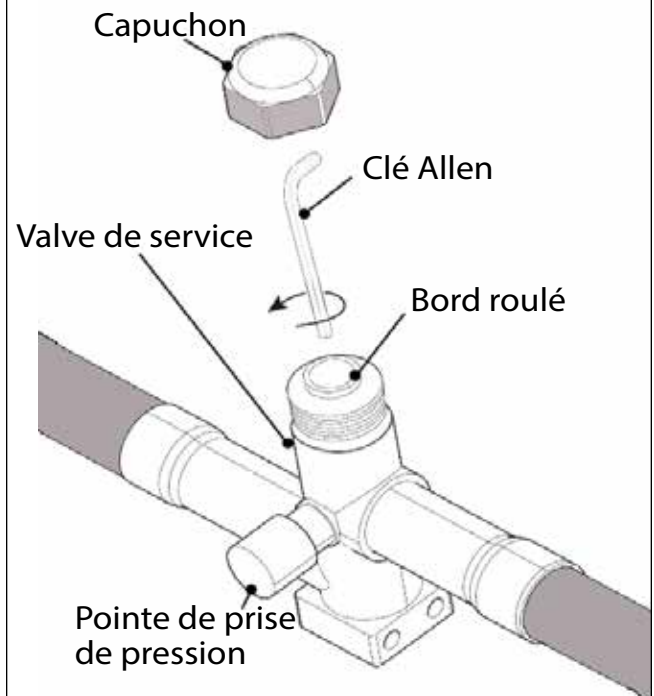
L'ESSAI D'ÉTANCHÉITÉ ET L'ÉVACUATION DOIVENT ÊTRE COMPLÉTÉS AVANT D'OUVRIR LES VALVES DE SERVICE.

#### ⚠ ATTENTION ⚠

LA VALVE DE SERVICE DE LA CONDUITE GAZEUSE DOIT ÊTRE OUVERT D'ABORD, AVANT CELLE DE LA CONDUITE LIQUIDE.

1. Retirez le capuchon de la valve de service de la conduite gazeuse (Fig. 24).
2. Insérez la clé Allen complètement dans la tige, puis tournez dans le sens antihoraire jusqu'à ce que la tige de la valve effleure le bord roulé.
3. Remettez le capuchon de la valve de service. Serrez le capuchon avec les doigts, plus 1/6 de tour additionnel.
4. Répétez les ÉTAPES 1-3 pour la valve de service de la conduite liquide.

24





## 9. CONSIGNES ÉLECTRIQUES

### ⚠️ AVERTISSEMENT ⚠️

**POUR TOUS LES BRANCHEMENTS ÉLECTRIQUES, UTILISER UNIQUEMENT DES CONDUCTEURS EN CUIVRE CONFORMES AUX CODES LOCAUX, NATIONAUX, D'INCENDIE, DE SÉCURITÉ ET D'ÉLECTRICITÉ. CETTE UNITÉ DOIT ÊTRE MISE À LA TERRE EN UTILISANT UN FIL DE MISE À LA TERRE SÉPARÉ CONFORMÉMENT AUX CODES MENTIONNÉS CI-DESSUS.**

Assurez-vous que l'alimentation électrique satisfait aux exigences indiquées sur la plaque d'homologation de l'unité et de l'étiquette du câblage. Le câblage d'alimentation, les sectionneurs, le câblage des commandes (basse tension) et le protecteur de surintensité doivent être fournis par l'installateur. Le calibre du câblage doit être conforme aux exigences des codes de l'électricité locaux et nationaux.

### 9.1 HAUTE TENSION

#### ⚠️ AVERTISSEMENT ⚠️

**PENDANT L'INSTALLATION, LA VÉRIFICATION, L'ENTRETIEN ET LA RÉOLUTION DE PROBLÈMES, IL SERA PEUT-ÊTRE NÉCESSAIRE DE TRAVAILLER AVEC DES COMPOSANTES ÉLECTRIQUES. IL Y A UN RISQUE DE CHOC ÉLECTRIQUE QUI PEUT CAUSER DES BLESSURES OU LA MORT. COUPER L'ALIMENTATION ÉLECTRIQUE AVANT DE PROCÉDER À L'ENTRETIEN.**

#### ⚠️ AVERTISSEMENT ⚠️

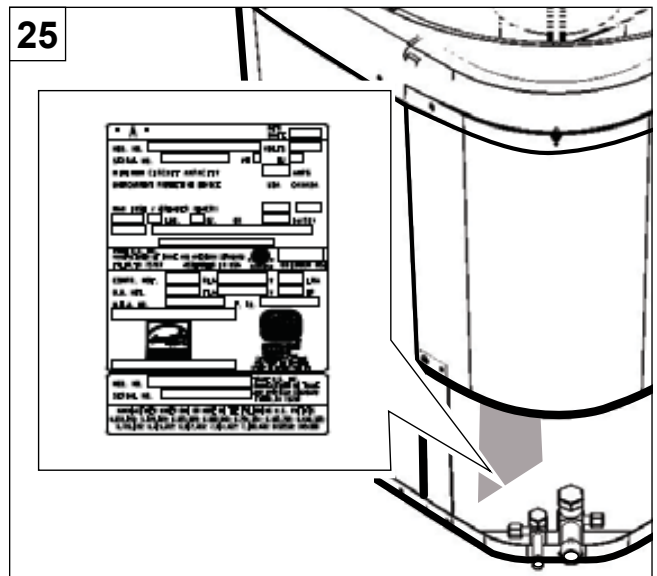
**COUPEZ L'ALIMENTATION ÉLECTRIQUE À LA BOÎTE DE FUSIBLES OU AU PANNEAU DE SERVICE AVANT D'EFFECTUER DES BRANCHEMENTS ÉLECTRIQUES. NE PAS RESPECTER CES DIRECTIVES POURRAIT OCCASIONNER UN CHOC ÉLECTRIQUE, CAUSANT DES BLESSURES CORPORELLES OU LA MORT.**

- LE CABINET DU CLIMATISEUR DOIT AVOIR UNE MISE À LA TERRE PERMANENTE.
- UNE BORNE DE MISE À LA TERRE EST FOURNIE DANS LA BOÎTE DE JONCTION.
- N'UTILISEZ PAS UNE CONDUITE DE RÉFRIGÉRANT COMME MISE À LA TERRE.

**UN CLIMATISEUR INADÉQUATEMENT MIS À LA TERRE POURRAIT OCCASIONNER UN CHOC ÉLECTRIQUE, CAUSANT DES BLESSURES CORPORELLES OU LA MORT.**

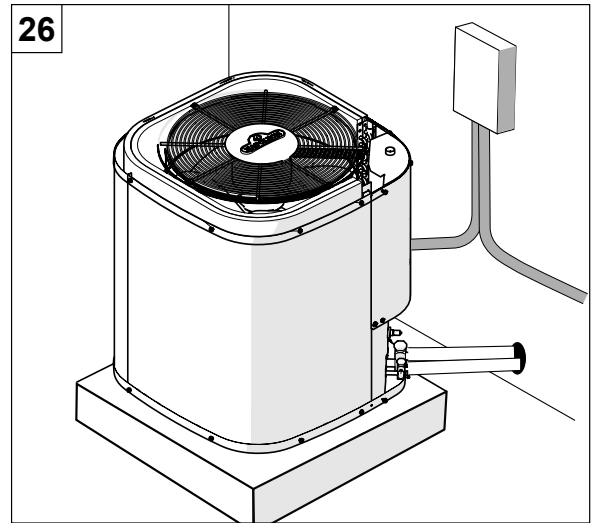
#### 9.1.1 Alimentation électrique à haute tension

- L'alimentation à haute tension doit correspondre à celle indiquée sur la plaque d'homologation de l'appareil, située sur le panneau de service (fig. 25).
- Le câblage électrique doit être conforme aux codes nationaux, d'état et locaux. Le schéma de câblage est situé à l'arrière du panneau électrique.



### 9.1.2 Sectionneur haute tension

- Installez un sectionneur séparé, à l'emplacement de l'unité extérieure (Fig. 26).

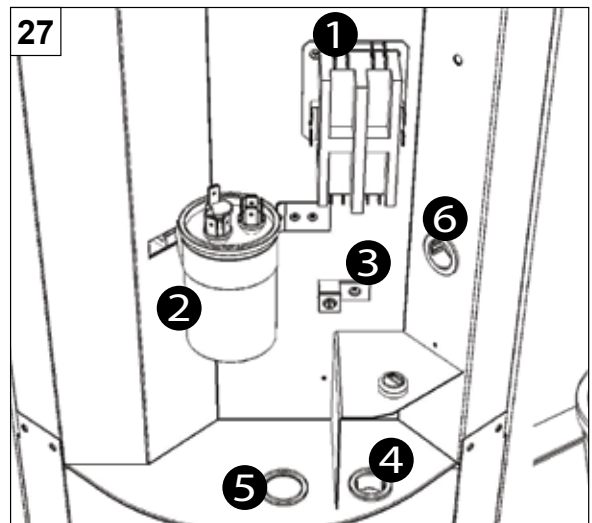


### 9.1.3 Mise à la terre haute tension

Mettez l'unité extérieure à la terre conformément aux exigences des codes nationaux, provinciaux et locaux (Fig. 27).

#### Composantes :

1. Contacteur
2. Condensateur de marche double
3. Borne de mise à la terre
4. Ouverture pour le câblage du thermostat
5. Ouverture pour le câblage d'alimentation électrique à haute tension
6. Ouverture pour le câblage du compresseur et de l'interrupteur de haute pression



### 9.1.4 Thermostat

- Un thermostat (acheté séparément) devrait être installé à peu près au centre de la zone climatisée sur un mur INTÉRIEUR, à une hauteur de 5 pieds (1,5 m) du plancher.
- N'installez PAS le thermostat sur un mur donnant sur l'extérieur ou à un endroit où il risque d'être exposé à la lumière du soleil ou aux courants d'air.

#### Bons emplacements pour un thermostat :

- dans une salle de séjour ou une salle à manger,
- à un endroit où il y a une circulation d'air naturelle (non pas un espace sans circulation d'air), qui n'est pas exposé à de forts courants d'air provenant de fenêtres, de portes ou de sources de chauffage ou de climatisation.

#### Mauvais emplacements pour un thermostat :

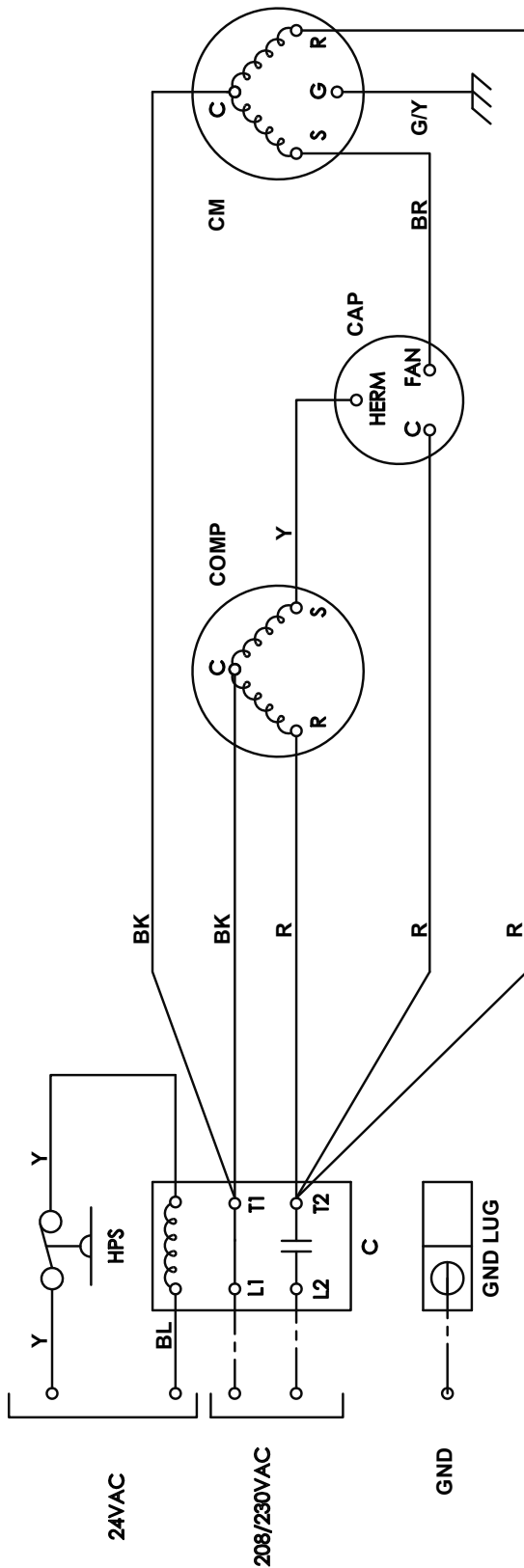
- sur un mur donnant sur l'extérieur (exposé aux effets de la température extérieurs) où les courants d'air provenant d'une porte extérieure affecteront la prise de température,
- au-dessus ou au même niveau que le flux d'air provenant d'un registre d'air de chauffage ou de climatisation,
- à la lumière directe du soleil,
- dans une cuisine, une salle de bain, un couloir d'entrée, ou sur un mur qui est partagé par une zone chaude comme une cuisine ou une salle de chauffage,
- dans une alcôve, derrière une porte ouverte, derrière des meubles ou près de la tuyauterie ou des conduits d'air dissimulés,
- Ne placez pas des dispositifs de transmission de chaleur, comme des lampes ou de petits appareils à proximité du thermostat. Leur chaleur pourrait nuire à son fonctionnement.

### ⚠ CAUTION ⚠

ASSUREZ-VOUS QUE LE SYSTÈME DISPOSE D'UN MINIMUM DE 5 MINUTES D'ARRÊT ENTRE LES DÉMARRAGES. UN CYCLE COURT DU SYSTÈME PEUT ENTRAÎNER UNE DÉFAILLANCE DU SYSTÈME. REPORTEZ-VOUS AU MANUEL DE VOTRE THERMOSTAT POUR CONFIGURER LE DÉLAI DE DÉMARRAGE. S'IL N'EST PAS DISPONIBLE, UN KIT ANTI-CYCLE COURT (W370-0249) EST DISPONIBLE (ACHETÉ SÉPARÉMENT).

9.1.5 Schéma de câblage

WIRING DIAGRAM / SCHÉMA DE CÂBLAGE



LEGEND / LÉGENDE

--- HIGH VOLTAGE FIELD WIRING /  
FIL HAUTE TENSION

COLOUR CODE / CODE DE COULEUR

BK - BLACK / NOIR  
BL - BLUE / BLEU  
BR - BROWN / BRUN  
G - GREEN / VERT  
R - RED / ROUGE  
Y - YELLOW / JAUNE

COMPONENT NAME / NOM DES COMPOSANTS

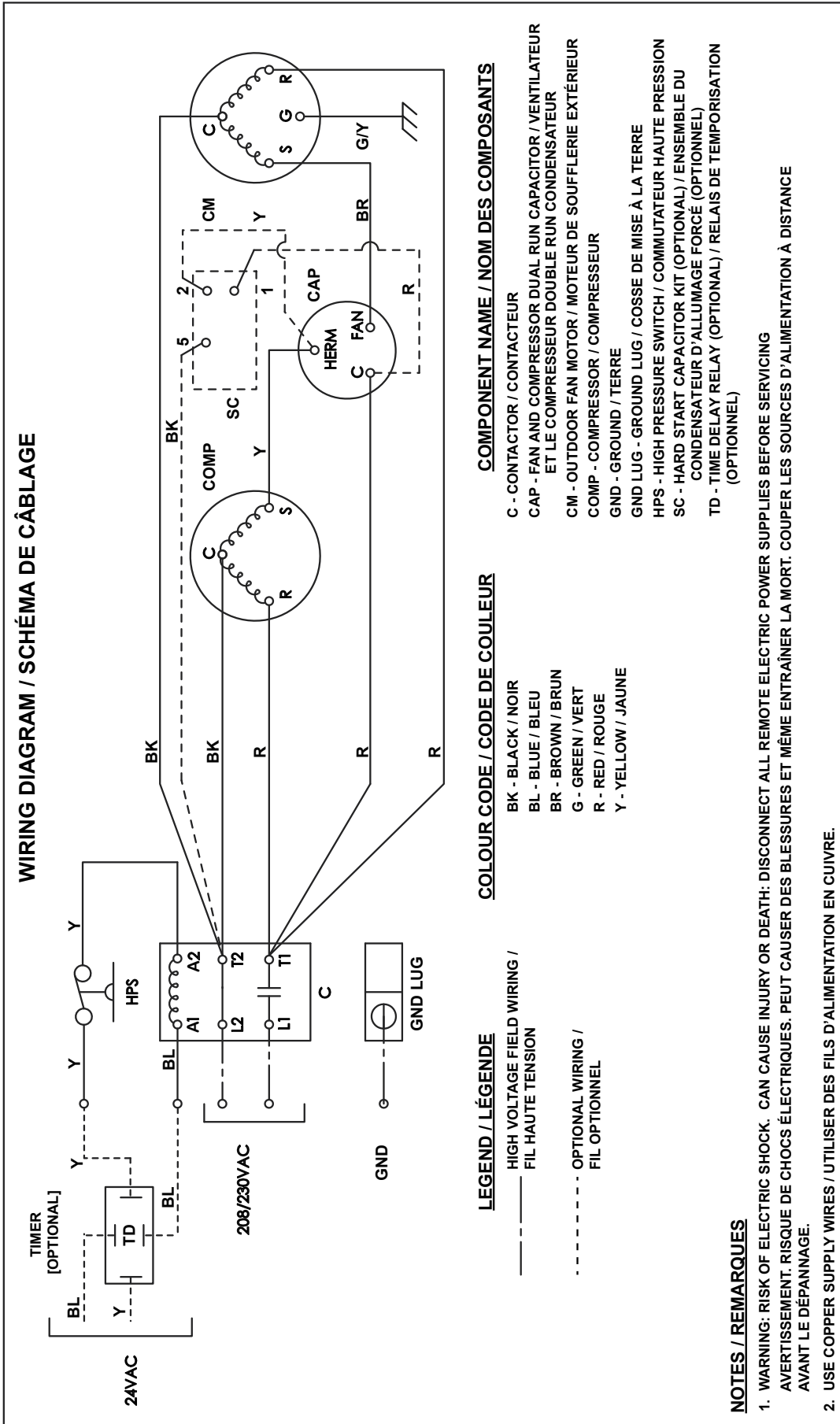
C - CONTACTOR / CONTACTEUR  
CAP - FAN AND COMPRESSOR DUAL RUN CAPACITOR / VENTILATEUR  
ET LE COMPRESSEUR DOUBLE RUN CONDENSATEUR  
CM - OUTDOOR FAN MOTOR / MOTEUR DE SOUFFLERIE EXTÉRIEUR  
COMP - COMPRESSOR / COMPRESSEUR  
GND - GROUND / TERRE  
GND LUG - GROUND LUG / COSSE DE MISE À LA TERRE  
HPS - HIGH PRESSURE SWITCH / COMMUTATEUR HAUTE PRESSION

NOTES / REMARQUES

1. WARNING: RISK OF ELECTRIC SHOCK. CAN CAUSE INJURY OR DEATH: DISCONNECT ALL REMOTE ELECTRIC POWER SUPPLIES BEFORE SERVICING.  
AVERTISSEMENT: RISQUE DE CHOCS ÉLECTRIQUES. PEUT CAUSER DES BLESSURES ET MÊME ENTRÂNER LA MORT. COUPER LES SOURCES D'ALIMENTATION À DISTANCE AVANT LE DÉPANNAGE.
2. USE COPPER SUPPLY WIRES / UTILISER DES FILS D'ALIMENTATION EN CUIVRE.

W385-0813/B

9.1.6 Schéma de câblage du condensateur « hard start »



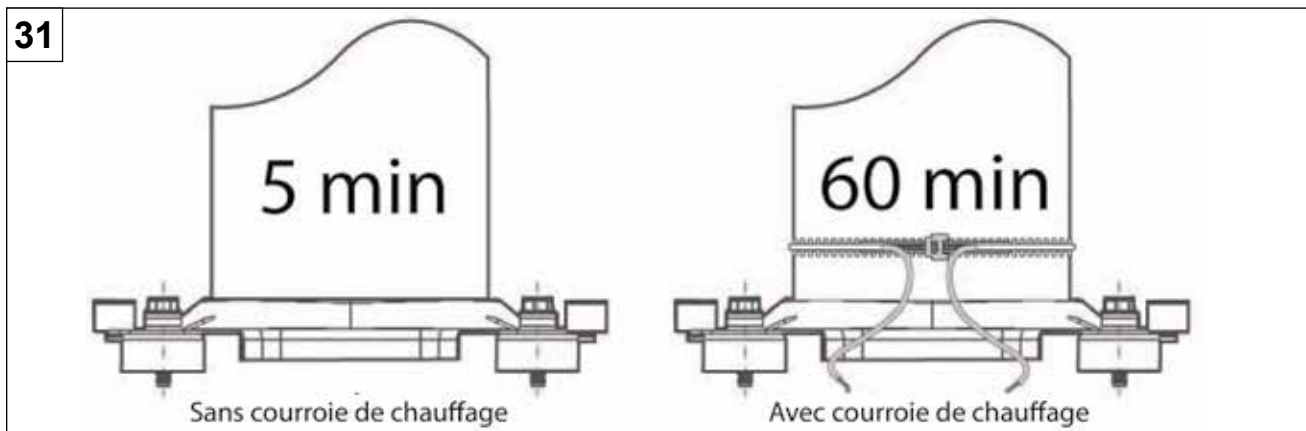
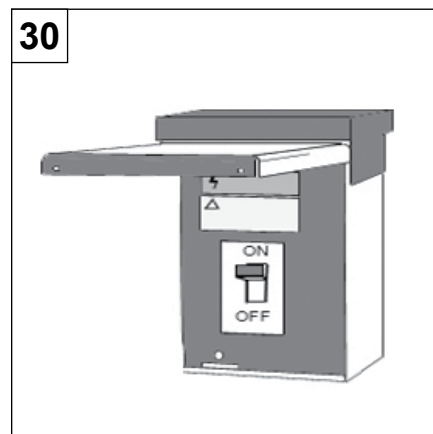
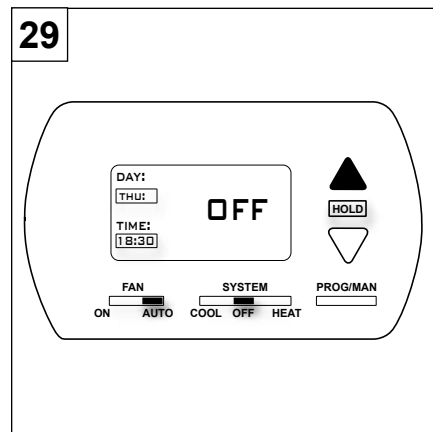
## 10. MISE EN MARCHÉ

### Effectuez les étapes suivantes :

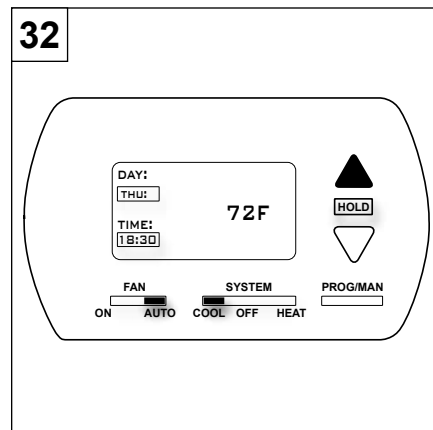
1. Mettez le thermostat à la position « OFF » (Fig. 29).
2. Mettez le sectionneur à la position « ON » (FIG. 30) afin de mettre les unités intérieures et extérieures sous tension.

### Attendre :

3. Si une courroie de chauffage n'est pas utilisée, attendez cinq (5) minutes et passez à l'étape 5.
4. Si une courroie de chauffage est utilisée et que la température extérieure est inférieure à 70 °F, attendez une (1) heure avant d'allumer l'unité. Consultez la Figure 31.



5. Mettez le thermostat en marche (Fig. 32).



## 11. AJUSTEMENT DE LA CHARGE DU SYSTÈME

### ⚠ AVERTISSEMENT ⚠

LE REMPLISSAGE DE RÉFRIGÉRANT DOIT ÊTRE EFFECTUÉ PAR UN ENTREPRENEUR QUALIFIÉ SEULEMENT. UNE CHARGE INADÉQUATE PEUT RÉDUIRE LES CAPACITÉS DU SYSTÈME ET CAUSER DES DOMMAGES À L'ÉQUIPEMENT.

### 11.1 CHARGE TOTALE DU SYSTÈME

#### ⚠ AVERTISSEMENT ⚠

NE PAS LAISSER LE SYSTÈME OUVERT À L'ATMOSPHÈRE. NE PAS TENTER DE POMPER LA CHARGE TOTALE DU SYSTÈME DANS L'UNITÉ EXTÉRIEURE LORS DE L'ENTRETIEN, DU SERVICE, ETC. CECI PEUT ENDOMMAGER LE COMPRESSEUR ET D'AUTRES COMPOSANTES. L'UNITÉ EXTÉRIEURE N'A SUFFISAMMENT D'ESPACE QUE POUR LE "REMPLISSAGE EN USINE", ET NON PAS POUR LA "CHARGE TOTALE DU SYSTÈME". LORS D'UNE RÉPARATION, D'UN SERVICE, D'UN ENTRETIEN OU DE LA MISE AU REBUT DE CETTE UNITÉ, IL EST ILLÉGAL DE SCIEMMENT ÉVACUER, RELÂCHER OU DÉCHARGER DU RÉFRIGÉRANT DANS L'AIR AMBIANT.

Tous les systèmes de climatisation sont préchargés avec assez de liquide réfrigérant (R410A) pour un serpentin d'évaporateur intérieur approprié. Pour un raccordement installé sur place, une mesure corrective de 0,6 oz par pied de raccordement doit être appliquée au R410A pour une conduite d'aspiration d'un diamètre de 3/4 po et une mesure corrective de 0,7 oz par pied de raccordement doit être appliquée au R410A pour une conduite d'aspiration d'un diamètre de 7/8 po. Le diamètre de la conduite de liquide doit être de 3/8 po. Il n'est pas recommandé d'utiliser des serpentins d'évaporateur qui n'ont pas été approuvés par le fabricant comme étant appropriés. Consulter le répertoire de l'AHRI pour trouver le serpentin d'évaporateur approprié à votre système. La charge nominale doit être ajustée conformément à la section 11.2 ou 11.3, selon l'application.

### REMARQUE

Afin d'obtenir un système efficace selon les critères de performance de l'AHRI, les unités munies de détendeurs thermostatiques ou de pistons contrôleurs de débit doivent être installées à la verticale, avec la conduite de réfrigérant liquide s'écoulant vers le bas ou vers le haut pour alimenter le serpentin d'évaporateur intérieur. L'emplacement des tubes capillaires et du détendeur thermostatique peut être ajusté afin d'assurer que le débit de réfrigérant à travers les deux côtés du serpentin soit égal. Si la différence de température entre les deux côtés du serpentin n'est pas supérieure à 10 °F, cela indique que le débit de réfrigérant à travers chaque côté est égal.

### 11.2 RÉGLAGE DE LA CHARGE NOMINALE POUR LES SYSTÈMES À DÉTENDEURS THERMOSTATIQUES

#### Procédure :

1. Raccordez le tuyau de chargement à l'orifice de la bouteille de liquide réfrigérant et à l'orifice de chargement du manomètre du collecteur.
2. Ouvrez la bouteille de liquide réfrigérant et purgez le tuyau.
3. Raccordez l'extrémité inférieure du manomètre du collecteur à l'orifice de pression sur la soupape de service de la conduite de vapeur.
4. Raccordez l'extrémité supérieure du manomètre du collecteur à l'orifice de pression sur la soupape de service de la conduite de liquide.
5. Installez provisoirement un instrument de mesure de la température sur la conduite de liquide, à proximité de la soupape de service de la conduite de liquide, et un autre sur la conduite de vapeur, à proximité de la soupape de service de la conduite de vapeur. Assurez-vous que les instruments de mesure de la température sont adéquatement isolés et en contact avec les conduites afin qu'ils prennent une mesure exacte de la température.
6. Faites fonctionner le système pendant au moins 10 minutes.
7. Vérifiez le sous-refroidissement et la surchauffe. Les systèmes à détendeurs thermostatiques doivent fonctionner avec des valeurs de sous-refroidissement comprises entre 7 °F ( 14 °C) et 9 °F ( 13 °C) et des valeurs de surchauffe comprises entre 7 °F ( 14 °C) et 9 °F ( 13 °C).

#### ⚠ ATTENTION ⚠

POUR ÉVITER TOUTE BLESSURE CORPORELLE, RACCORDEZ ET RETIREZ LES TUYAUX DU MANOMÈTRE DU COLLECTEUR AVEC PRÉCAUTION. UNE FUITE DE FRIGORIGÈNE LIQUIDE PEUT CAUSER DES BRÛLURES. NE REJETEZ PAS DE FRIGORIGÈNE DANS L'AIR. RÉCUPÉREZ TOUT FLUIDE FRIGORIGÈNE PENDANT LA RÉPARATION DU SYSTÈME ET AVANT LA MISE AU REBUT DÉFINITIVE DE L'APPAREIL.

H3.96\_FR

**Vérifiez sur la plaque d'homologation la valeur de sous-refroidissement spécifique à l'unité :**

- Si la valeur du sous-refroidissement est faible et la valeur de la surchauffe normale, ajoutez de la charge pour augmenter la valeur du sous-refroidissement de manière à ce qu'elle soit comprise entre 7 °F ( 14 °C) et 9 °F ( 13 °C).
- Si la valeur du sous-refroidissement est faible et la valeur de la surchauffe élevée, ajoutez de la charge pour augmenter la valeur du sous-refroidissement de manière à ce qu'elle soit comprise entre 7 °F ( 14 °C) et 9 °F ( 13 °C) et ajustez le détendeur thermostatique au besoin.
- Si les valeurs du sous-refroidissement et de la surchauffe sont faibles, ajustez le détendeur thermostatique de manière à ce que la valeur de la surchauffe soit comprise entre 7 °F ( 14 °C) et 9 °F ( 13 °C) et ajoutez ou retirez de la charge au besoin.
- Si la valeur du sous-refroidissement est normale et la valeur de la surchauffe faible, ajustez le détendeur thermostatique pour augmenter la valeur de la surchauffe de manière à ce qu'elle soit comprise entre 7 °F ( 14 °C) et 9 °F ( 13 °C) et retirez de la charge au besoin.
- Si la valeur du sous-refroidissement est normale et la valeur de la surchauffe élevée, ajustez le détendeur thermostatique pour baisser la valeur de la surchauffe de manière à ce qu'elle soit comprise entre 7 °F ( 14 °C) et 9 °F ( 13 °C) et ajoutez de la charge au besoin.
- Si la valeur du sous-refroidissement est élevée et la valeur de la surchauffe normale, retirez de la charge pour baisser la valeur du sous-refroidissement de manière à ce qu'elle soit comprise entre 7 °F ( 14 °C) et 9 °F ( 13 °C).
- Si la valeur du sous-refroidissement est élevée et la valeur de la surchauffe faible, retirez de la charge pour baisser la valeur du sous-refroidissement de manière à ce qu'elle soit comprise entre 7 °F ( 14 °C) et 9 °F ( 13 °C) et ajustez le détendeur thermostatique.
- Si les valeurs du sous-refroidissement et de la surchauffe sont élevées, ajustez le détendeur thermostatique pour baisser la valeur de la surchauffe de manière à ce qu'elle soit comprise entre 7 °F ( 14 °C) et 9 °F ( 13 °C) et retirez ou ajoutez de la charge au besoin.

**11.3 AJUSTEMENT DE LA CHARGE DU SYSTÈME POUR LES SYSTÈMES UTILISANT DES ORIFICES FIXES****Procédure :**

- Suivez les étapes 1-4 de la section 10.2.
- Vérifiez la chaleur de surchauffe. La chaleur de surchauffe devrait être réglée selon le TABLEAU 3. Un trait indique qu'un chargement à cette condition ne devrait pas être tenté. Un coup de liquide pourrait survenir, causant des dommages au compresseur.

Température extérieure DB (°F)	R-410A															
	Tableau de chargement															
	Température d'aspiration de l'évaporateur - Fahrenheit (°F)															
	11	12	12	12	13	13	13	14	14	14	15	15	15	15	16	
7	0	3	6	9	2	5	8	1	4	7	0	3	6	9	2	
Température d'aspiration de l'évaporateur - Fahrenheit (°F)																
65	65	70	-	-	-	-	-	-	-	-	-	-	-	-	-	-
70	58	63	68	-	-	-	-	-	-	-	-	-	-	-	-	-
75	51	56	61	66	70	-	-	-	-	-	-	-	-	-	-	-
80	-	50	54	59	63	68	72	-	-	-	-	-	-	-	-	-
85	-	-	-	53	58	62	66	71	-	-	-	-	-	-	-	-
90	-	-	-	-	51	56	60	64	68	72	-	-	-	-	-	-
95	-	-	-	-	-	51	55	59	62	66	70	-	-	-	-	-
100	-	-	-	-	-	-	51	55	58	62	65	69	-	-	-	-
105	-	-	-	-	-	-	-	-	56	59	62	65	68	-	-	-
110	-	-	-	-	-	-	-	-	-	56	59	62	65	67	-	-
115	-	-	-	-	-	-	-	-	-	-	58	60	62	64	66	68
120	-	-	-	-	-	-	-	-	-	-	-	61	63	64	66	
125	-	-	-	-	-	-	-	-	-	-	-	-	62	63	64	

TABLEAU 3.

**11.4 ENREGISTREMENT DES INFORMATIONS DU SYSTÈME**

Enregistrez les pressions et les températures du système une fois le chargement complété. La charge totale du système doit être inscrite sur la plaque d'homologation du condenseur.

Numéro de modèle =	_____
Numéro de série =	_____
Température ambiante =	_____ °F
Température de l'air de sortie extérieur =	_____ °F
Air intérieur PCM =	_____
Température intérieure =	_____ °F DB _____ °F WB
Température de l'air de sortie intérieur =	_____ °F DB _____ °F WB
Température de la conduite de liquide =	_____ °F
Température de la conduite d'aspiration =	_____ °F
Pression manométrique du liquide =	_____ PSIG
Pression manométrique d'aspiration =	_____ PSIG
Charge totale du système =	_____ OZ

## 12. PROCÉDURES DE VÉRIFICATION

Les étapes finales de cette installation traitent des procédures de fonctionnement et de vérification. Afin d'obtenir une performance adéquate, toutes les unités doivent être mises à l'essai, et le réglage de la charge du système complété.

### 12.1 INSTRUCTIONS À DONNER AU PROPRIÉTAIRE

- Aidez le propriétaire à compléter les cartes de garantie et l'enregistrement en ligne.
- Passez en revue le guide du propriétaire, laissez une copie avec le client, et donnez des directives sur le bon fonctionnement et l'entretien de l'unité. Expliquez au propriétaire ou à l'opérateur comment démarrer, arrêter et ajuster les réglages de température.
- Expliquez au propriétaire le fonctionnement et l'entretien de toutes les autres composantes du système.

### ⚠ IMPORTANT ⚠

**EFFECTUEZ UNE DERNIÈRE INSPECTION AFIN DE VOUS ASSURER QUE LA TUYAUTERIE NE S'EST PAS DÉPLACÉE LORS DE L'EXPÉDITION. AJUSTEZ LA TUYAUTERIE AU BESOIN, DE MANIÈRE À CE QUE LES TUBES NE FROTTENT PAS L'UN CONTRE L'AUTRE LORSQUÉ L'UNITÉ EST EN MARCHÉ. ASSUREZ-VOUS AUSSI QUE LES RACCORDS DE CÂBLAGE SOIENT SERRÉS ET QUE L'ACHEMINEMENT DES CÂBLES EST SÉCURITAIRE.**

### 12.2 PROCÉDURE DE VÉRIFICATION

#### Procédure :

1. Vérifiez que l'unité ne soit pas endommagée ..... [ ]
2. Vérifiez l'étanchéité des conduites de réfrigérant ..... [ ]
3. Isolez bien la conduite d'aspiration ..... [ ]
4. Assurez-vous que les conduites soient conçues pour du réfrigérant R410A..... [ ]
5. Fixez et isolez bien toutes les conduites de réfrigérant..... [ ]
6. Scellez les passages à travers la maçonnerie..... [ ]
7. Vérifiez si les tous les branchements électriques sont serrés..... [ ]
8. Vérifiez si le condenseur n'est pas obstrué par des corps étrangers..... [ ]
9. Vérifiez le dégagement et le bon fonctionnement du ventilateur extérieur lorsqu'il est en marche..... [ ]
10. La conduite de drainage du serpentin intérieur s'écoule librement..... [ ]
11. Les registres d'alimentation en air et les grilles de retour d'air sont ouverts et ne sont pas obstrués..... [ ]
12. Le filtre pour le retour d'air est installé..... [ ]
13. Le réglage du débit d'air pour le moteur de la soufflerie intérieure est adéquat..... [ ]
14. Faites fonctionner le système dans chacun des modes afin d'assurer un fonctionnement sécuritaire ..... [ ]
15. Informations sur le système a été enregistrée..... [ ]
16. Expliquez au propriétaire le fonctionnement de l'unité et remplissez les cartes de garantie..... [ ]

### REMARQUE

**L'INSTALLATEUR DEVRAIT INCLURE LA FICHE TECHNIQUE ET LES INSTRUCTIONS D'INSTALLATION DANS LE SAC DU MANUEL ET LE REMETTRE AU PROPRIÉTAIRE UNE FOIS L'INSTALLATION COMPLÉTÉE.**

### 12.3 PROCÉDURE DE VÉRIFICATION DU SYSTÈME EN FONCTION

#### Procédure :

1. With thermostat set to the OFF position, close disconnect switch or switches to complete circuits to Mettez le thermostat à la position « OFF », fermez le sectionneur ou les interrupteurs de tous les circuits pour le condenseur et la fournaise. Réglez le thermostat pour un appel de refroidissement.
2. Une fois que le système est démarré, vérifiez la tension et l'intensité du courant au contacteur du condenseur.
3. Si la tension n'est pas à moins de 10 % de la tension nominale, contactez votre fournisseur d'électricité local pour effectuer les correctifs – ceci pourrait diminuer la performance.
4. Si l'intensité du courant dépasse grandement l'intensité sur la plaque d'homologation, éteignez le système et contactez le détaillant.
5. Pendant que le système est en marche, vérifiez le condenseur pour des bruits et des vibrations inhabituels.
6. Laissez le système fonctionner jusqu'à ce qu'il se stabilise (environ 20 minutes) avant d'effectuer d'autres vérifications.
7. Assurez-vous que tout le liquide réfrigérant présent dans les tuyaux est retourné au système avant de retirer les tuyaux du manomètre du collecteur.
8. Retirez les boyaux de la jauge du collecteur, puis installez les capuchons sur les valves de service.



## 13. GUIDE DE DÉPANNAGE DU CLIMATISEUR

TABLEAU 4.

GUIDE DE DÉPANNAGE DU CLIMATISEUR		
AVERTISSEMENT!	CE GUIDE DE DÉPANNAGE EST DESTINÉ AUX TECHNICIENS QUALIFIÉS SEULEMENT!	
SYMPTÔME	CAUSE POSSIBLE	MESURE CORRECTIVE
<b>L'unité ne fonctionne pas.</b>	L'alimentation électrique est débranchée ou mal branchée.	Vérifiez l'alimentation électrique de l'appareil. Vérifiez la tension du contacteur.
	Le fusible est sauté ou le disjoncteur est déclenché.	Remplacez le fusible ou réinitialisez le disjoncteur.
	Le thermostat est mal réglé ou réglé à une température trop élevée.	Réinitialisez le thermostat.
	Le contacteur est défectueux.	Vérifiez s'il y a une tension de 24 V c.a. à la bobine du contacteur. Remplacez le contacteur s'il est ouvert.
	Le transformateur est défectueux.	Vérifiez le câblage – remplacez le transformateur.
	L'interrupteur haute pression est ouvert (si fourni).	Réinitialisez – vérifiez le branchement de l'interrupteur haute pression.
<b>Le ventilateur extérieur est en marche; le compresseur est arrêté.</b>	Le condensateur de démarrage ou de fonctionnement est défectueux.	Remplacer.
	Le relais de démarrage est défectueux.	Remplacer.
	Un fil est desserré.	Vérifiez que la tension du compresseur est adéquate – vérifiez et resserrez toutes les connexions.
	Le compresseur est bloqué, l'enroulement du moteur est ouvert ou mis à la terre, la surcharge interne est ouverte.	Attendez au moins deux heures pour la réinitialisation de la surcharge. Si la surcharge est toujours ouverte, remplacez le compresseur.
<b>La climatisation est insuffisante.</b>	La tension est trop basse.	Ajoutez des composants à l'ensemble de démarrage.
	La capacité de l'unité est insuffisante	Recalculez la capacité requise.
	Le débit d'air à l'intérieur est inadéquat.	Vérifiez-le. Il devrait être d'environ 400 pi <sup>3</sup> /min par tonne.
	La charge du réfrigérant est inadéquate.	Rétablissez la charge conformément à la procédure présentée dans le manuel d'installation.
	Il y a présence d'air, de gaz non condensable ou d'humidité dans le système.	Récupérez le réfrigérant.
<b>Le compresseur effectue des cycles courts.</b>	La tension est inadéquate.	Aux bornes du compresseur, lorsque l'unité fonctionne, la tension doit dépasser de 10 % l'indication apparaissant sur la plaque signalétique.
	Le dispositif de protection contre les surcharges est défectueux.	Remplacez-le – vérifiez que la tension est adéquate.
	Le réfrigérant se décharge.	Ajoutez du réfrigérant.
<b>Il y a une forte pression de refoulement et une faible pression d'aspiration.</b>	Il y a obstruction de la conduite liquide, de la vanne de détente ou du filtre sec.	Retirez ou remplacez le composant défectueux.
	Le débit d'air à l'intérieur est insuffisant.	Vérifiez et nettoyez les filtres, les registres ou les serpentins évaporateurs qui pourraient causer l'obstruction.
<b>Il y a une forte pression de refoulement et une pression normale d'aspiration.</b>	L'échangeur extérieur est sale.	Nettoyez le serpentin.
	La charge de réfrigérant est trop grande.	Corrigez la charge du système.
	Le ventilateur extérieur ne fonctionne pas.	Réparez-le ou remplacez-le.
	Il y a présence de gaz non condensable ou d'air dans le système.	Récupérez le réfrigérant, évacuez-le et rechargez le système.

TABLEAU 4. (SUITE)

<b>AVERTISSEMENT!</b>		
<b>CE GUIDE DE DÉPANNAGE EST DESTINÉ AUX TECHNICIENS QUALIFIÉS SEULEMENT!</b>		
<b>SYMPTÔME</b>	<b>CAUSE POSSIBLE</b>	<b>MESURE CORRECTIVE</b>
<b>Il y a une faible pression de refoulement et une forte pression d'aspiration.</b>	La vanne de détente est coincée en position ouverte.	Remplacez la vanne de détente.
	Les soupapes du compresseur sont défectueuses.	Remplacez le compresseur.
<b>Il y a une faible pression d'aspiration; le compresseur est froid et de la glace se forme sur le serpentin intérieur.</b>	Le débit d'air à l'intérieur est insuffisant.	Augmentez la vitesse du moteur du ventilateur ou réduisez le niveau d'obstruction – remplacez le filtre à air.
	L'unité est utilisée à une température extérieure qui est inférieure à 65 °F (18 °C).	Installez l'ensemble conçu pour basse température ambiante.
	Il y a de l'humidité dans le système.	Récupérez le réfrigérant – évacuez-le et rechargez le système – remplacez le filtre à air.
<b>Il y a une forte pression d'aspiration ou une fluctuation de la pression de refoulement et de la pression d'aspiration.</b>	La charge est trop importante.	Vérifiez à nouveau le calcul de la charge.
	Le compresseur est défectueux.	Remplacer.
	Le détendeur thermostatique fonctionne de façon instable.	Vérifiez la bride du bulbe du détendeur thermostatique – vérifiez la distribution d'air sur le serpentin – remplacez le détendeur thermostatique.
	Il y a présence de gaz non condensable ou d'air dans le système.	Récupérez le réfrigérant, évacuez-le et rechargez le système.
<b>La vanne de détente ou la conduite liquide produit un bruit de vibration.</b>	Il y a présence de gaz non condensable ou d'air dans le système.	Récupérez le réfrigérant, évacuez-le et rechargez le système.
<b>Les registres suintent.</b>	Le débit d'air à l'intérieur est insuffisant.	Augmentez la vitesse de la soufflerie ou réduisez le niveau d'obstruction – remplacez le filtre à air.

## 14. ENTRETIEN

### 14.1 INTÉRIEUR

1. Vérifiez les filtres à air et remplacez-les si nécessaire.
2. Le serpentin évaporateur doit être inspecté annuellement pour de l'obstruction.
3. Aspirez ou vaporisez les ailettes du serpentin avec de l'eau propre pour enlever la poussière et la saleté.
4. Pour l'entretien du filtre et du moteur de la soufflerie, consultez les instructions de la fournaise ou du ventilo-convecteur.
5. Le serpentin intérieur et le plateau d'écoulement doivent être inspectés et nettoyés régulièrement afin de prévenir les odeurs, la prolifération de bactéries et pour assurer un drainage adéquat.

### 14.2 EXTÉRIEUR

- Vérifiez le condenseur annuellement pour de l'obstruction et retirez tout corps étranger pouvant bloquer le condenseur.

#### ⚠ ATTENTION ⚠

**N'UTILISEZ PAS DE NETTOYANT POUR SERPENTIN POUR NETTOYER LES SERPENTINS DU CONDENSEUR. LES NETTOYANTS CONTENANT DES FLUORURES D'HYDROGÈNE, DES HYDROXYDES, DES CHLORURES ET DES SULFATES PEUVENT RÉDUIRE CONSIDÉRABLEMENT LA DURÉE DE VIE DU SERPENTIN EN ALUMINIUM DU CONDENSEUR.**

- Nettoyez le serpentin du condenseur en le vaporisant d'eau propre avec un boyau d'arrosage.
- Évitez de mouiller les contrôles électriques.
- Le moteur du ventilateur extérieur a une lubrification permanente et ne nécessite aucune lubrification périodique.

#### ⚠ ATTENTION ⚠

**ASSUREZ-VOUS QUE LE SECTIONNEUR EST À LA POSITION ARRÊT « OFF » ET QUE L'ALIMENTATION ÉLECTRIQUE DE L'UNITÉ EST FERMÉE AVANT DE NETTOYER LE SYSTÈME.**

**Si l'unité ne fonctionne pas de façon adéquate, vérifiez les points suivants:**

- La section intérieure pour un filtre sale et la section extérieure pour de l'obstruction.
- Si le compresseur s'éteint en raison d'une surcharge thermique, il est possible que vous deviez attendre que le compresseur refroidisse avant que l'unité puisse redémarrer.
- Si le réglage de température sur le thermostat est suffisamment bas pour mettre le climatiseur EN MARCHÉ et que le système ne démarre pas, contactez un technicien de service

#### ⚠ ATTENTION ⚠

**LORS D'UNE RÉPARATION, D'UN SERVICE, D'UN ENTRETIEN OU DE LA MISE AU REBUT DE CETTE UNITÉ, IL EST ILLÉGAL DE SCIEMMENT ÉVACUER, RELÂCHER OU DÉCHARGER DU RÉFRIGÉRANT DANS L'AIR AMBIANT.**



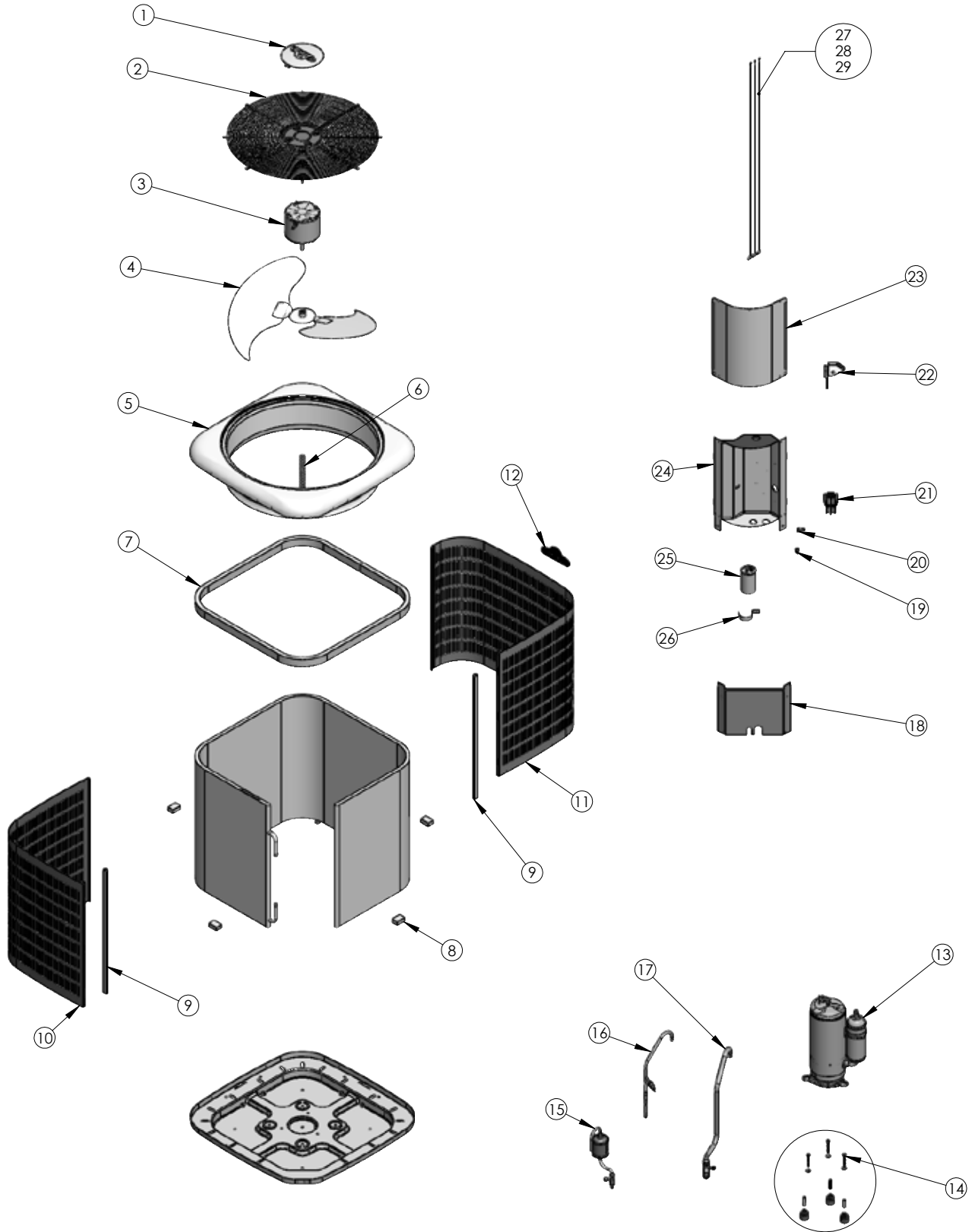
Items	Part Description	Part ID	Stocked																		
				WTACR0018RA1	WTACR0024RA1	WTACR0030RA1	WTACR0036RA1	WTACS0018RA1	WTACS0024RA1	WTACS0030RA1	WTACS0036RA1	WTACS0042RA1	WTACS0048RA1	WTACS0060RA1	WTBCS0018RA1	WTBCS0024RA1	WTBCS0030RA1	WTBCS0036RA1	WTBCS0042RA1	WTBCS0048RA1	WTBCS0060RA1
14	MATÉRIEL DE MONTAGE DU COMPRESSEUR	W370-0240	B	1	1	1															
14	MATÉRIEL DE MONTAGE DU COMPRESSEUR	W370-0241	B				1														
	SOUPAPE DE SERVICE - 3/4"	W725-0075		1	1	1	1	1	1	1	1	1			1	1	1	1			
	SOUPAPE DE SERVICE - 7/8"	W725-0076											1	1	1				1	1	1
	SOUPAPE DE SERVICE - 3/8"	W725-0074	A	1	1	1	1	1	1	1	1	1	1	1	1	1	1	1	1	1	1
15	ENSEMBLE, LIGNE DE LIQUIDE (CA)	W010-4667	A	1	1	1	1	1	1	1	1	1	1	1	1	1	1	1	1	1	1
17	ENSEMBLE, CONDUITE D'ASPIRATION 3/4PO D.E. 1.5&2T (AC)	W010-4668	A					1	1												
17	ENSEMBLE, CONDUITE D'ASPIRATION 3/4PO 2.5/3T (AC)	W010-4670	A							1	1						1	1			
17	ENSEMBLE, CONDUITE D'ASPIRATION 3/4PO 1.5/2T (AC)	W010-4672	A												1	1					
17	ENSEMBLE, CONDUITE D'ASPIRATION 7/8PO 3.5/4/5T (AC)	W010-4671	A										1	1	1				1	1	1
17	* ENSEMBLE, CONDUITE D'ASPIRATION 5/8 PO D.E. 1.5T (CA)	W010-5104	A	1																	
17	* ENSEMBLE, CONDUITE D'ASPIRATION 5/8 PO D.E. 2.0T (CA)	W010-5105	A		1																
17	* ENSEMBLE, CONDUITE D'ASPIRATION 5/8 PO D.E. 2.5T (CA)	W010-5107	A			1															
17	* ASSY, LIGNE DE DÉCHARGE 3/8PO 1.5/2.5T (AC)	W010-5106	A				1		1												
16	* ENSEMBLE, LIGNE DE DÉCHARGE 3/8PO, 2T (AC)	W010-5103	A					1													
16	ENSEMBLE, CONDUITE DE REFOULEMENT 1/2PO 29X27 - CS02	W010-3301	A																		
16	ENSEMBLE, CONDUITE DE REFOULEMENT 1/2PO 29X27 - CS02	W010-3655	A							1	1						1	1			
16	ENSEMBLE, CONDUITE DE REFOULEMENT 1/2PO 29X27 - CS01	W010-3654	A												1	1					
16	ENSEMBLE, CONDUITE DE REFOULEMENT 1/2" 29X27	W010-3813	A																		
16	ASSEMBLAGE, CONDUITE DE DÉCHARGE 3,5/4,0 TONNES (ACHP)	W010-3302	A										1	1					1		
16	ENSEMBLE, LIGNE DE DÉCHARGE 5 TONNES (ACHP)	W010-3303	A												1					1	1
16	ASSEMBLAGE, LIGNE DE DÉCHARGE 3/8PO D.E. (CA)	W010-5015	A	1	1	1															
16	ASSEMBLAGE, 1/2 LIGNE DE DÉCHARGE 3T (AC)	W010-4859	A				1														
25	CONDENSATEUR DOUBLE 30+5MFD 370V 50/60HZ	W435-0063	A						1												
25	CONDENSATEUR DOUBLE 35+5MFD 370 50/60HZ	W435-0066	A							1							1				
25	CONDENSATEUR DOUBLE 40+5MFD 370V 50/60HZ	W435-0067	A								1							1			
25	CONDENSATEUR DOUBLE 45+5MFD 370V 50/60HZ	W435-0068	A									1	1	1					1	1	
25	CONDENSATEUR DOUBLE 70+5MFD 370V 5/60HZ	W435-0069	A																		
25	CONDENSATEUR, 45+4MFD, 440V (CACM B)	W435-0086	A																		
25	CONDENSATEUR, 50+5MFD, 440V (CACM B)	W435-0083	A	1																	
25	CONDENSATEUR, 40+5MFD, 44V (CACM B)	W435-0085			1																
25	CONDENSATEUR, 55+5MFD, 44V (CACM B)	W435-0084	A				1														
25	* CONDENSATEUR, 60+5 MFD, 440V (CA)	W435-0123					1														
25	CONDENSATEUR, 45 + 7,5 MF 440 VCA	W435-0121																		1	
25	CONDENSATEUR DOUBLE 70+7,5 MF 440 VCA	W435-0118												1							1
26	SUPPORT, CONDENSATEUR	W080-1419	B	1	1	1	1	1	1	1	1	1	1	1	1	1	1	1	1	1	1
22	SUPPORT, FIL DE BLINDAGE	W585-0921	B	1	1	1	1	1	1	1	1	1	1	1	1	1	1	1	1	1	1
24	ENSEMBLE, PLAQUE ÉLECTRONIQUE (ACHP)	W010-4308	B	1	1	1	1	1	1	1	1	1			1	1	1				
24	ENSEMBLE, PLAQUE ÉLECTRONIQUE (ACHP)	W010-4309	B										1	1				1	1		
24	ENSEMBLE, PLAQUE ÉLECTRONIQUE (ACHP)	W010-4310	B												1					1	1
20	COSSE DE MISE À LA TERRE	W670-0525	A	1	1	1	1	1	1	1	1	1	1	1	1	1	1	1	1	1	1
19	DOUILLE, DÉCHARGE 1/2" CONTRAINTE	W105-0002	A	1	1	1	1	1	1	1	1	1	1	1	1	1	1	1	1	1	1
21	BORNE, CONTACTEUR A/C 1 PÔLE	W670-0524	C	1	1	1	1	1	1	1	1	1	1	1	1	1	1	1	1	1	1
23	COUVERCLE - ENCEINTE A/C	W200-0725*	C	1	1	1	1	1	1	1	1	1			1	1	1				
23	COUVERCLE - ENCEINTE A/C	W200-0726*	C										1	1					1	1	
23	COUVERCLE - ENCEINTE A/C	W200-0727*	C												1					1	1
27	FAISCEAU DE FILS, CONTACT A/C - CONDENSATEUR	W750-0329	B	1	1	1	1	1	1	1	1	1			1	1	1	1	1	1	1
28	FAISCEAU DE CABLES, RELAIS DE CONTACT 24V	W750-0340	B	1	1	1	1	1	1	1	1	1	1	1	1	1	1	1	1	1	1
29	FAISCEAU DE CABLES, PRISE DE COMPRESSEUR	W750-0320	A	1	1	1	1	1	1	1	1	1	1	1	1	1	1	1	1	1	1
29	FAISCEAU DE CABLES COMPRESSEUR LG (ACHP)	W750-0328	A	1	1	1	1														
	ASSEMBLAGE, COUVERCLE DE BORNES COMP ELEC	W370-0242	A	1	1	1	1														

Notes:

\* Un suffixe est ajouté à la fin du numéro de pièce pour spécifier la couleur de la peinture (c'est-à-dire -GY1TX pour le gris).

W415-3149 / A / 12.19.22

15.2 VUE ÉCLATÉE



## 15.3 ACCESSOIRES

Articles	Part Description	ID de Pièce	WTACR0018RA1*																	
			WTACR0024RA1*	WTACR0030RA1*	WTACR0036RA1*	WTACS0018RA1	WTACS0024RA1	WTACS0030RA1	WTACS0036RA1	WTACS0042RA1	WTACS0048RA1	WTACS0060RA1	WTBCS0018RA1	WTBCS0024RA1	WTBCS0030RA1	WTBCS0036RA1	WTBCS0042RA1	WTBCS0048RA1	WTBCS0060RA1	
1	KIT DE CONVERSION TXV À ORIFICE	W370-0228	1																	
2	KIT DE CONVERSION TXV À ORIFICE	W370-0229		1																
3	KIT DE CONVERSION TXV À ORIFICE	W370-0230			1															
4	KIT DE CONVERSION TXV À ORIFICE	W370-0243				1														
6	TXV, PURGE, 1.5-2.0T	W370-0238	1	1																
7	TXV, PURGE, 2.5-3.0T	W370-0246			1	1														
8	KIT DE DÉMARRAGE DUR	W370-0231	1	1	1		1	1	1				1	1	1					
9	KIT DE DÉMARRAGE DUR	W370-0247				1				1	1					1	1			
10	KIT DE DÉMARRAGE DUR**	W370-0248										1	1					1	1	
11	KIT DE MINUTERIE ANTI-COURT-CYCLE*	W370-0249	1	1	1	1	1	1	1	1	1	1	1	1	1	1	1	1	1	1

### Notes:

\* S'ils sont installés avec un TXV sans purge, ces systèmes nécessitent l'installation d'un kit de démarrage difficile.

\*\* Requis si un minimum de 5 minutes de temps d'arrêt entre les démarrages n'est pas fourni par le thermostat du système.

Les produits **Wolf Steel Itée** sont fabriqués conformément aux normes strictes du certificat d'assurance de qualité mondialement reconnu ISO 9001 : 2015. Les produits **Wolf Steel Itée** sont conçus avec des composants et des matériaux de qualité supérieure, assemblés par des artisans qualifiés, qui sont fiers de leur travail. Une fois assemblé, chaque appareil est soigneusement inspecté par un technicien qualifié avant d'être emballé pour garantir que vous, le client, recevez le produit de qualité dont vous vous attendez de **Wolf Steel Itée**.

### GARANTIE LIMITÉE DE CONTINENTAL SUR LES CLIMATISEURS CENTRAUX

Wolf Steel Itée garantit que les climatiseurs centraux de Continental sont exempts de défaut de fabrication et de main-d'œuvre à condition qu'ils soient utilisés et entretenus adéquatement.

#### GARANTIE LIMITÉE DU PRÉSIDENT (enregistrée)

Le climatiseur central de Continental est garanti au propriétaire initial enregistré ou à son ou sa conjoint(e) (« propriétaire ») pendant une période de **10 ANS au domicile** où l'appareil a été initialement installé, sous réserve des conditions ci-dessous. Ces garanties sont applicables uniquement si :

- L'appareil est installé dans une résidence unifamiliale principale habitée par le propriétaire; et
- La garantie a été enregistrée en ligne auprès de Wolf Steel Itée dans les 60 jours suivant l'installation originale de l'appareil ou la possession d'une nouvelle maison.

OU

#### GARANTIE LIMITÉE (non enregistrée)

Si la garantie n'est pas enregistrée, toutes les pièces, y compris le compresseur, sont garanties pendant **5 ANS**. En cas de défaillance d'une pièce au cours de la première année en raison d'un défaut, Wolf Steel Itée se réserve le droit de remplacer la pièce défectueuse ou l'assemblage complet du condenseur, à la discrétion de l'entreprise. La garantie ne couvre pas les coûts de diagnostic, de transport ou de main-d'œuvre associés à la réparation de l'appareil.

\* La fabrication des modèles peut varier. La garantie s'applique uniquement aux composants qui sont livrés avec votre appareil.

#### ENREGISTREMENT DE LA GARANTIE

Pour procéder à l'enregistrement, rendez-vous au [www.continentalcomfort.com](http://www.continentalcomfort.com) ou composez le **1 866 820-8686**.

Certains États ou provinces n'autorisent pas de limitations sur la durée d'une garantie limitée implicite ni n'autorisent l'exclusion ou la limitation de dommages accessoires ou consécutifs. Par conséquent, vous n'êtes peut-être pas concerné par des limitations ou des exclusions. Cette garantie vous donne des droits légaux précis; vous pourriez avoir d'autres droits, lesquels varient d'une juridiction à l'autre.

#### CONDITIONS ET LIMITATIONS

Les réclamations au titre de la garantie doivent être autorisées par un agent ou un représentant reconnu de Wolf Steel Itée; les pièces ou les composants visés par la réclamation peuvent faire l'objet d'une analyse à l'usine de Wolf Steel Itée. Des documents indiquant la date d'installation et faisant état de l'entretien périodique sont requis pour le traitement de la réclamation. Tous les services offerts en vertu de la garantie doivent être exécutés par un technicien de service autorisé par Wolf Steel Itée et celui-ci doit utiliser des composants approuvés.

Les produits retournés doivent être expédiés en port payé au fabricant à des fins d'examen. Si le produit s'avère défectueux, le fabricant le réparera ou le remplacera. Avant d'expédier l'appareil ou les pièces défectueuses, votre détaillant doit obtenir un numéro d'autorisation. Toute marchandise expédiée à notre usine sans autorisation sera refusée et retournée à l'expéditeur. Les coûts d'expédition ne sont pas couverts par cette garantie. Des frais de service supplémentaires peuvent être appliqués si vous cherchez à obtenir des services au titre de la garantie auprès d'un détaillant.

TOUTES LES SPÉCIFICATIONS ET LES CONCEPTIONS SONT SUJETTES À DES MODIFICATIONS SANS PRÉAVIS EN RAISON DES AMÉLIORATIONS CONSTANTES APPORTÉES AU PRODUIT. Continental® EST UNE MARQUE DÉPOSÉE DE WOLF STEEL LTÉE. NUMÉROS DE BREVET AUX É.-U. : 5.303.693.801 – AU CAN. : 2.073.411, 2.082.915 © WOLF STEEL LTÉE.

#### PROPRIÉTAIRE : POUR CONSULTATION ULTÉRIEURE

Modèle et N° de série \_\_\_\_\_

(N° de série inscrit à l'intérieur de la porte inférieure)

Date d'installation \_\_\_\_\_

Nom du détaillant \_\_\_\_\_

Ville/Province/État/Code postal \_\_\_\_\_

Téléphone/Télécopieur \_\_\_\_\_

Courriel \_\_\_\_\_

Pour en savoir plus au sujet de cette garantie, communiquez avec le service technique de Wolf Steel Itée par • téléphone au 866-820-8686 • courriel à l'adresse [cvcv@continentalcomfort.com](mailto:cvcv@continentalcomfort.com) • courrier à **WOLF STEEL Itée**, 24 Napoleon Road, Barrie, Ontario, L4M 0G8 Canada



w w w . c o n t i n e n t a l c o m f o r t . c o m



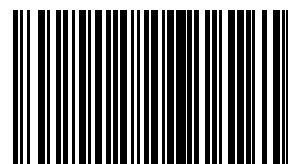


## 18. FICHE DU PROPRIÉTAIRE

MIO

TABLEAU DE RÉFÉRENCE
Numéro de modèle
Numéro de série <i>(numéro de série situé sur le fond de la porte intérieure)</i>
Date d'installation
Entrepreneur
Contact
Adresse
Code postal
Numéro de téléphone
Numéro en dehors des heures de travail
<b>Si différent de l'installateur :</b>
Technicien de service
Numéro de téléphone
Numéro en dehors des heures de travail
<b>NOTE:</b>





W415-3149

## CONTINENTAL

---

24 Napoleon Road,  
Barrie, Ontario,  
Canada L4M 0G8

214 Bayview Drive,  
Barrie, Ontario,  
Canada L4N 4Y8

103 Miller Drive,  
Crittenden, Kentucky,  
USA 41030

7200, Route Transcanadienne,  
Montréal, Québec  
Canada H4T 1A3

**P: 1-866-820-8686**  
[continentalcomfort.com](http://continentalcomfort.com)