

# SharkBite Max™

## Ball Valve with Drain & Drop-Ear

SharkBite Max™ allows users to connect pipe with ease - no tools needed. This new design features a stainless steel retainer for extra strength, higher pressure ratings (250 psi) and a lower insertion effort than previous versions of SharkBite Brass Push-to-Connect fittings. SharkBite Max fittings do not require a PEX stiffener and are compatible with PEX, copper, CPVC, PE-RT and HDPE\*.

### Applications

Residential and commercial potable water, recirculation, hydronic heating/cooling (up to 50% glycol concentration) and direct burial.

### Specification Data

#### Materials

Body	Lead-Free DZR Brass
O-ring	EPDM
Steel Retainer	304 Stainless Steel
Grab Ring	Stainless Steel
Seal Ring	PTFE
Ball	Chrome Plated Brass
Handle	Steel with PVC Coating
Lock Nut	Stainless Steel
Spindle	Lead-Free DZR Brass

#### Pipe Insertion Depth

Fitting Size	Insertion Depth
1/2"	1.00 in.
3/4"	1.25 in.

#### Performance

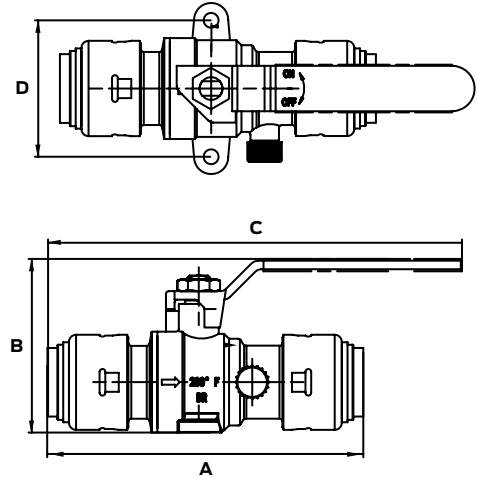
Max Working Pressure	
Max Pressure	250 psi
Max Temperature	200°F (93°C)

### Certifications & Listings

ASME A112.4.14/CSA B125.14, NSF/ANSI 14, NSF/ANSI/CAN 61, NSF/ANSI/CAN 372

For listing information, please contact Customer Service

\* HDPE installations must use a tube stiffener. Sold separately by HDPE manufacturer.



#### Dimensions (inches)

Part #	Size	A	B	C	D
UR24615	1/2"	3.6	1.9	2.1	1.5
UR24616	3/4"	5.7	2.4	2.4	1.9

#### Product Submittal

Name	
Date	
Architect/Owner	
Contractor	
Tag	
Notes	