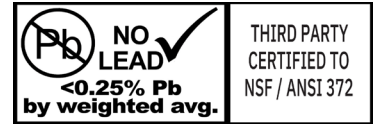


# 07ST & 2-07TK SERIES 304SS & BRASS TANK TEES

Boshart's tank tees are a multi-port fitting that is designed to connect a tank to the water system. Their compact design makes a clean looking installation reducing the number of joints and potential leak points. They provide faster installation of a water system and are compact. They come in a variety of union and non-union types. Union tees allow for quick and easy replacement of the tank when required. They are manufactured using AS 568 American Standard O-rings, which ensure watertight connections.



A wide range of center end length (CEL) options are available to accommodate any brand and diameter of tank on the market. They are made of No-lead Brass, 304 Stainless Steel, and PVC materials. No-lead Brass NSF/ANSI 372 test criteria requires  $<0.25\%$  Pb by weighted average. 304SS and PVC tank tees do not contain any lead (0.00% Pb), although they require the same NSF/ANSI 372 certification to be sold in some areas.

## SPECIFICATIONS:

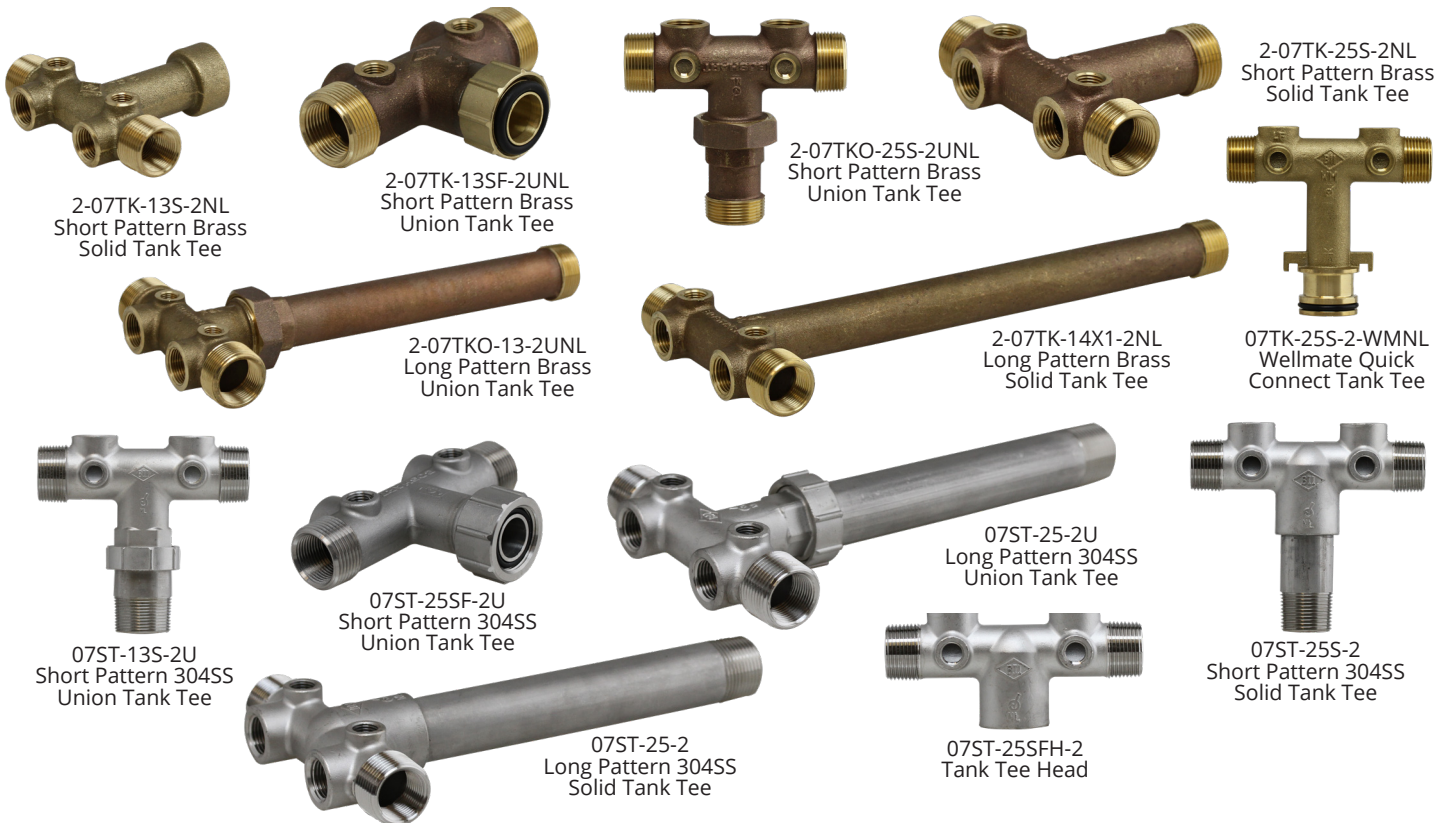
- NPT pipe thread connections conform to ANSI/ASME B1.20.1
- Union nut threads: Straight threads
- O-ring material: Nitrile rubber
- Brass union nut material: Leaded brass C85700

## RATINGS:

- Maximum pressure rating: 200 PSI
- Maximum temperature rating: 100 °F (37.7 °C)

## CERTIFICATIONS:

- NSF/ANSI Standard 372 Certified



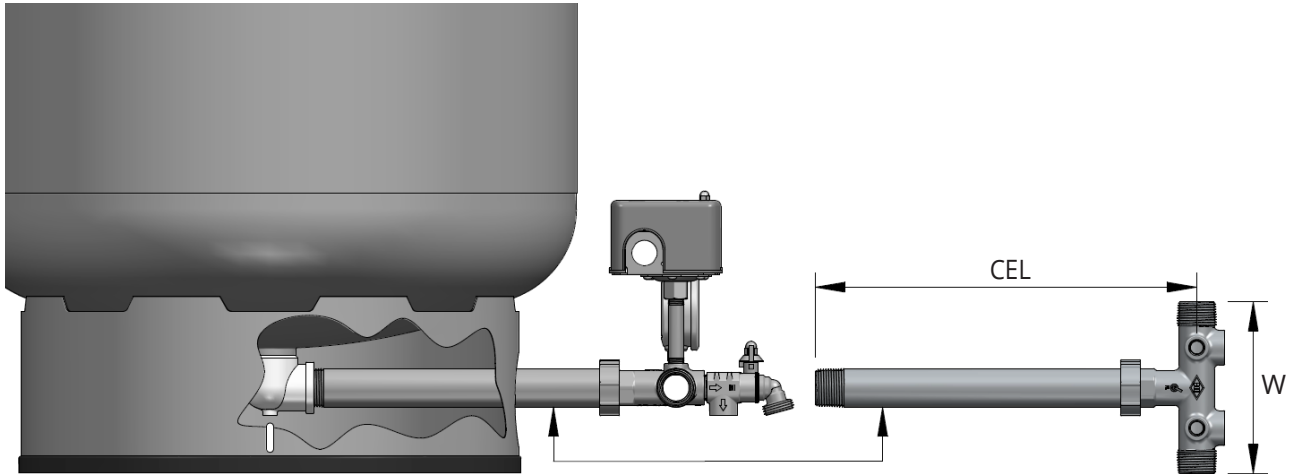
**In order to select the correct tank tee for your application, you must first determine which type of tank your system uses!**



**BOSHART**  
INDUSTRIES

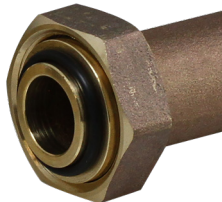
25 Whaley Avenue, PO Box 310, Milverton, ON CANADA N0K 1M0  
Tel: 800-561-3164

[boshart.com](http://boshart.com) ♦ [blog.boshart.com](http://blog.boshart.com)

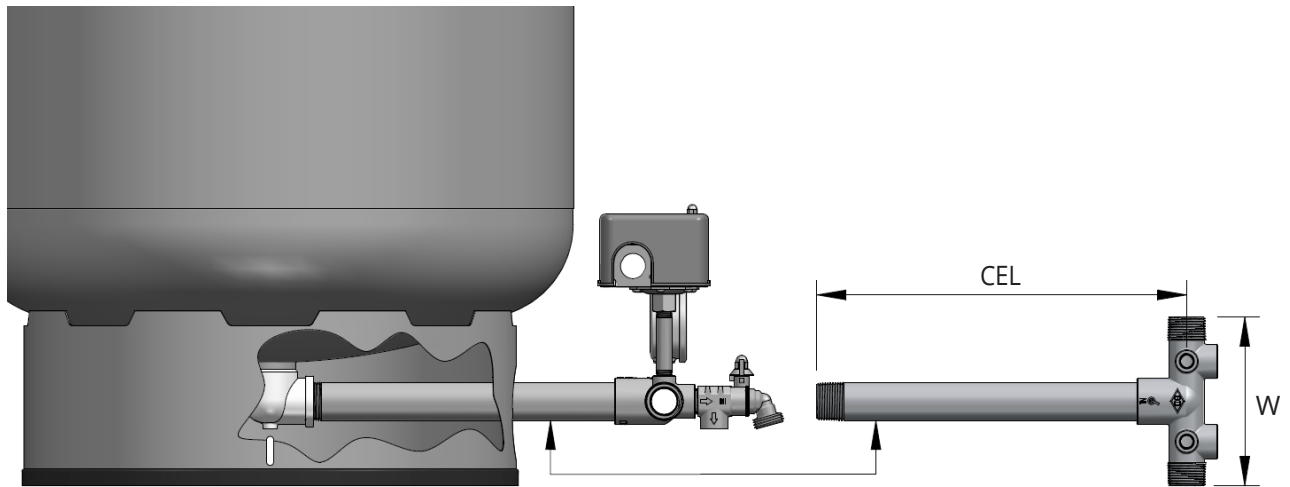
# LONG PATTERN MALE UNION TANK TEES - FOR CENTER BOTTOM OUTLET PRESSURE TANKS






DIMENSIONS										
Part No.	Tank Connection	In-Line Connection	Accessory Ports	Drain Ports	O-Ring	CEL		W		
						in	mm	in	mm	
<b>304 Stainless Steel</b> - No-lead Certified to NSF/ANSI 372 (SS alloys do not contain any lead, 0.00% Pb)										
 07ST-25-2U	07ST-8-2U	1" MPT	1" MPT x 3/4" FPT	(2) 1/4" FPT	(2) 1/2" FPT	AS 568-217	7.50	190.5	5.90	149.9
	07ST-25-2U	1" MPT	1" MPT x 3/4" FPT	(2) 1/4" FPT	(2) 1/2" FPT	AS 568-217	10.0	254.0	5.90	149.9
	07ST-14X1-2U	1" MPT	1" MPT x 3/4" FPT	(2) 1/4" FPT	(2) 1/2" FPT	AS 568-217	13.0	330.2	5.90	149.9
	07ST-13-2U	1-1/4" MPT	1-1/4" MPT x 1" FPT	(2) 1/4" FPT	(2) 3/4" FPT	AS 568-221	13.0	330.2	6.00	152.4
	07ST-16-2U	1-1/4" MPT	1-1/4" MPT x 1" FPT	(2) 1/4" FPT	(2) 3/4" FPT	AS 568-221	16.0	406.4	6.00	152.4
<b>C89550 NL Brass</b> - No-lead Certified to NSF/ANSI 372 (NL test criteria <0.25% Pb by weighted average)										
 2-07TKO-13-2UNL	2-07TKO-8-2UNL	1" MPT	1" MPT x 3/4" FPT	(2) 1/4" FPT	(2) 1/2" FPT	AS 568-215	7.50	190.5	5.47	138.9
	2-07TKO-25-1UNL	1" MPT	1" MPT x 3/4" FPT	(2) 1/4" FPT	(1) 1/2" FPT	AS 568-215	10.0	254.0	5.47	138.9
	2-07TKO-25-2UNL	1" MPT	1" MPT x 3/4" FPT	(2) 1/4" FPT	(2) 1/2" FPT	AS 568-215	10.0	254.0	5.47	138.9
	2-07TKO-14X1-2UNL	1" MPT	1" MPT x 3/4" FPT	(2) 1/4" FPT	(2) 1/2" FPT	AS 568-215	13.0	330.2	5.50	139.7
	2-07TKO-13-2UNL	1-1/4" MPT	1-1/4" MPT x 1" FPT	(2) 1/4" FPT	(2) 3/4" FPT	AS 568-218	13.0	330.2	5.95	151.1

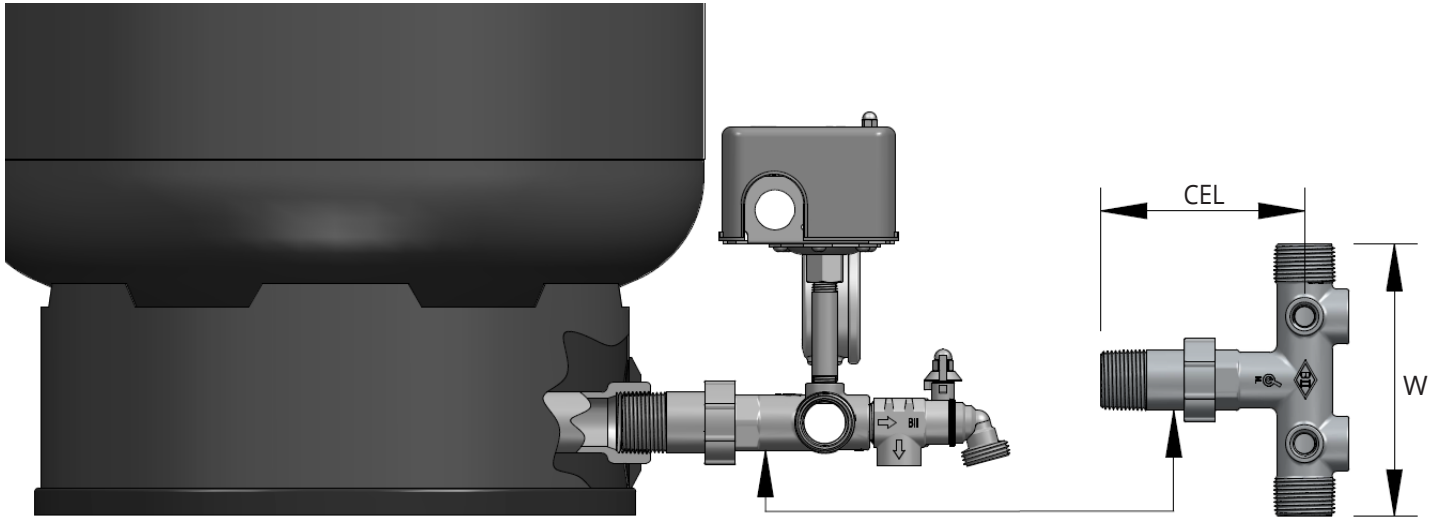




# LONG PATTERN MALE NON-UNION (SOLID) TANK TEES - FOR CENTER BOTTOM OUTLET PRESSURE TANKS



DIMENSIONS									
Part No.	Tank Connection	In-Line Connection	Accessory Ports	Drain Ports	CEL		W		
					in	mm	in	mm	
<b>304 Stainless Steel</b> - No-lead Certified to NSF/ANSI 372 (SS alloys do not contain any lead, 0.00% Pb)									
 07ST-8-2	07ST-8-2	1" MPT	1" MPT x 3/4" FPT	(2) 1/4" FPT	(2) 1/2" FPT	7.75	196.9	5.80	147.3
	07ST-25-2	1" MPT	1" MPT x 3/4" FPT	(2) 1/4" FPT	(2) 1/2" FPT	9.75	247.7	5.80	147.3
	07ST-14X1-2	1" MPT	1" MPT x 3/4" FPT	(2) 1/4" FPT	(2) 1/2" FPT	12.75	323.9	5.85	148.6
	07ST-13-2	1-1/4" MPT	1-1/4" MPT x 1" FPT	(2) 1/4" FPT	(2) 3/4" FPT	12.88	327.2	5.95	151.1
	07ST-16-2	1-1/4" MPT	1-1/4" MPT x 1" FPT	(2) 1/4" FPT	(2) 3/4" FPT	15.88	403.4	5.95	151.1
<b>C89550 NL Brass</b> - No-lead Certified to NSF/ANSI 372 (NL test criteria <0.25% Pb by weighted average)									
 2-07TK-14X1-2NL	2-07TK-25-1NL	1" MPT	1" MPT x 3/4" FPT	(2) 1/4" FPT	(2) 1/2" FPT	10.0	254.0	5.47	138.9
	2-07TK-25-2NL	1" MPT	1" MPT x 3/4" FPT	(2) 1/4" FPT	(2) 1/2" FPT	10.0	254.0	5.47	138.9
	2-07TK-14X1-2NL	1" MPT	1" MPT x 3/4" FPT	(2) 1/4" FPT	(2) 1/2" FPT	13.0	330.2	5.47	138.9
	2-07TK-13-2NL	1-1/4" MPT	1-1/4" MPT x 1" FPT	(2) 1/4" FPT	(2) 3/4" FPT	13.0	330.2	5.65	143.5
<b>PVC</b>									
 07PT-25-2	07PT-25-2	1" MPT	1" MPT x 3/4" Socket	(2) 1/4" FPT	(2) 1/2" FPT	11.0	279.4	5.60	142.2

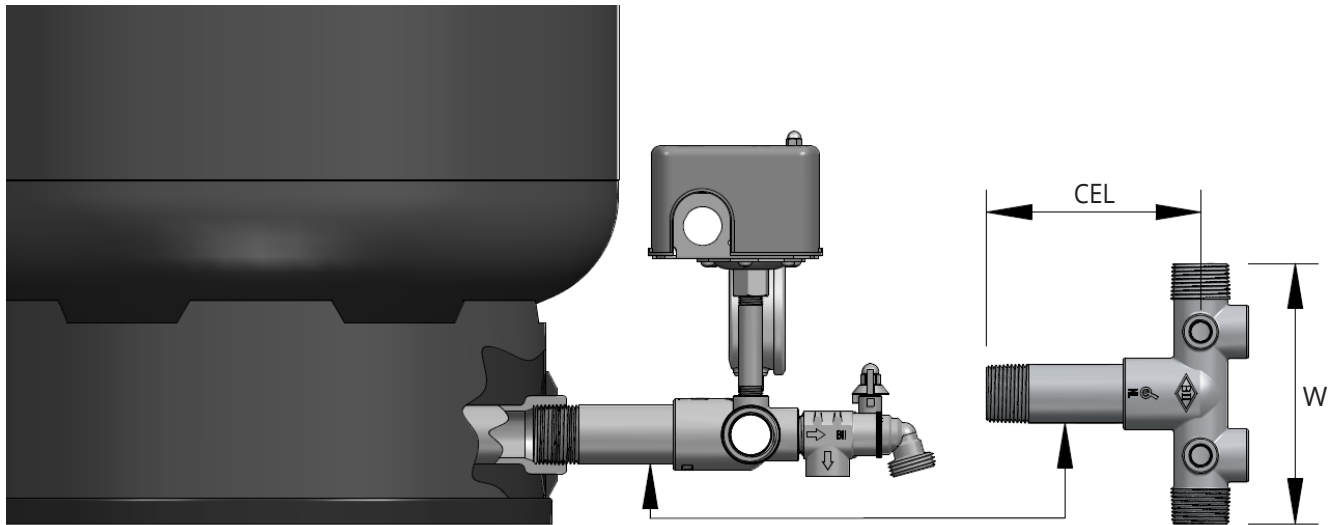
# SHORT PATTERN MALE UNION TANK TEES - FOR FEMALE (FPT) SIDE OUTLET PRESSURE TANKS






DIMENSIONS										
Part No.	Tank Connection	In-Line Connection	Accessory Ports	Drain Ports	O-Ring	CEL		W		
						in	mm	in	mm	
<b>304 Stainless Steel</b> - No-lead Certified to NSF/ANSI 372 (SS alloys do not contain any lead, 0.00% Pb)										
 07ST-13S-2U	07ST-25S-2U	1" MPT	1" MPT x 3/4" FPT	(2) 1/4" FPT	(2) 1/2" FPT	AS 568-217	4.50	114.3	5.88	149.4
	07ST-13S-2U	1-1/4" MPT	1-1/4" MPT x 1" FPT	(2) 1/4" FPT	(2) 3/4" FPT	AS 568-221	4.50	114.3	6.00	152.4
<b>C89550 NL Brass</b> - No-lead Certified to NSF/ANSI 372 (NL test criteria <0.25% Pb by weighted average)										
 2-07TKO-13S-2UNL	2-07TKO-25S-2UNL	1" MPT	1" MPT x 3/4" FPT	(2) 1/4" FPT	(2) 1/2" FPT	AS 568-215	4.50	114.3	5.47	138.9
	2-07TKO-13S-2UNL	1-1/4" MPT	1-1/4" MPT x 1" FPT	(2) 1/4" FPT	(2) 3/4" FPT	AS 568-218	4.50	114.3	5.85	148.6

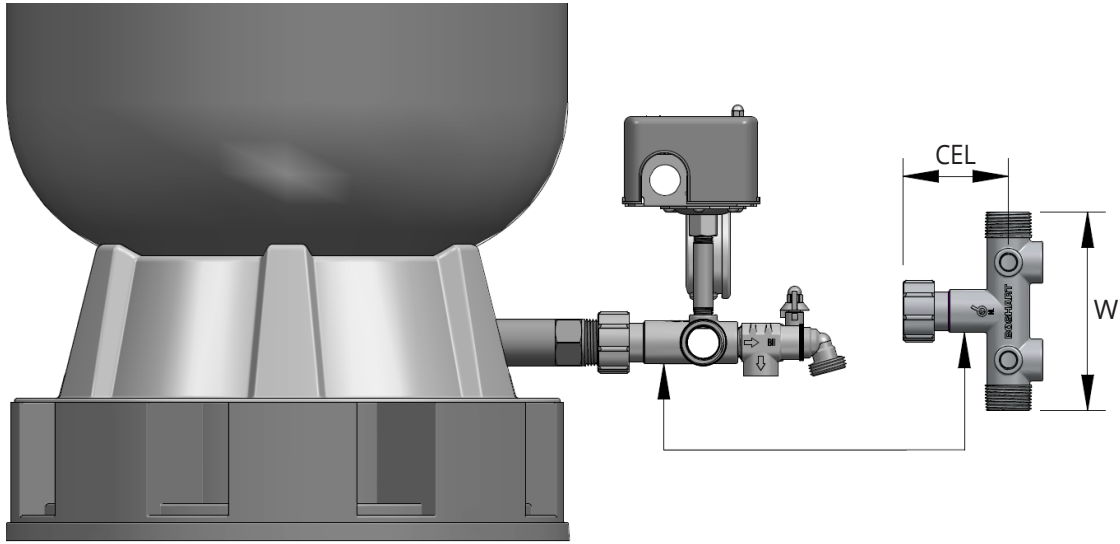



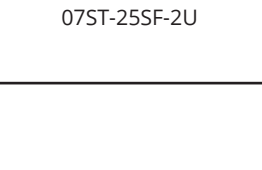

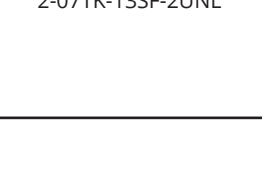

# SHORT PATTERN MALE NON-UNION (SOLID) TANK TEES - FOR FEMALE (FPT) SIDE OUTLET PRESSURE TANKS



		DIMENSIONS							
Part No.	Tank Connection	In-Line Connection	Accessory Ports	Drain Ports	CEL		W		
					in	mm	in	mm	
		<b>304 Stainless Steel</b> - No-lead Certified to NSF/ANSI 372 (SS alloys do not contain any lead, 0.00% Pb)							
07ST-25S-2	1" MPT	1" MPT x 3/4" FPT	(2) 1/4" FPT	(2) 1/2" FPT	4.75	120.7	5.80	147.3	
07ST-13S-2	1-1/4" MPT	1-1/4" MPT x 1" FPT	(2) 1/4" FPT	(2) 3/4" FPT	4.50	114.3	5.95	151.1	
		<b>C89550 NL Brass</b> - No-lead Certified to NSF/ANSI 372 (NL test criteria <0.25% Pb by weighted average)							
2-07TK-25S-2NL	1" MPT	1" MPT x 3/4" FPT	(2) 1/4" FPT	(2) 1/2" FPT	3.63	92.20	5.47	138.9	
2-07TK-54S-2NL	1-1/4" MPT	1" MPT x 3/4" FPT	(2) 1/4" FPT	(2) 1/2" FPT	3.00	76.20	4.29	134.4	
2-07TK-13S-2NL	1-1/4" MPT	1-1/4" MPT x 1" FPT	(2) 1/4" FPT	(2) 3/4" FPT	3.38	85.85	5.69	144.5	
		<b>PVC</b>							
07-IC125	1-1/4" MPT x 1" FPT	1" MPT x 3/4" FPT	(2) 1/4" FPT	(1) 3/4" FPT & (1) 1/2" FPT	3.63	92.20	4.85	123.2	

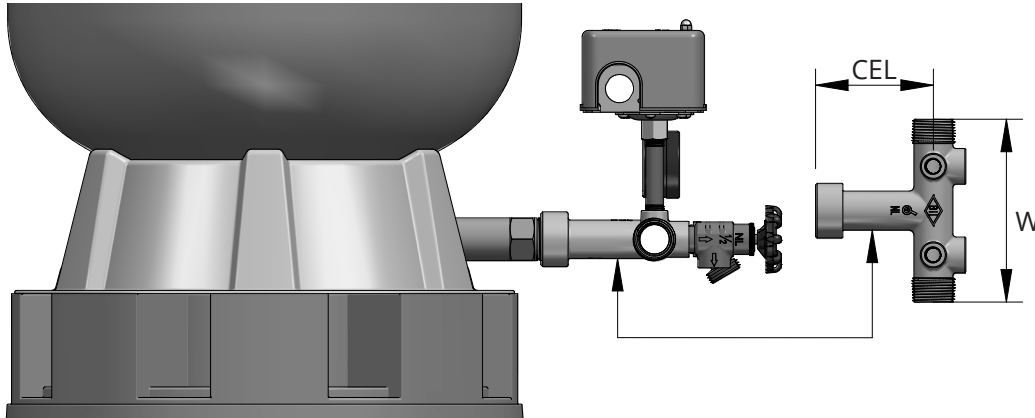
# SHORT PATTERN FEMALE UNION TANK TEES - FOR MALE (MPT) SIDE OUTLET PRESSURE TANKS



DIMENSIONS										
Part No.	Tank Connection	In-Line Connection	Accessory Ports	Drain Ports	O-Ring	CEL		W		
						in	mm	in	mm	
<b>304 Stainless Steel</b> - No-lead Certified to NSF/ANSI 372 (SS alloys do not contain any lead, 0.00% Pb)										
 07ST-25SF-2U	07ST-25SF-2U	1" FPT	1" MPT x 3/4" FPT	(2) 1/4" FPT	(2) 1/2" FPT	AS 568-217	2.63	66.80	3.95	100.3
 07ST-13SF-2U	07ST-13SF-2U	1-1/4" FPT	1-1/4" MPT x 1" FPT	(2) 1/4" FPT	(2) 3/4" FPT	AS 568-221	2.75	69.85	4.00	101.6
<b>C89550 NL Brass</b> - No-lead Certified to NSF/ANSI 372 (NL test criteria <0.25% Pb by weighted average)										
 2-07TK-13SF-2UNL	2-07TK-25SF-2UNL	1" FPT	1" MPT x 3/4" FPT	(2) 1/4" FPT	(2) 1/2" FPT	AS 568-212	3.00	76.20	4.05	102.9
 2-07TK-54SF-2UNL	2-07TK-54SF-2UNL	1-1/4" FPT	1" MPT x 3/4" FPT	(2) 1/4" FPT	(2) 1/2" FPT	AS 568-320	3.00	76.20	3.80	96.52
 2-07TK-13SF-2UNL	2-07TK-13SF-2UNL	1-1/4" FPT	1-1/4" MPT x 1" FPT	(2) 1/4" FPT	(2) 3/4" FPT	AS 568-320	3.00	76.20	3.74	94.99

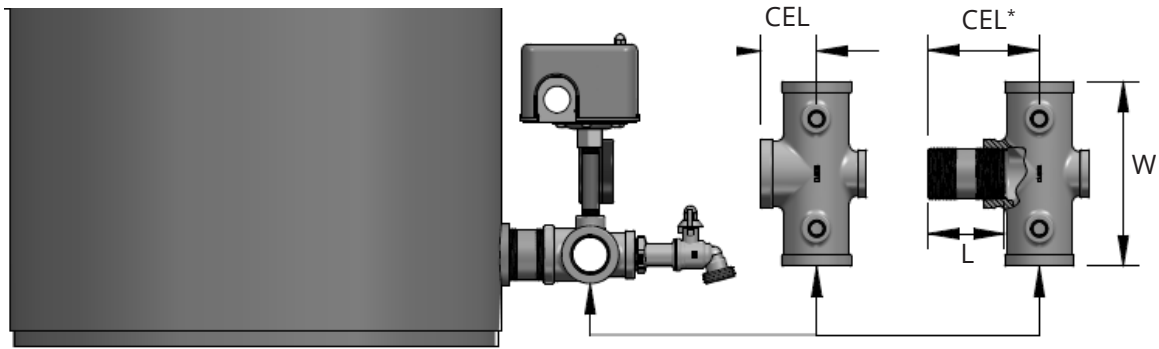


# SHORT PATTERN FEMALE NON-UNION (SOLID) TANK TEES - FOR MALE (MPT) SIDE OUTLET PRESSURE TANKS



DIMENSIONS									
Part No.	Tank Connection	In-Line Connection	Accessory Ports	Drain Ports	CEL		W		
					in	mm	in	mm	
<b>C89550 NL Brass</b> - No-lead Certified to NSF/ANSI 372 (NL test criteria <0.25% Pb by weighted average)									
2-07TK-25SF-2NL	1" FPT	1" MPT x 3/4" FPT	(2) 1/4" FPT	(2) 1/2" FPT	3.63	92.20	5.45	138.4	
2-07TK-13SF-2NL	1-1/4" FPT	1-1/4" MPT x 1" FPT	(2) 1/4" FPT	(2) 3/4" FPT	3.63	92.20	4.65	118.1	

# SHORT PATTERN NON-UNION (SOLID) TANK TEES - FOR GALVANIZED HYDROPNEUMATIC SIDE OUTLET PRESSURE TANKS



DIMENSIONS										
Part No.	Tank Connection	In-Line Connection	Accessory Ports	Drain Ports	CEL		CEL*		W	
					in	mm	in	mm	in	mm
<b>Galvanized Malleable Iron</b>										
07HC100G	1" FPT	1" FPT	(2) 1/4" FPT	(1) 3/4" FPT	1.50	38.10	3.34	84.84	5.75	146.1
07HC125G	1-1/4" FPT	1-1/4" FPT	(2) 1/4" FPT	(1) 3/4" FPT	1.81	45.97	3.63	92.20	6.00	152.4

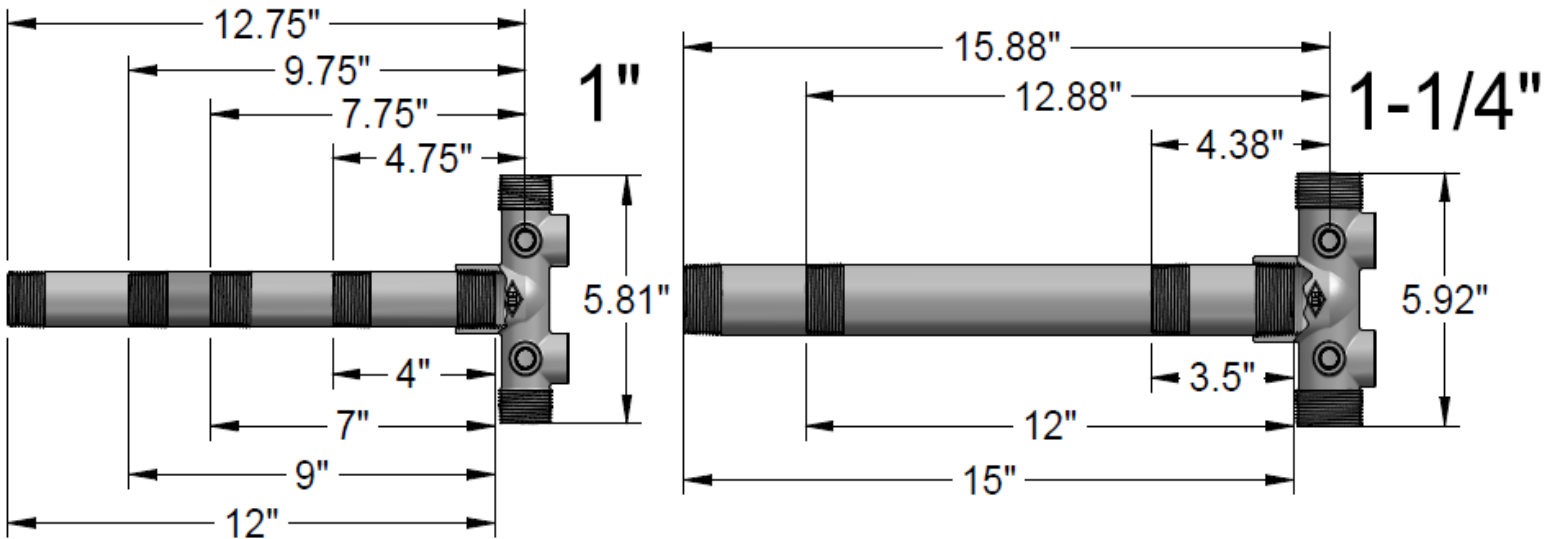
\*CEL for a nipple length (L) of 2.50"


# TANK TEE HEADS - FOR FABRICATING REQUIRED CEL ON SITE

This tank tee head can be assembled to any length of pipe nipple to provide the desired center end length (CEL) to work with various brands or diameters of center bottom connection or female side outlet connection pressure tanks. NOTE: This head is too short in CEL to work on a pressure tank with a male side outlet connection. Carrying this tank tee head on your service truck along with various SS nipple lengths will ensure you can plumb any tank that you find in the field.

NOTE: The FPT tank connection is purposely threaded deep to conceal the pipe nipple thread and to provide a clean, one piece appearance not having any threads exposed. There is no need for concern when you install the pipe nipple and it turns in much further than you normally get when making an NPT connection. This head is specially designed to ensure the nipple will not bottom out before the threads are tight.

The diagram below shows the CEL with various lengths of pipe nipple for the 1" and 1-1/4" tank tees.

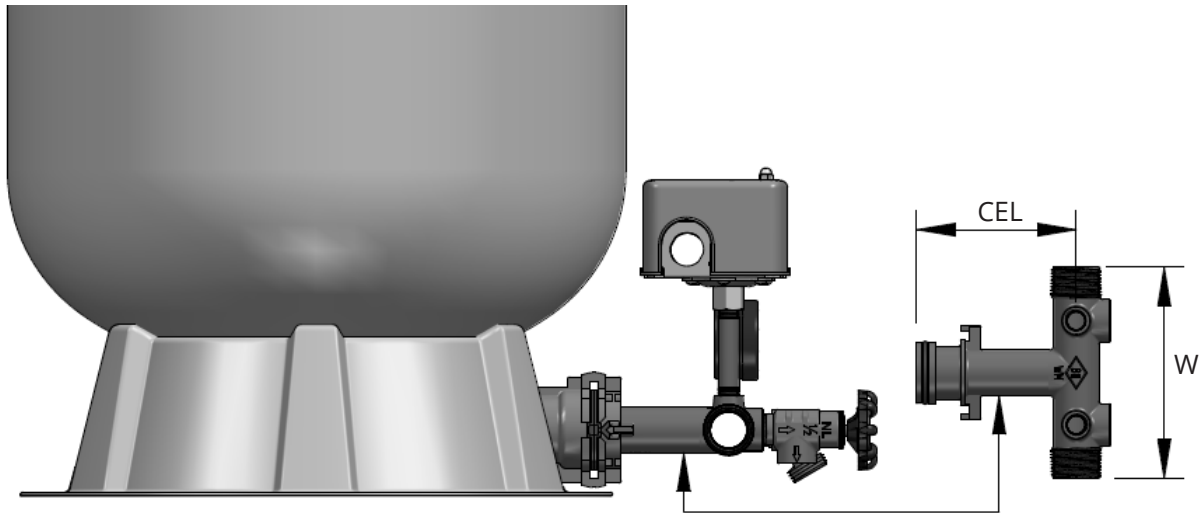



DIMENSIONS							
Part No.	Tank Connection	In-Line Connection	Accessory Ports	Drain Ports	W		
					in	mm	
<b>304 Stainless Steel</b> - No-lead Certified to NSF/ANSI 372 (SS alloys do not contain any lead, 0.00% Pb)							
 07ST-25SFH-2	07ST-25SFH-2	1" FPT	1" MPT x 3/4" FPT	(2) 1/4" FPT	(2) 1/2" FPT	5.81	147.6
	07ST-13SFH-2	1-1/4" FPT	1-1/4" MPT x 1" FPT	(2) 1/4" FPT	(2) 3/4" FPT	5.92	150.4



# WELLMATE QUICK CONNECT TANK TEES - FOR WELLMATE TANKS ONLY

These tank tees are specially designed for the Wellmate Quick Connect tank series. They have alignment tabs that interlock with the tank connection to keep the tee in perfect position. The leg length allows for the replacement of a pressure switch without hitting the tank, eliminating the need for the tee to be disassembled from the tank.



DIMENSIONS										
Part No.	Tank Connection	In-Line Connection	Accessory Ports	Drain Ports	O-Ring	CEL		W		
						in	mm	in	mm	
<b>C89550 NL Brass</b> - No-lead Certified to NSF/ANSI 372 (NL test criteria <0.25% Pb by weighted average)										
 07TK-25S-2-WMNL	07TK-25S-2-WMNL	Male QC	1" MPT x 3/4" FPT	(2) 1/4" FPT	(2) 1/2" FPT	AS 568-220	4.13	104.9	5.05	128.3
	07TK-13S-2-WMNL	Male QC	1-1/4" MPT x 1" FPT	(2) 1/4" FPT	(2) 3/4" FPT	AS 568-220	6.00	152.4	5.95	151.1

For more information on installation, adjustment, repair & operation, visit Boshart Knowledge Base at

[SUPPORT.BOSHART.COM](http://SUPPORT.BOSHART.COM)



**BOSHART**  
INDUSTRIES

25 Whaley Avenue, PO Box 310, Milverton, ON CANADA N0K 1M0  
Tel: 800-561-3164

[boshart.com](http://boshart.com) ♦ [blog.boshart.com](http://blog.boshart.com)