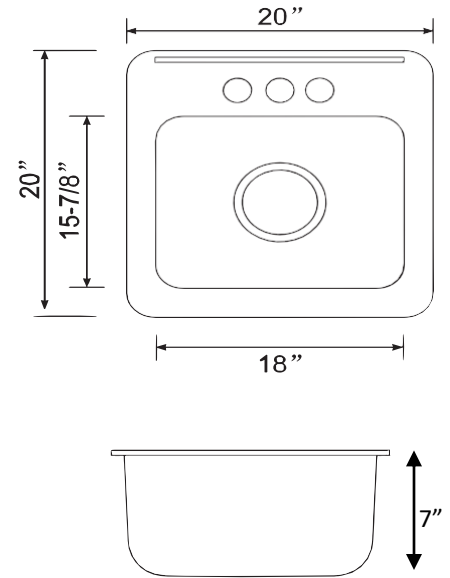


ONEX[®]

STAINLESS STEEL SINKS



MODEL OD2020-7

| | | |
|---------------------|----------------------------------|---|
| OVERALL SIZE | 508 mm X 508 mm 20" X 20" | <ul style="list-style-type: none"> • 304 brushed finish stainless steel 20 gauge • Stainless steel strainer, clips and template included • Sound deadening pads • Drain located towards rear to provide more space under the sink • Product certified ASME A112.19.3, CSA B45.0, and CSA B45.4 |
| BOWL SIZE | 456 mm X 404 mm 18" X 15-7/8" | |
| DEPTH | 7" | |