



DESCRIPTION

The Tradesman duct reducer is designed to transition from one duct size to another.

CONSTRUCTION

Made of 26GA to 28GA galvanized.

FEATURES

100% laser cut for accuracy.
Made to fit Tradesman duct.

GUARANTEE

Made in Canada. All Tradesman Manufacturing products are guaranteed against defective material.

OPTIONAL CONSTRUCTION

Custom sizes available upon request to suit any and all applications.

Contact Tradesman Manufacturing for availability, pricing, and lead time.

Product Code	Large Dimension	Small Dimension	Box Qty
DRE/1008/28	10" x 8"	8" x 8"	5
DRE/1208/28	12" x 8"	8" x 8"	5
DRE/1210/28	12" x 8"	10" x 8"	5
DRE/1408/28	14" x 8"	8" x 8"	5
DRE/1410/28	14" x 8"	10" x 8"	5
DRE/1412/28	14" x 8"	12" x 8"	5
DRE/1608/28	16" x 8"	8" x 8"	5
DRE/1610/28	16" x 8"	10" x 8"	5
DRE/1612/28	16" x 8"	12" x 8"	5
DRE/1614/28	16" x 8"	14" x 8"	5
DRE/1812/28	18" x 8"	12" x 8"	5
DRE/1814/28	18" x 8"	14" x 8"	5
DRE/1816/28	18" x 8"	16" x 8"	5
DRE/2014/26	20" x 8"	14" x 8"	5
DRE/2016/26	20" x 8"	16" x 8"	5
DRE/2018/26	20" x 8"	18" x 8"	5

[\(403\) 327-9871](tel:4033279871)

sales@tradesmanmfg.ca

www.tradesmanmfg.ca

Specifications are subject to change without notice or obligation. All Tradesman Manufacturing products are guaranteed against defective material.

DUCT FITTING - REDUCER

TRADESMAN

MANUFACTURING

Product Code	20Large Dimension	Small Dimension	Box Qty
DRE/2216/26	22" x 8"	16" x 8"	5
DRE/2218/26	22" x 8"	18" x 8"	5
DRE/2220/26	22" x 8"	20" x 8"	5
DRE/2418/26	24" x 8"	18" x 8"	5
DRE/2420/26	24" x 8"	20" x 8"	5
DRE/2422/26	24" x 8"	22" x 8"	5
DRT/1210/26	12" x 10"	10" x 10"	5
DRT/1410/28	14" x 10"	10" x 10"	5
DRT/1412/28	14" x 10"	12" x 10"	5
DRT/1610/28	16" x 10"	14" x 10"	5
DRT/1612/28	16" x 10"	12" x 10"	5
DRT/1614/28	16" x 10"	14" x 10"	5
DRT/1812/28	18" x 10"	12" x 10"	5
DRT/1814/28	18" x 10"	14" x 10"	5
DRT/1816/28	18" x 10"	16" x 10"	5
DRT/2014/26	20" x 10"	14" x 10"	5
DRT/2016/26	20" x 10"	16" x 10"	5

Product Code	Large Dimension	Small Dimension	Box Qty
DRT/2018/26	20" x 10"	18" x 10"	5
DRT/2216/26	22" x 10"	16" x 10"	5
DRT/2218/26	22" x 10"	18" x 10"	5
DRT/2220/26	22" x 10"	20" x 10"	5
DRT/2418/26	24" x 10"	18" x 10"	5
DRT/2420/26	24" x 10"	20" x 10"	5
DRT/2422/26	24" x 10"	22" x 10"	5



[\(403\) 327-9871](tel:4033279871)

sales@tradesmanmfg.ca

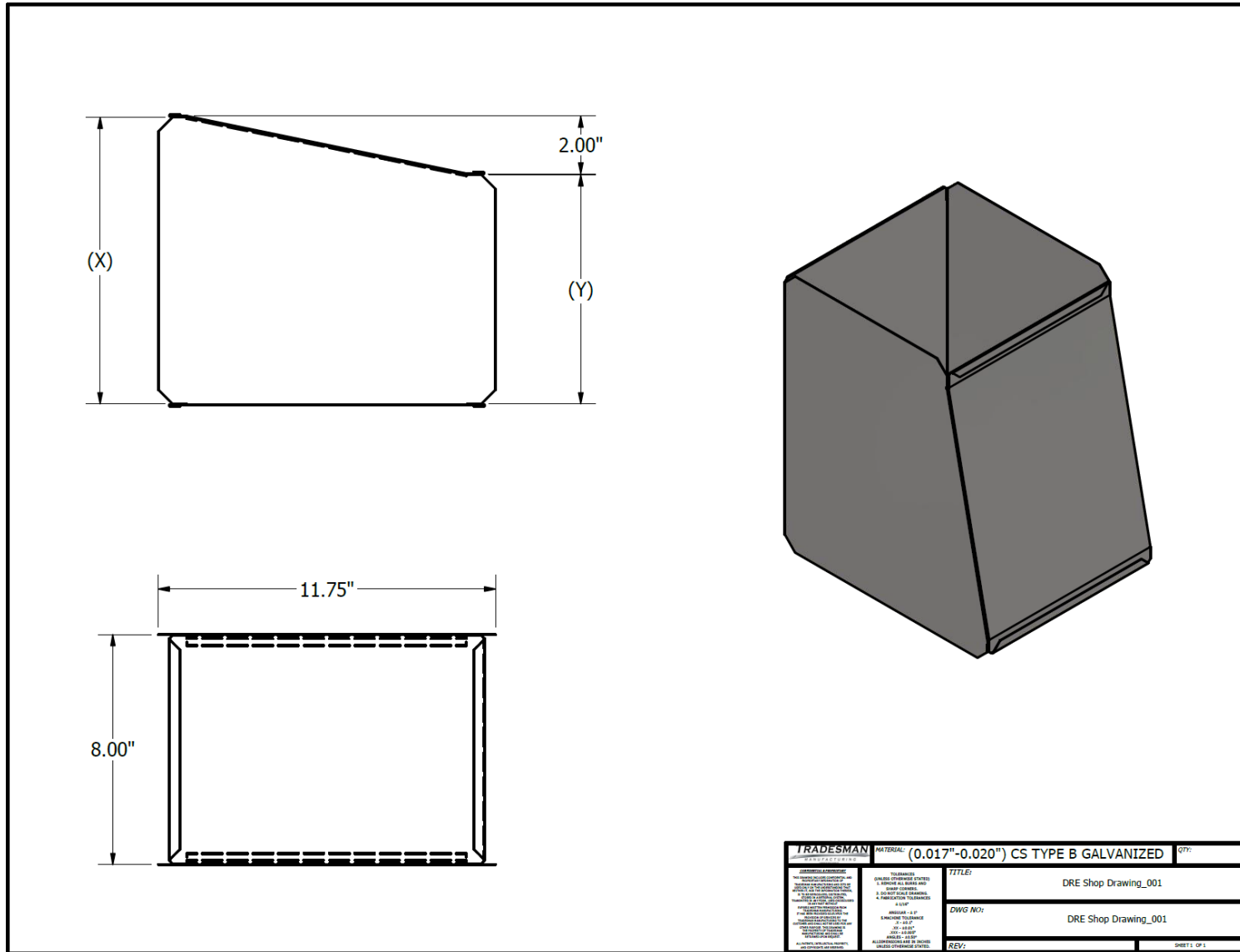
www.tradesmanmfg.ca

Specifications are subject to change without notice or obligation. All Tradesman Manufacturing products are guaranteed against defective material.

DUCT FITTING - REDUCER

TRADESMAN

MANUFACTURING



[\(403\) 327-9871](tel:(403)327-9871)

sales@tradesmanmfg.ca

www.tradesmanmfg.ca

Specifications are subject to change without notice or obligation. All Tradesman Manufacturing products are guaranteed against defective material.

