

INSTALLATION INSTRUCTIONS:

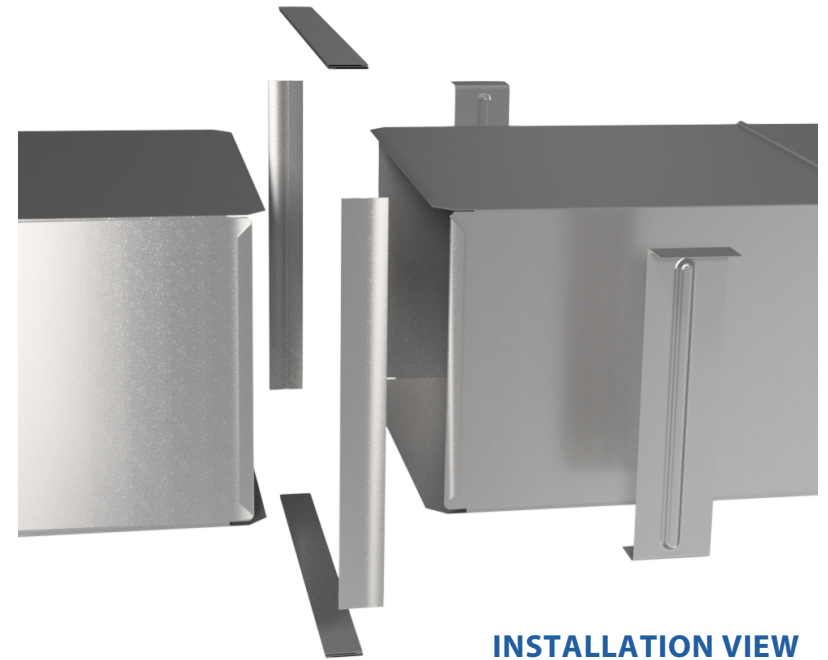
- 1- Use drive and slip/standing cleats to connect sections of duct together.
- 2- Install 4 duct hangers for every section of duct.
- 3- See cleat and hanger instructions for install.

NOTE:

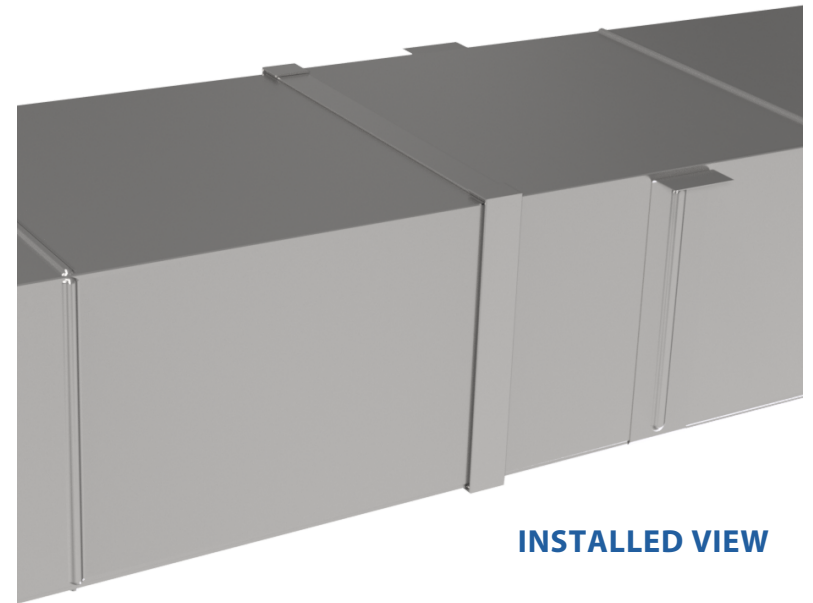
Used in residential applications. Industrial tape, foil, or sealer can be used. Return air ducts are flush with floor joists. Supply air ducts are 1" below joists. 12" from end, mark duct line and screw hangers first then hang the duct.

WARNING!!

Improper installation may result in damage to product or inefficiencies in the system. Use proper PPE and equipment during cutting, bending, and installation processes. If local codes differ from these instructions follow local building codes.



INSTALLATION VIEW



INSTALLED VIEW

[\(403\) 327-9871](tel:4033279871)

sales@tradesmanmfg.ca

www.tradesmanmfg.ca