

DESCRIPTION

The Tradesman wall thimble is used to provide a sleeve for exhaust pipe from inside a building to outside while keeping 1" clearance from vent pipe.

CONSTRUCTION

Made of 24GA galvanized.

FEATURES

Precut screw holes.

GUARANTEE

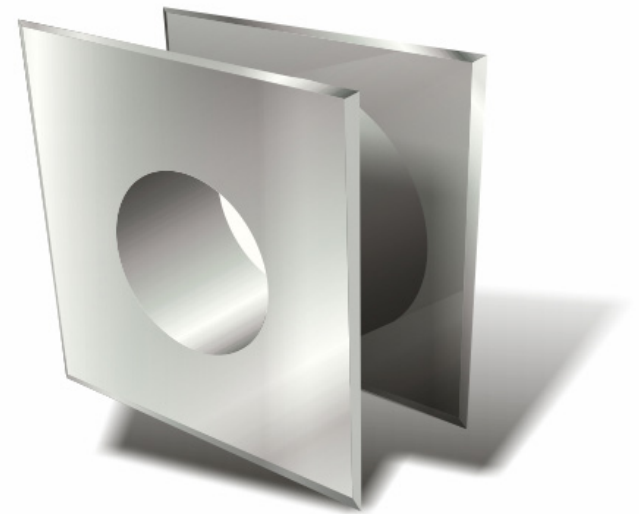
Made in Canada. All Tradesman Manufacturing products are guaranteed against defective material.

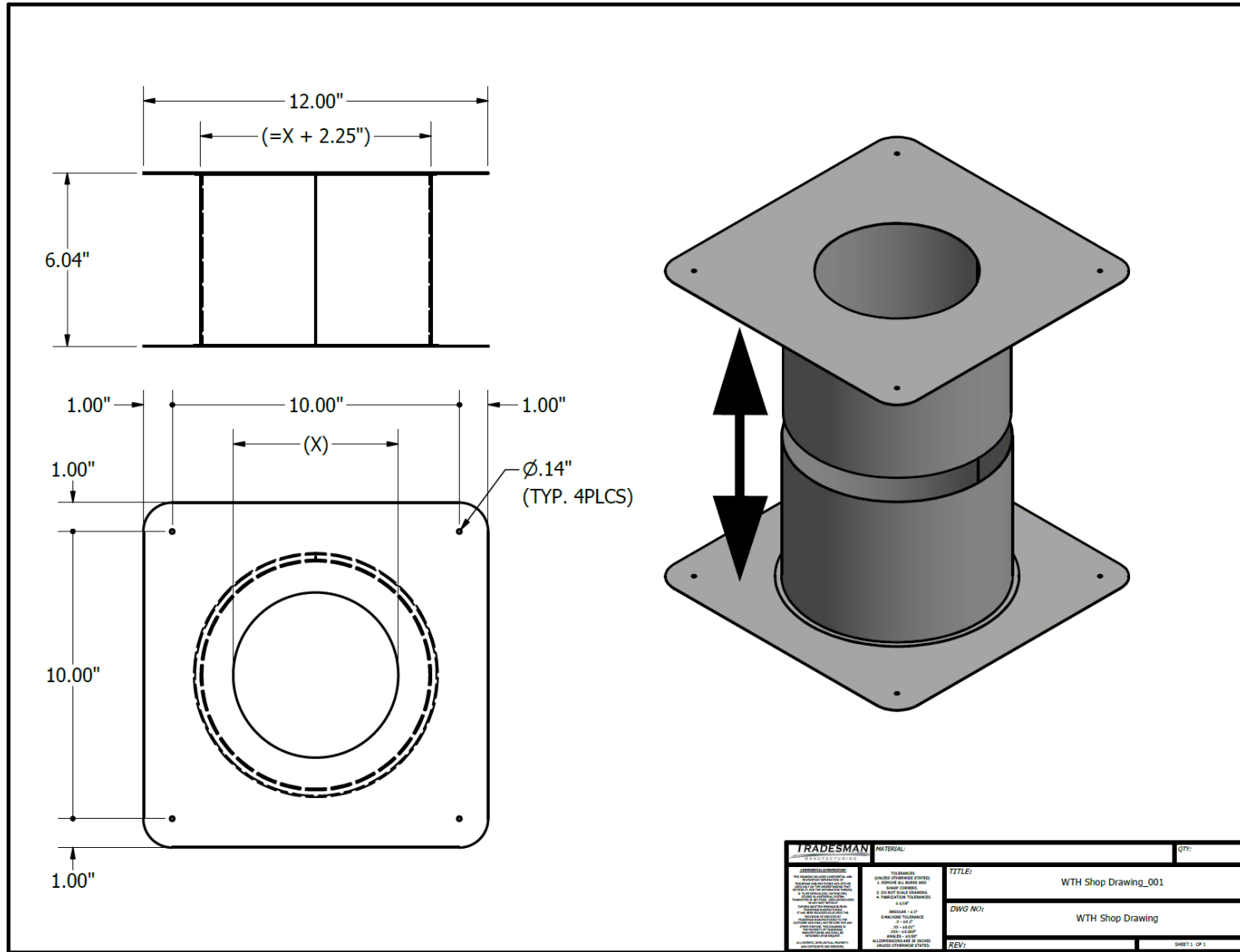
OPTIONAL CONSTRUCTION

Custom sizes available upon request to suit any and all applications.

Optional stainless, aluminum, or satin coat.

Product Code	Body Diameter (Y)	Box Qty
WTH/0003/26	3	Made to Order
WTH/0004/26	4	14
WTH/0005/26	5	12
WTH/0006/26	6	Made to Order





TRADESMAN <small>MANUFACTURING</small> TRADESMAN MANUFACTURING, INC. 1000 W. 10TH AVENUE, SUITE 100 DENVER, CO 80202 (303) 733-1100 WWW.TRADESMANMFG.COM TRADESMAN MANUFACTURING, INC. 1000 W. 10TH AVENUE, SUITE 100 DENVER, CO 80202 (303) 733-1100 WWW.TRADESMANMFG.COM	MATERIAL:	QTY:
	TITLE: WTH Shop Drawing_001	
	DWG No: WTH Shop Drawing	
	REV:	SHEET 1 OF 1

[\(403\) 327-9871](tel:(403)327-9871)

sales@tradesmanmfg.ca

www.tradesmanmfg.ca

Specifications are subject to change without notice or obligation. All Tradesman Manufacturing products are guaranteed against defective material.