

# SELECTRONIC® SENSOR-OPERATED TOILET FLUSH VALVE, DUAL FLUSH 1.6/1.1 GPF PWRX™ 10-YEAR BATTERY SYSTEM



### GENERAL DESCRIPTION:

Exposed, sensor-operated Selectronic® Toilet Flush Valve for floor-mounted or wall-hung 1-1/2" top spud bowls. PWRX 10-Year Battery System.

### PRODUCT FEATURES:

- **PWRX™ Battery System:** Advanced battery & electronics reduce the downtime and maintenance costs associated with changing batteries
- **Safety Circuitry** prevents overheating of the battery in case of short circuit, protecting the electronics
- **No Routine Maintenance:** no diaphragms to replace; no filters to clean
- **Self-Cleaning Piston** with integral wiper spring significantly reduces clogging and maintenance
- **Selectronic® Proximity System** with universal sensor provides hygienic, "hands free" operation
- **Dezincification Resistant** semi-red brass alloy
- **Fully Mechanical Manual Override Button** can flush the valve without power
- **Fail-Safe:** Valve automatically closes upon loss of power or water pressure and does not need to be reset
- **Adjustable Sanitary Flush** cleans the fixture & maintains the trap seal.
- **Chemical Resistant EPDM Seals** for extended life
- **High Back Pressure Vacuum Breaker**
- **Adjustable Tailpiece**
- **Range can be adjusted manually or with optional remote control**
- **No external volume adjustment.**
- **Can be installed left or right handed**

### MODEL NUMBER:

- ❑ **6066.761.002** Exposed, sensor-operated toilet flush valve, Dual Flush 1.6/1.1 gpf.  
Inlet includes 1" sweat solder kit and angle stop with back flow protection and vandal-resistant cap.  
Outlet includes 1-1/2" high back pressure vacuum breaker with spud coupling and flange.
- ❑ **6066.561.002** Retrofit Valve Only, Dual Flush 1.6/1.1 gpf.

### DUAL FLUSH OPERATION

User in detection zone < 60 seconds, 1.1 gallon flush  
User in detection zone ≥ 60 seconds, 1.6 gallon flush

### OPERATING PRESSURE:

25 psi (flowing) - 80 psi (static)

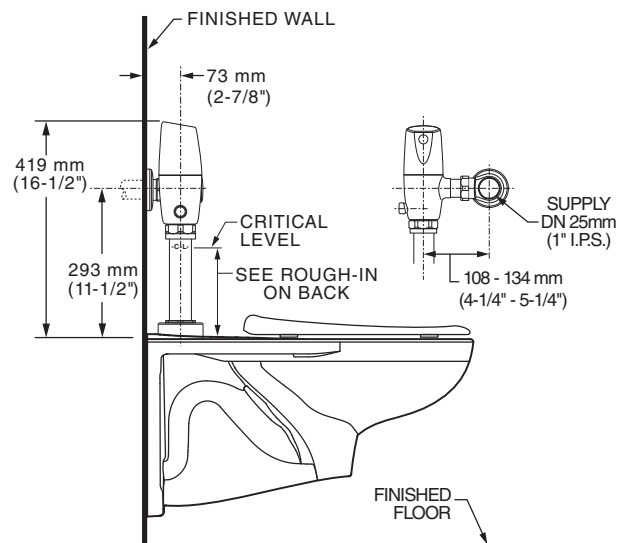
### FLOW REQUIREMENT:

25 gpm (94.6 L/min.)

### BATTERY LIFE:

10 years (4,000 flushes per month)

### TYPICAL WATER CLOSET INSTALLATION: AFWALL™ TOILET SHOWN



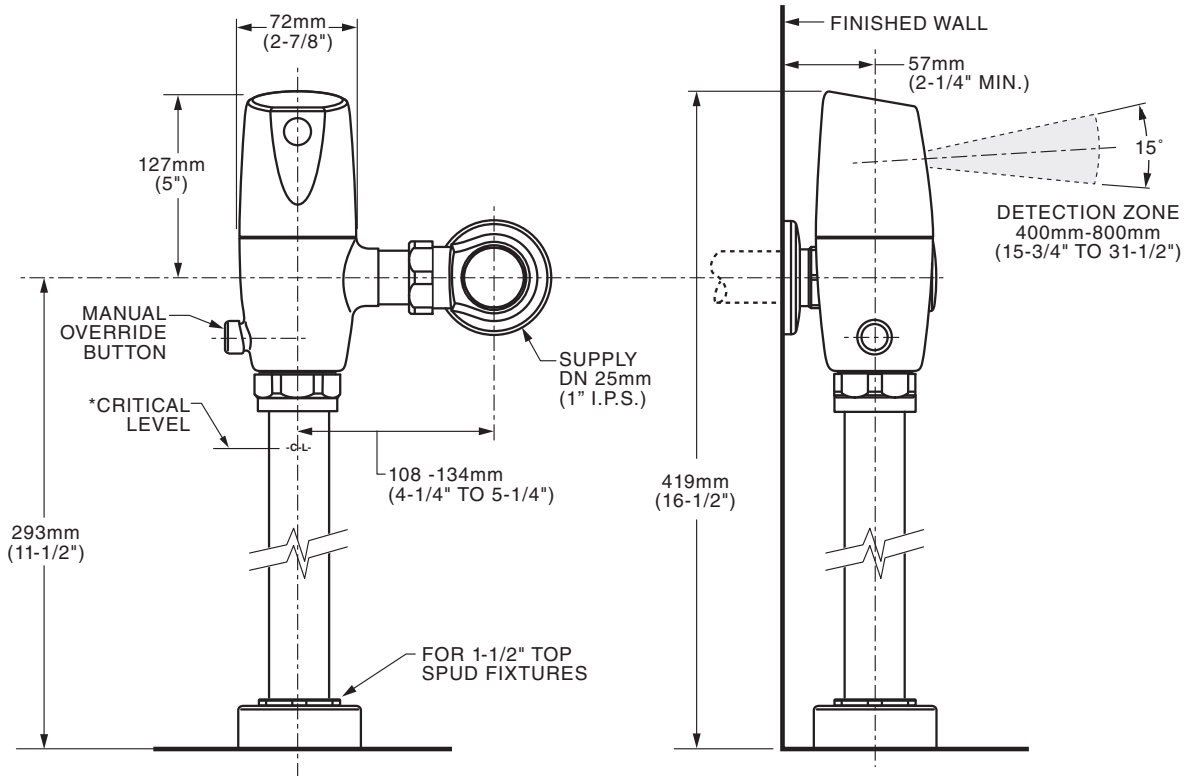
### RECOMMENDED SPECIFICATION:

Electronic, sensor activated toilet flush valve shall feature self-cleaning piston valve with integral wiper spring in refill orifice to prevent clogging. Includes a long-life battery pack (with 10 year life) and fully mechanical manual override that can flush the valve without power. Includes semi-red brass valve body and metal cover with chrome finish. Includes angle stop with back-flow protection & vandal-resistant cap. Sweat solder kit and high back pressure vacuum breaker also included. Dual Flush 1.6/1.1 gpf (6.0/4.2 Lpf) flush valve shall be American Standard Model # 6066.761.002.

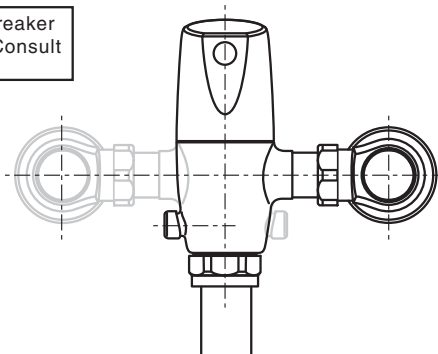
**LISTINGS:**

- ASSE 1037
- ANSI/ASME A112.19.2
- ADA Compliant

**Roughing-in Dimensions**



\*Note: The Critical Line (-C-L-) on Vacuum Breaker must typically be 6" (152mm) above fixture. Consult Codes for details.



**Right or Left Hand Installation**