

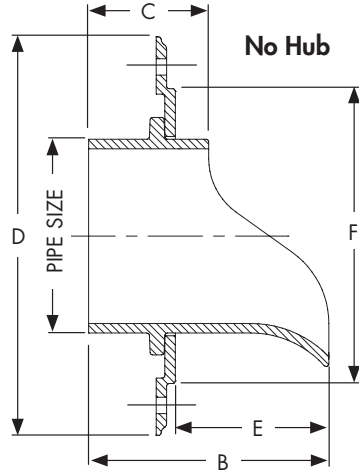
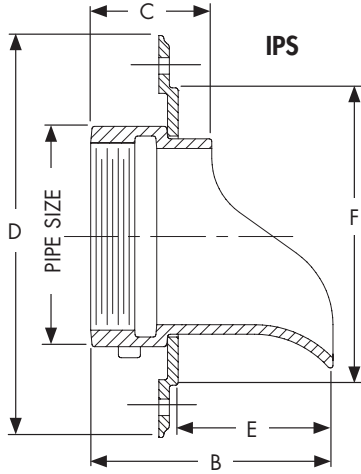


RD-940

Tag: _____

Downspout Nozzle

SPECIFICATION: Watts Drainage Products RD-940 cast nickel bronze downspout nozzle with anchor flange, countersunk mounting holes, and IPS threaded (standard), no hub, or push-on connection.

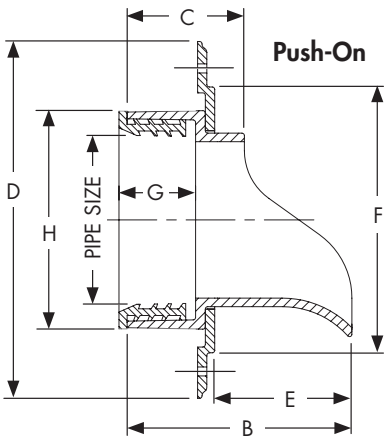


Options

Suffix	Description	
-83	Stainless Steel Bird Screen	<input type="checkbox"/>
-NH	No Hub No Add	<input type="checkbox"/>
-P	Push-on Connection (3,4,6,8" Only) No Add	<input type="checkbox"/>
-US	Buy American Compliant (3,4,6,8" IPS/NH Only)	<input type="checkbox"/>

IPS THREADED CONNECTION

Model	Pipe Size	B	C	D	E	F
RD-942	2" (51)	5-1/4" (133)	2-1/4" (57)	6-3/4" (171)	3-1/2" (89)	4-3/4" (121)
RD-943	3" (80)	5-1/4" (133)	2-1/2" (63)	8-1/4" (210)	3-1/2" (89)	6-3/8" (162)
RD-944	4" (100)	5-1/4" (133)	2-3/4" (70)	9-1/8" (232)	3-1/2" (89)	7" (178)
RD-946	6" (152)	5-1/4" (133)	2-3/4" (70)	11-3/8" (289)	3-1/2" (89)	9" (229)
RD-948	8" (200)	6" (152)	3" (76)	12-1/2" (318)	4" (102)	11" (279)



NO HUB CONNECTION

Model	Pipe Size	B	C	D	E	F
RD-942-NH	2" (51)	5-1/4" (133)	2-1/4" (57)	6-3/4" (171)	3-1/2" (89)	4-3/4" (121)
RD-943-NH	3" (80)	5-1/4" (133)	2-1/2" (63)	8-1/4" (210)	3-1/2" (89)	6-3/8" (162)
RD-944-NH	4" (100)	5-1/4" (133)	2-3/4" (70)	9-1/8" (232)	3-1/2" (89)	7" (178)
RD-945-NH	5" (130)	5-1/4" (133)	3" (76)	9-1/4" (235)	3-3/8" (86)	7-1/4" (184)
RD-946-NH	6" (152)	5-1/4" (133)	2-3/4" (70)	11-3/8" (289)	3-1/2" (89)	9" (229)
RD-948-NH	8" (200)	6" (152)	3" (76)	12-1/2" (318)	4" (102)	11" (279)
RD-9410-NH	10" (250)	5-3/4" (146)	3" (76)	15-1/4" (387)	3-3/4" (95)	13-1/16" (332)
RD-9412-NH	12" (305)	6" (152)	3-1/4" (83)	17-1/4" (438)	3-3/4" (95)	15-1/16" (383)

PUSH-ON CONNECTION

Model	Pipe Size	B	C	D	E	F	G	H
RD-943P	3" (80)	5-3/4" (146)	3" (80)	8-1/4" (210)	3-1/2" (89)	6" (152)	1-3/4" (44)	4-3/4" (121)
RD-944P	4" (100)	5-3/4" (146)	3" (80)	9-1/8" (232)	3-1/2" (89)	6-3/4" (171)	1-3/4" (44)	5-3/4" (146)
RD-946P	6" (152)	6" (152)	3-3/4" (95)	11-3/8" (289)	3-1/2" (89)	8-3/4" (171)	2" (51)	7-3/4" (197)
RD-948P	8" (200)	7" (178)	4" (102)	13-3/8" (340)	34" (102)	10-3/4" (273)	2-1/2" (63)	10" (254)

Job Name _____ Contractor _____

Job Location _____ Contractor's P.O. No. _____

Engineer _____ Representative _____

WATTS Drainage reserves the right to modify or change product design or construction without prior notice and without incurring any obligation to make similar changes and modifications to products previously or subsequently sold. See your WATTS Drainage representative for any clarification. Dimensions are subject to manufacturing tolerances.



Specification Drainage Products

USA: 100 Watts Road, Spindale, NC, 28160-2298; TEL: 828-288-2179 TOLL-FREE: 1-800-338-2581 www.watts.com