

For Commercial Applications

Job Name _____
Job Location _____
Engineer _____
Approval _____

Contractor _____
Approval _____
Contractor's P.O. No. _____
Representative _____
SKU _____

Safety-Set™

The Dormont Safety-Set™ positioning system with Antimicrobial additive is designed to return caster-mounted kitchen equipment to a specific location after cleaning or maintenance. Often required for code compliance, positioning systems like the Safety-Set ensure that gas equipment is situated beneath fire suppression or ventilation systems.

Benefits

- Can be used with all caster-mounted equipment including cooking appliances, warming carts, salad bars, and refrigerators
- Crush Resistant
- **Antimicrobial** additive inhibits the growth of harmful bacteria, mold and mildew
- Resistant to oils and greases
- Open-floor design allows appliance to rest level on the floor to ensure even cooking

Features

- Compatible with 4", 5", and 6" casters
- Certified to NSF/ANSI Standard 169 – Special Purpose Food Equipment & Devices
- Flexible, tough injection molded Thermoplastic Polyurethane (TPU) with an Antimicrobial additive
- Able to withstand 1,000 PSI of crush pressure

Ordering Instructions

There are two ways you can purchase the Safety-Set product. You can purchase it individually boxed using part number 0241002 or by adding the letters "PS" to the end of the Blue Hose part number. For example, by adding the Safety-Set to Blue Hose Kit 1675KIT48, you simply order 1675KIT48PS.

NOTICE

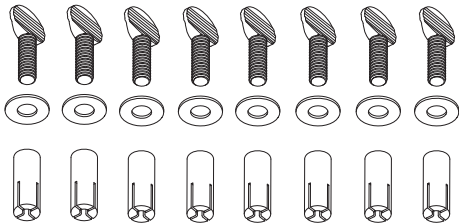
The information contained herein is not intended to replace the full product installation and safety information available or the experience of a trained product installer. You are required to thoroughly read all installation instructions and product safety information before beginning the installation of this product.

SCAN FOR MORE INFO



Open floor design allows appliance to sit firmly on the floor to ensure even cooking.

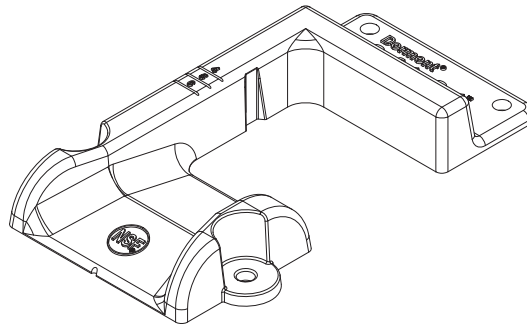
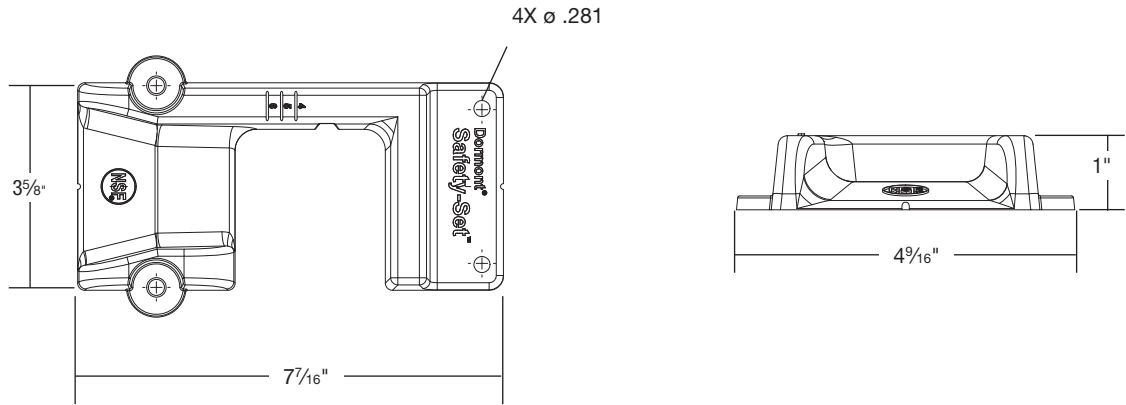
Safety-Set ensures that the appliance is situated beneath the fire suppression or ventilation systems.



Thumbscrew hardware pack

Dormont product specifications in U.S. customary units and metric are approximate and are provided for reference only. For precise measurements, please contact Dormont Technical Service. Dormont reserves the right to change or modify product design, construction, specifications, or materials without prior notice and without incurring any obligation to make such changes and modifications on Dormont products previously or subsequently sold. Refer to the owner's manual for warranty information.

Dimensions



USA: T: (800) 367-6668 • Dormont.com
Canada: T: (888) 208-8927 • Dormont.ca
Latin America: T: (52) 55-4122-0138 • Dormont.com