



FEATURES

Ductile Iron Construction

Powder coated for Corrosion Resistance

Compact design for greater space availability in the basin

Designed for simple installation and removal on most pumps

Innovative design allows for pump service without the need to disconnect plumbing or physically enter the basin

Units include a SS chain kit - see descriptions

Base units accept different size guide pipes (not supplied)

Optional non-sparking bronze guide plate available for 3" and 4" flanged discharge models with HB suffix

Upper guide bracket included in all packages

Intermediate guide brackets available as an option

Guide and Disconnect Systems Less Rails

1¼" THROUGH 6" CONNECTIONS

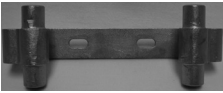




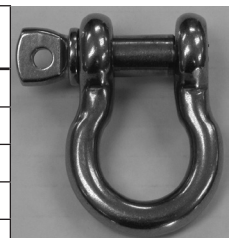
CentriPro
a xylem brand

CONERY BASE ELBOW RAIL SYSTEM

CentriPro Order #	Connections	Description	Usable Rail Sizes	Weight (lbs.)	Use With	Maximum Pump Weight (lbs.)
CBE1220	1¼" x 2"	Kit Includes: • (1) Ductile Iron Base Elbow • (1) Ductile Iron Pull-out • (1) SS Pump Adapter Flange and Mounting Hardware • (1) SS Lower Guide Plate Bracket and Mounting Hardware (Attached) • (2) BUNA-N O-rings • (1) SS Upper Guide Rail Bracket (UGB-STNLS) • (1) SS 3/16" Lifting Chain (7') • (1) SS 3/16" Lifting Chain (3') • (3) SS ¼" SPA Shackles • (1) SS ¼" Quick Link • (1) SS Lifting Eyebolt	¾", 1"	51	Grinder or effluent pumps with 1¼" discharge	200
CBE1520	1½" x 2"		¾", 1"	51	Sump and effluent pumps with 1½" discharge and stainless steel sewage pumps with 1½" discharge for 1⅜" solids	200
CBE2020	2" x 2"		¾", 1"	55	Sewage or effluent pumps with 2" discharge	200
CBE3030	3" x 3"		¾", 1", 1¼"	76	2" Solids handling sewage pumps and 3" NPT threaded vertical discharge (pumps equipped with A1-3, 3" flange)	400
CBE2020CP	2" x 2"		¾", 1"	76	2" Solids handling sewage pumps and 2" NPT threaded vertical discharge	200
CBE3030H	3" x 3"		¾", 1", 1¼"	66	2½" Solids handling pumps with 3" 125# ANSI flanged discharge.	400
CBE3030HB	3" Flange x 3" NPT non-sparking		¾", 1", 1¼"	68	2½" Solids handling pumps with 3" 125# ANSI flanged discharge.	400
CBE4040H	4" Flange		1½", 2"	157	3" Solids handling pumps with 4" 125# ANSI flanged discharge.	1,000
CBE4040HB	4" Flange non-sparking		1½", 2"	163	3" Solids handling pumps with 4" 125# ANSI flanged discharge.	1,000
CBE6060	6" Flange		2"	200	3½" Solids handling pumps with 6" 125# ANSI flanged discharge.	1,000
CBE6060B	6" Flange non-sparking		2"	200	3½" Solids handling pumps with 6" 125# ANSI flanged discharge.	1,000

CONERY BASE ELBOW RAIL SYSTEM OPTIONAL COMPONENTS

CentriPro Order #	Vendor Part #	Pictures	Description
CBR075	IGB075		SS Intermediate guide bracket - use with ¾" pipe
CBR100	IGB100		SS Intermediate guide bracket - use with 1" pipe
CBR125	IGB0125		SS Intermediate Guide Bracket - use with 1¼" pipe
CPA12	PAF125		SS Pump adapter - for pumps with 1¼" NPT discharge
CPA15	PAF150		SS Pump adapter - for pumps with 1½" NPT discharge
CPA20	PAF200		SS Pump adapter - for pumps with 2" NPT discharge
CPA30	PAF300		SS Pump adapter - for pumps with 3" NPT discharge
CUGBS			SS Upper Guide Rail Bracket: For use with ¾", 1" and 1¼" Guide Rails (stainless steel recommended)
CUGBG			Galvanized Steel Upper Guide Rail Bracket: For use with ¾", 1" and 1¼" Guide Rails (stainless steel recommended)



SHACKLE

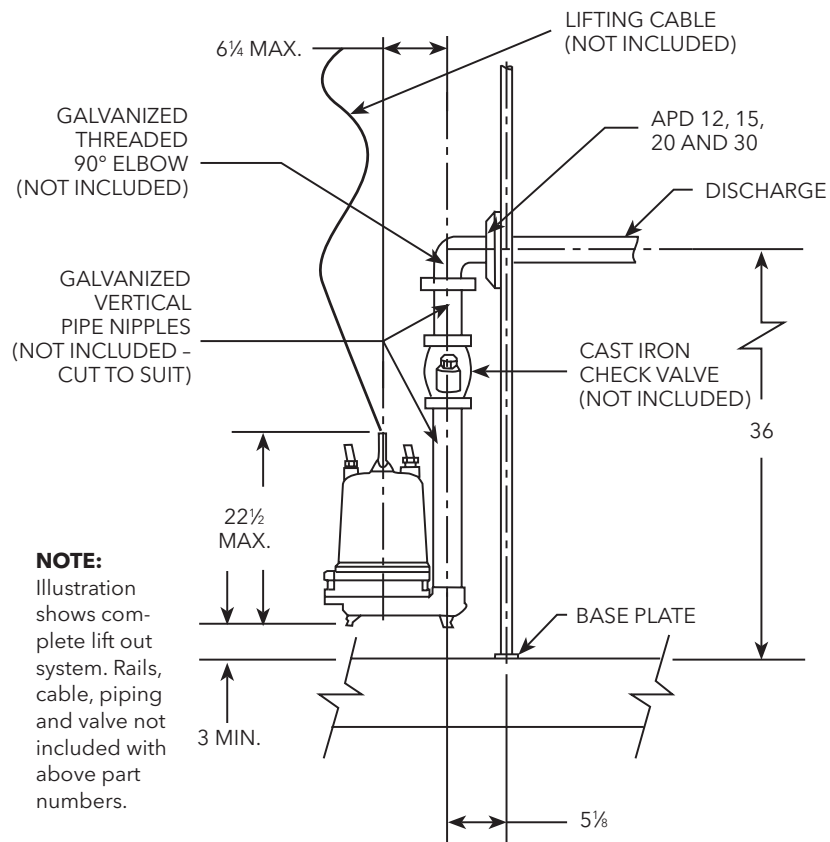
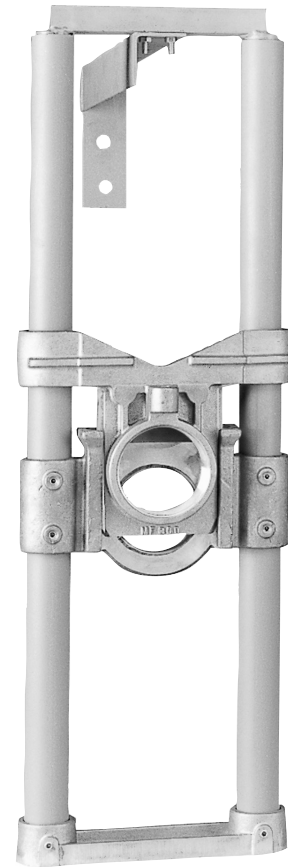


QUICK LINK

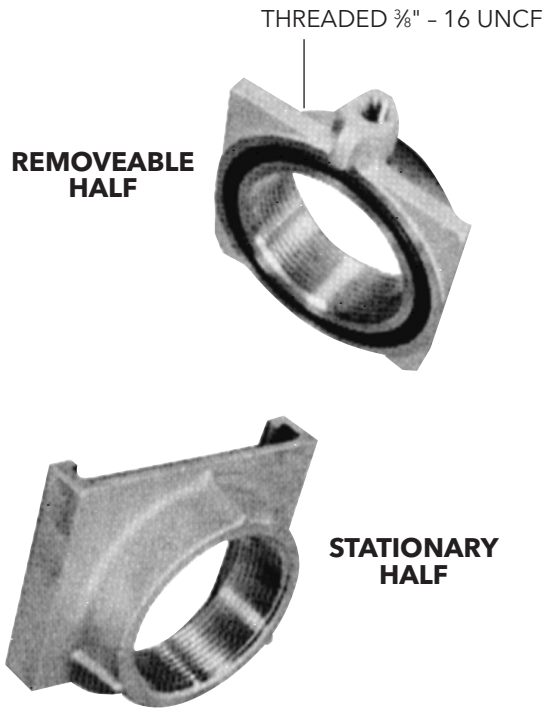
UNASSEMBLED PUMP DISCONNECT RAIL SYSTEM KIT FEATURES

- 1¼, 1½ and 2" bronze disconnect and bottom brackets are non-sparking and corrosion resistant. Top bracket is vinyl-coated steel. The 60° cut-out allows removable half of disconnect to be removed from the guide rails without removing the top bracket. System will accept ¾" PVC, stainless steel or galvanized steel guide rails (**not supplied by CentriPro**).
- 3" Bronze disconnect is built to satisfy the greater demands of 3" pumps. System accepts 1¼" PVC, stainless steel or galvanized steel guide rails (**not supplied by CentriPro**).

Pump Discharge Size	Part No.	Teflon O-Ring
1¼"	APD12	AR32T
1½"	APD15	AR35T
2"	APD20	AR33T
3"	APD30	AR36T



LIFT-OUT ADAPTERS EFFLUENT AND SEWAGE



- Available in 1¼", 1½" and 2" NPT pipe connection.
- Recommended for shallow basins where guide rails are not necessary.
- All brass construction with teflon coated O-ring.

Order Number	Discharge Pipe Connection	Teflon O-Ring
AF-12	1¼" NPT	AR32T
AF-15	1½" NPT	AR35T
AF-20	2" NPT	AR33T

xylem
Let's Solve Water

Xylem Inc.
2881 East Bayard Street Ext., Suite A
Seneca Falls, NY 13148
Phone: (866) 325-4210
Fax: (888) 322-5877
www.centripro.com

CentriPro is a trademark of Xylem Inc. or one of its subsidiaries.
© 2017 Xylem Inc. BCPGDS R2 April 2017