

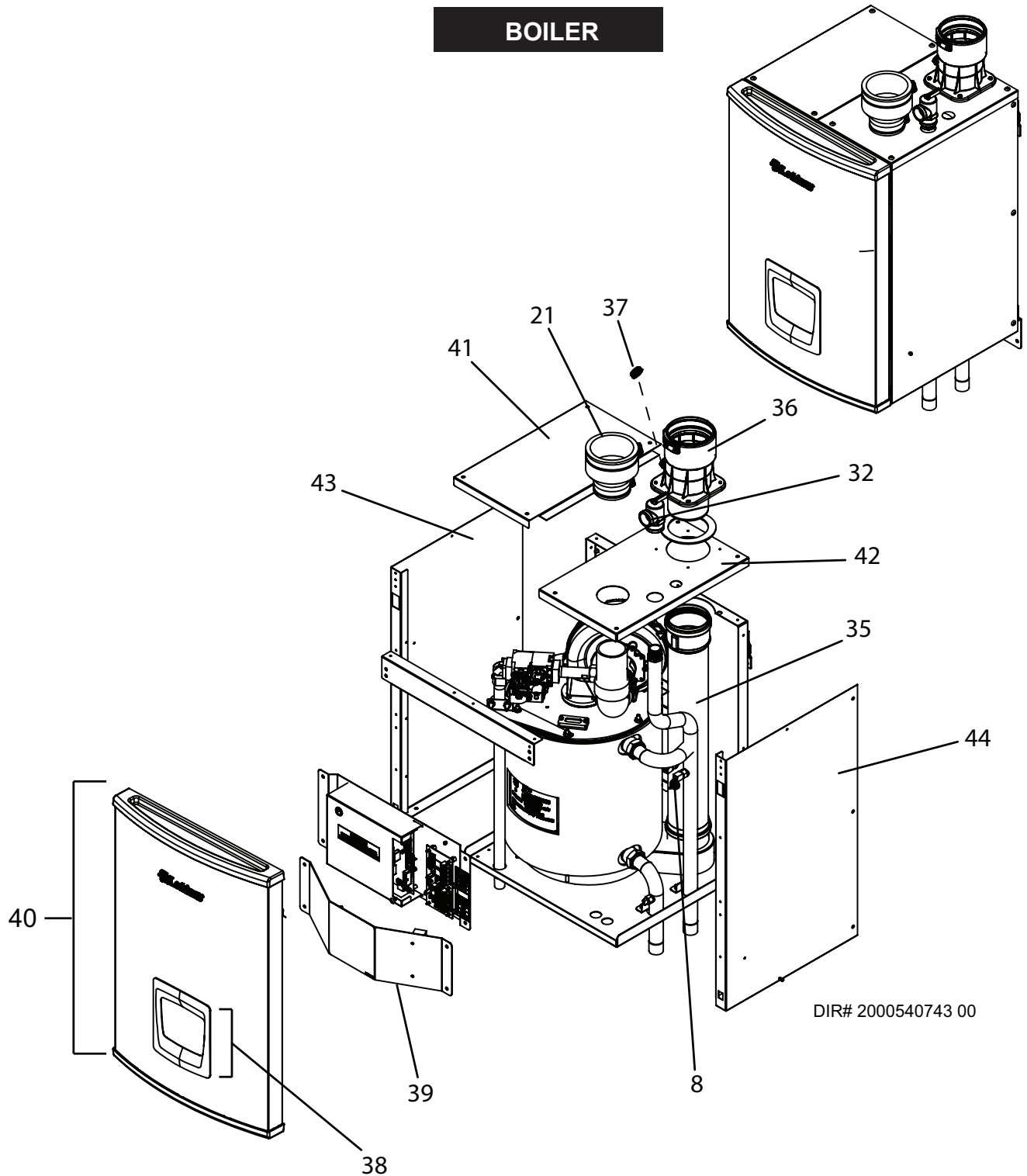


**PARTS & SERVICE DEPARTMENT**  
 Nashville, Tennessee  
 877-554-5544 • Fax: 615-882-2918  
 parts\_team@lochinvar.com  
 www.lochinvar.com

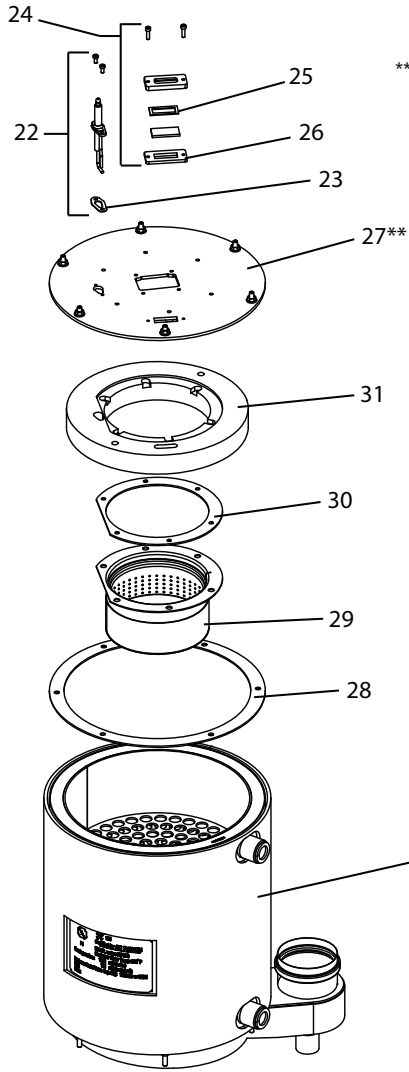
**Replacement Parts List**

**Noble Boiler & Combi**  
 NKB 080 - 199 (N,L)  
 NKC 110 - 199 (N,L)  
 Series 100 - 101 & 110 - 111

**BOILER**

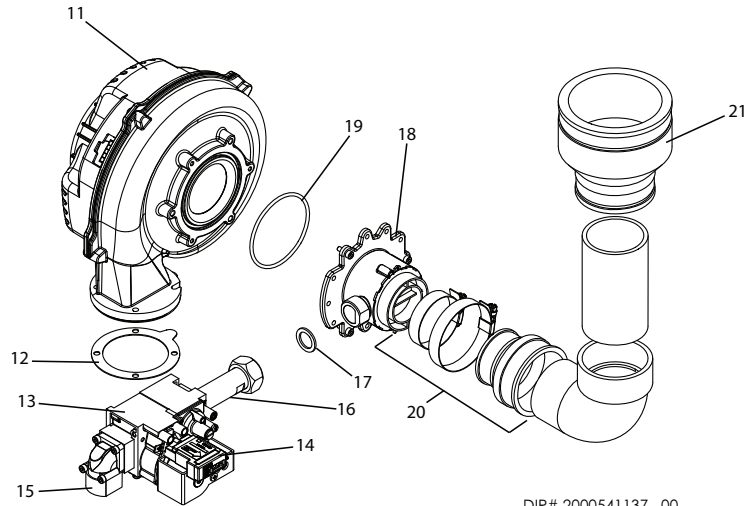


# HEAT EXCHANGER



\*\* The Heat Exchanger Top Plate Assembly includes item numbers 12, 17, 23, 25, 26, 27, 28, 30, and 31.

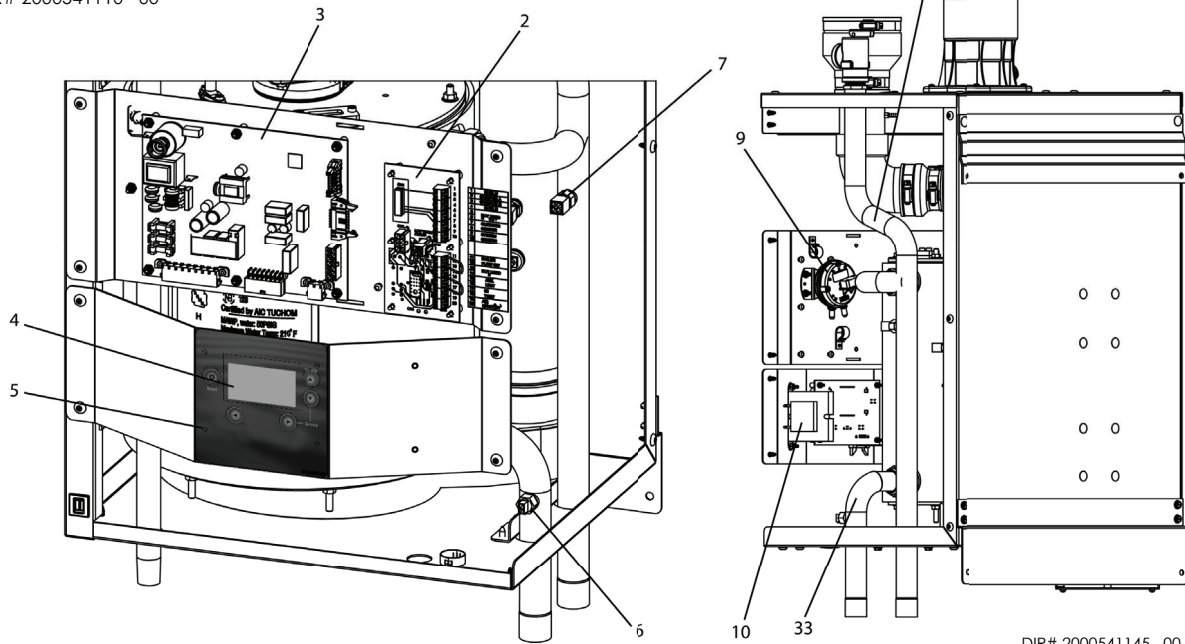
# GAS TRAIN



DIR# 2000541137 00

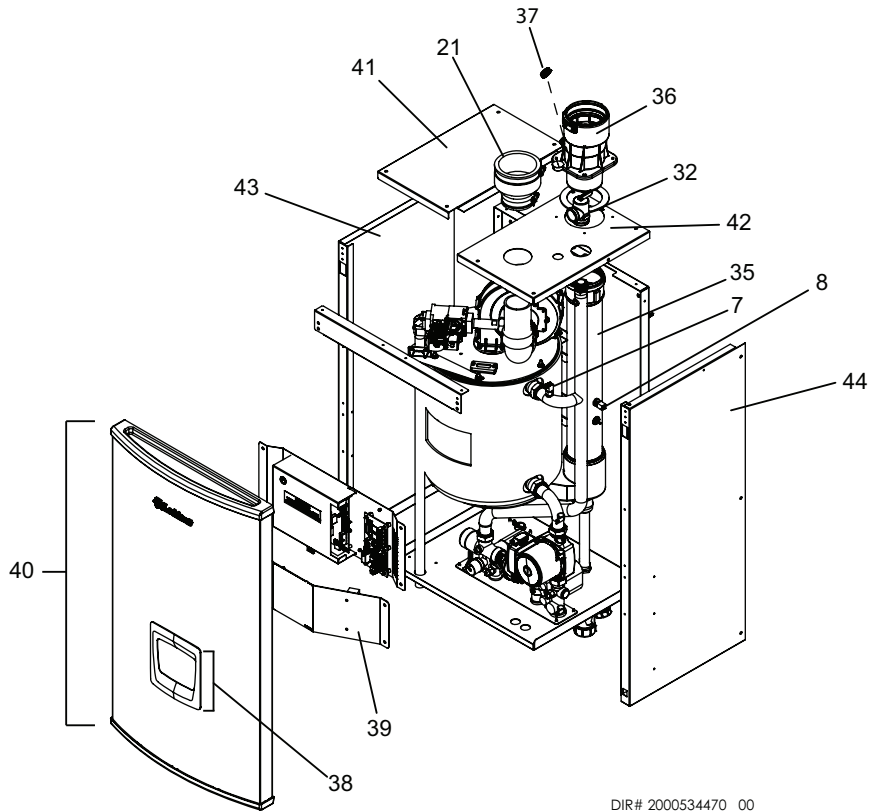
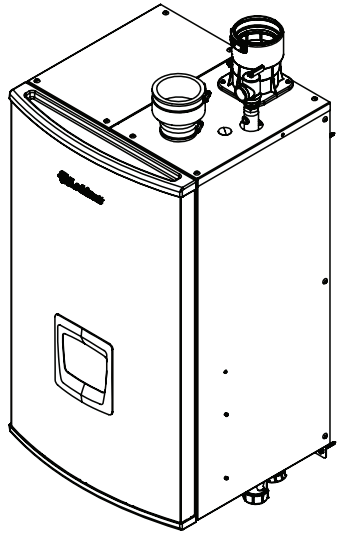
# BOILER CONTROLS

DIR# 2000541110 00

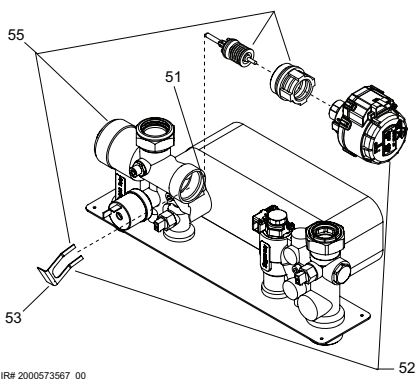


DIR# 2000541145 00

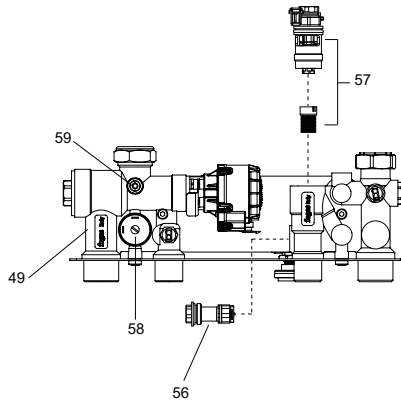
# COMBI



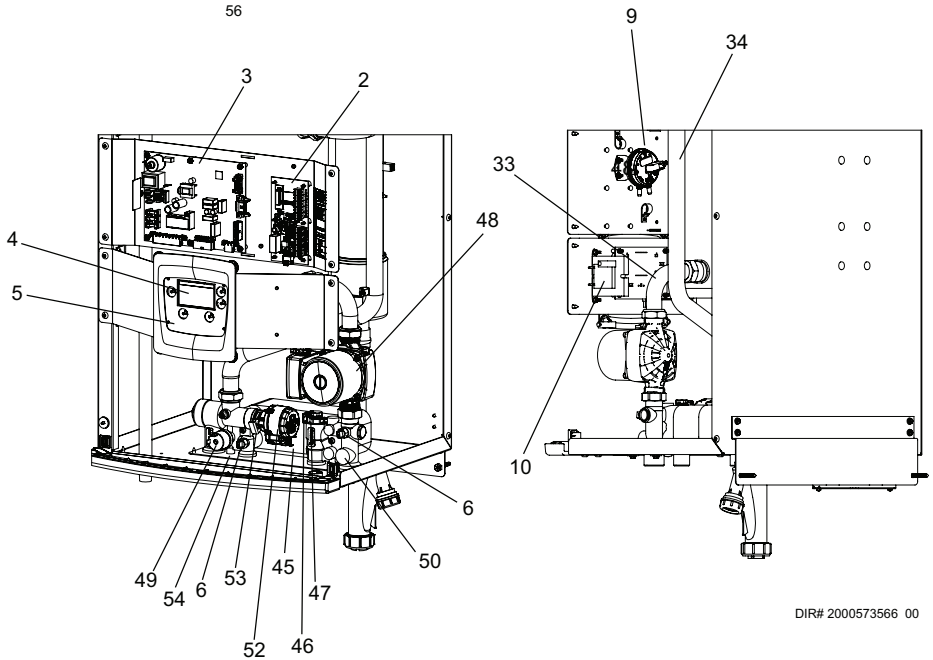
DIR# 2000534470 00



DIR# 2000573567 00



# COMBI CONTROLS



DIR# 2000573566 00

ITEM NO.	PART NO.	DESCRIPTION	MODEL
<b>HEAT EXCHANGER ASSEMBLIES</b>			
1	100275478	HEAT EXCHANGER ASSEMBLY	NKB / NKC 110
1	100275479	HEAT EXCHANGER ASSEMBLY	NKB / NKC 150
1	100275480	HEAT EXCHANGER ASSEMBLY	NKB / NKC 199
1	100284352	HEAT EXCHANGER ASSEMBLY	NKB 080
<b>CONTROLS</b>			
2	<b>100275502*</b>	CONNECTION BOARD	NKC 110 - 199
2	<b>100284350*</b>	CONNECTION BOARD	NKB 080 - 199
3	<b>100275507*</b>	CONTROL BOARD, MAIN	NKC 110
3	<b>100275508*</b>	CONTROL BOARD, MAIN	NKC 150
3	<b>100275510*</b>	CONTROL BOARD, MAIN	NKC 199
3	100275522	CONTROL BOARD, MAIN - HIGH ALTITUDE	NKC 110
3	100275523	CONTROL BOARD, MAIN - HIGH ALTITUDE	NKC 150
3	100275524	CONTROL BOARD, MAIN - HIGH ALTITUDE	NKC 199
3	<b>100284347*</b>	CONTROL BOARD, MAIN	NKB 080
3	<b>100284346*</b>	CONTROL BOARD, MAIN	NKB 110
3	<b>100284345*</b>	CONTROL BOARD, MAIN	NKB 150
3	<b>100284344*</b>	CONTROL BOARD, MAIN	NKB 199
3	100284342	CONTROL BOARD, MAIN - HIGH ALTITUDE	NKB 080
3	100284341	CONTROL BOARD, MAIN - HIGH ALTITUDE	NKB 110
3	100284330	CONTROL BOARD, MAIN - HIGH ALTITUDE	NKB 150
3	100284328	CONTROL BOARD, MAIN - HIGH ALTITUDE	NKB 199
4	100275525	CONTROL BOARD, USER INTERFACE	ALL
5	100275526	LABEL, CONTROL OVERLAY	ALL
6	<b>100208560*</b>	SENSOR, INLET / DHW	ALL
7	<b>100208547*</b>	SENSOR, OUTLET / HIGH LIMIT	ALL
8	<b>100275527*</b>	SENSOR, FLUE W/ GROMMET	ALL
-	100208834	SENSOR, OUTDOOR AIR	ALL
9	<b>100275596*</b>	SWITCH, PRESSURE	ALL
10	100208230	TRANSFORMER - 24V, 40VA	ALL
<b>GAS TRAIN</b>			
11	<b>100266999*</b>	FAN ASSEMBLY W/ GASKET	NKB 080-150 / NKC 110-150
11	<b>100318771*</b>	FAN ASSEMBLY W/ GASKET	NKB / NKC 199
12	<b>100208101*</b>	GASKET, FAN	ALL
13	100275532	GAS VALVE ASSEMBLY W/ GASKET	ALL
14	100275533	SWITCH, GAS VALVE - ON/OFF	ALL
15	100275534	FLANGE, GAS VALVE W/ GASKET	ALL
16	100276451	ADAPTER, GAS VALVE W/ GASKET	NKB 080 - 110 / NKC 110
16	100275537	ADAPTER, GAS VALVE W/ GASKET	NKB / NKC 150
16	100276430	ADAPTER, GAS VALVE W/ GASKET	NKB / NKC 199
17	100275538	GASKET, GAS VALVE ADAPTER	ALL
18	100275539	VENTURI, NAT.	NKB 080 - 110 / NKC 110 N
18	100284322	VENTURI, NAT.	NKB / NKC 150 N
18	100275540	VENTURI, NAT	NKB / NKC 199 N
18	100284310	LP CONVERSION KIT	NKB 080 L
18	100275546	LP CONVERSION KIT	NKB / NKC 110 L
18	100275548	LP CONVERSION KIT (PRIOR TO SERIAL #1837)	NKB / NKC 150 L
18	100275549	LP CONVERSION KIT	NKB / NKC 199 L
19	<b>100284309*</b>	GASKET, VENTURI O-RING	NKB 080-150 / NKC 110-150
19	<b>100208761*</b>	GASKET, VENTURI O-RING	NKB / NKC 199
20	100275550	COUPLING, VENTURI W/ CLAMPS	ALL
21	100275561	COUPLING, AIR INLET	ALL
-	100309805	LP CONVERSION KIT (BEGINNING SERIAL #1837)	NKC 150 L
<b>PILOT AND BURNER ASSEMBLIES</b>			
22	<b>100275562*</b>	KIT, IGNITOR W/ GASKET & SCREWS	ALL
23	100208086	GASKET, IGNITOR	ALL
24	100189215	KIT, SIGHT GLASS W/ GASKETS	ALL
25	100275564	GASKET, SIGHT GLASS, WHITE	ALL
26	100275566	GASKET, SIGHT GLASS, RED	ALL
27	100284307**	HEAT EXCHANGER TOP PLATE ASSEMBLY	NKB 080

PLEASE HAVE MODEL AND SERIAL NUMBER WHEN ORDERING PARTS  
\*ITEMS DENOTE SUGGESTED INVENTORY PARTS

ITEM NO.	PART NO.	DESCRIPTION	MODEL
<b>PILOT AND BURNER ASSEMBLIES (CONTINUED)</b>			
27	100275567**	HEAT EXCHANGER TOP PLATE ASSEMBLY	NKB / NKC 110
27	100275568**	HEAT EXCHANGER TOP PLATE ASSEMBLY	NKB / NKC 150
27	<b>100275569**</b>	HEAT EXCHANGER TOP PLATE ASSEMBLY	NKB / NKC 199
28	100284305	GASKET, HEAT EXCHANGER TOP PLATE	NKB 080
28	100275572	GASKET, HEAT EXCHANGER TOP PLATE	NKB / NKC 110
28	100275573	GASKET, HEAT EXCHANGER TOP PLATE	NKB / NKC 150
28	100275575	GASKET, HEAT EXCHANGER TOP PLATE	NKB / NKC 199
29	<b>100284303*</b>	BURNER W/ GASKET	NKB 080
29	<b>100275577*</b>	BURNER W/ GASKET	NKB / NKC 110
29	<b>100275578*</b>	BURNER W/ GASKET	NKB / NKC 150
29	<b>100275580*</b>	BURNER W/ GASKET	NKB / NKC 199
30	100284302	GASKET, BURNER	NKB 080
30	100275582	GASKET, BURNER	NKB / NKC 110
30	100275583	GASKET, BURNER	NKB / NKC 150 - 199
31	100284290	INSULATION, TOP PLATE	NKB 080
31	100275584	INSULATION, TOP PLATE	NKB / NKC 110
31	100275585	INSULATION, TOP PLATE	NKB / NKC 150
31	100275586	INSULATION, TOP PLATE	NKB / NKC 199
<b>MISCELLANEOUS</b>			
32	100275587	RELIEF VALVE, 50 PSI	ALL NKC
32	100284289	RELIEF VALVE, 30 PSI	ALL NKB
33	100284288	WATER TUBE, INLET	NKB 080 - 199
33	100275588	WATER TUBE, INLET - COMBI	NKC 110 - 199
34	100284287	WATER TUBE, OUTLET	NKB 080 - 199
34	100275589	WATER TUBE, OUTLET - COMBI	NKC 110 - 199
-	100319654	GASKET SET, WATER TUBE	ALL
-	<b>100284286*</b>	CONDENSATE TRAP ASSEMBLY	ALL
35	100275599	FLUE CONNECTION PIPE, 3" CPVC	ALL
36	100275600	FLUE ADAPTER, 3" PVC W/ ANALYZER PORT	ALL
-	100285280	GASKET, FLUE ADAPTER, 80 MM	ALL
-	100284240	SHUTTER, AIR - LP	NKB 080 L
-	100284239	SHUTTER, AIR - LP	NKB / NKC 110 L
-	100284238	SHUTTER, AIR - LP (PRIOR TO SERIAL #1837)	NKB / NKC 150 L
-	100309807	SHUTTER, AIR - LP (BEGINNING SERIAL #1837)	NKB / NKC 150 L
-	100284236	HARNESS, UNIT	NKB 080 - 150
-	100284237	SHUTTER, AIR (LP ONLY)	NKB / NKC 199 L
-	100275616	HARNESS, MAIN UNIT	NKC 110 - 199
-	100275604	HARNESS, POWER - COMBI	NKC 110 - 199
-	100284235	HARNESS, POWER	NKB 080 - 199
-	100284234	HARNESS, SPARK IGNITOR	ALL
-	100275606	HARNESS, CONNECTION BOARD	ALL
-	100312423	RIBBON CABLE	ALL
-	100286123	OUTLET, LWCO, AIR VENT AUTO	ALL
37	100278305	COMBUSTION ANALYZER PORT COVER	ALL
<b>JACKET ASSEMBLIES</b>			
38	100275609	KIT, DISPLAY BEZEL W/ CLIPS	ALL
39	100275610	KIT, BEZEL BRACKET W/ CONTROL OVERLAY LABEL	NKB 080 - 150 / NKC 110
39	100275631	KIT, BEZEL BRACKET W/ CONTROL OVERLAY LABEL	NKC 150 - 199
40	100284105	JACKET, OUTER FRONT DOOR ASSEMBLY	ALL
40	100275637	JACKET, OUTER FRONT DOOR ASSEMBLY	NKC 110
40	100275638	JACKET, OUTER FRONT DOOR ASSEMBLY	NKC 150 - 199
-	100284114	JACKET, OUTER TOP FRONT	NKB 080
-	100284113	JACKET, OUTER TOP FRONT	NKB 110

**PLEASE HAVE MODEL AND SERIAL NUMBER WHEN ORDERING PARTS**  
**\*ITEMS DENOTE SUGGESTED INVENTORY PARTS**

ITEM NO.	PART NO.	DESCRIPTION	MODEL
<b>JACKET ASSEMBLIES (CONTINUED)</b>			
-	100275632	JACKET, OUTER TOP FRONT	NKC 110
-	100284111	JACKET, OUTER TOP BACK	NKB 080
-	100284110	JACKET, OUTER TOP BACK	NKB 110
41	100284109	JACKET, OUTER TOP, LEFT	NKB 150
41	100275633	JACKET, OUTER TOP - LEFT	NKC 150 - 199
42	100284107	JACKET, OUTER TOP - RIGHT	NKB 150
42	100318329	JACKET, OUTER TOP - RIGHT	NKB 199
42	100275634	JACKET, OUTER TOP - RIGHT	NKC 150
42	100275635	JACKET, OUTER TOP - RIGHT	NKC 199
43	100284104	JACKET, OUTER LEFT SIDE	NKB 080
43	100284103	JACKET, OUTER LEFT SIDE	NKB 110 - 199
43	100275639	JACKET, OUTER LEFT SIDE	NKC 110 - 199
44	100275640	JACKET, OUTER RIGHT SIDE	NKC 110 - 199
44	100284102	JACKET, OUTER RIGHT SIDE	NKB 080
44	100284101	JACKET, OUTER RIGHT SIDE	NKB 110 - 199
<b>COMBI WATERSET COMPONENTS</b>			
45	100275501	HEAT EXCHANGER ASSEMBLY, BRAZED PLATE	NKC 110 - 199
46	<b>100275528*</b>	SENSOR, FLOW	NKC 110 - 199
47	<b>100278304*</b>	SWITCH, FLOW W/ GREASE COMPOUND	NKC 110 - 199
48	<b>100275607*</b>	PUMP ASSEMBLY W/ GASKETS	NKC 110 - 199
49	100318269	FLOW GROUP W/ GASKETS, OUTLET PIPE, UNIT HARNESS (PRIOR TO SERIAL #1919)	NKC 110 - 199
49	100318322	FLOW GROUP W/ GASKETS (BEGINNING SERIAL #1919)	NKC 110 - 199
50	100275592	RETURN GROUP W/ GASKETS	NKC 110 - 199
51	100275593	GASKET, HEX TO FLOW GROUP	NKC 110 - 199
52	100275594	DIVERTER MOTOR W/ CLIP	NKC 110 - 199
53	100276429	CLIP, DIVERTER MOTOR	NKC 110 - 199
-	100275598	HOSE, CONDENSATE TRAP	NKC 110 - 199
54	100276452	MOUNTING PLATE, WATERSET	NKC 110 - 199
55	100278302	DIVERTER MOTOR ASSEMBLY	NKC 110 - 199
56	100278303	BYPASS ASSEMBLY	NKC 110 - 199
57	100278304	SWITCH, FLOW W/ GREASE COMPOUND (EXPLODED VIEW)	NKC 110 - 199
58	100318326	WATER PRESSURE SWITCH	NKC 110 - 199
59	100318328	PLUG W/ O-RING	NKC 110 - 199

PLEASE HAVE MODEL AND SERIAL NUMBER WHEN ORDERING PARTS  
\*ITEMS DENOTE SUGGESTED INVENTORY PARTS

# Notes

