

New & Improved Heavy Duty 1/2" - 4" Bulkhead Fittings

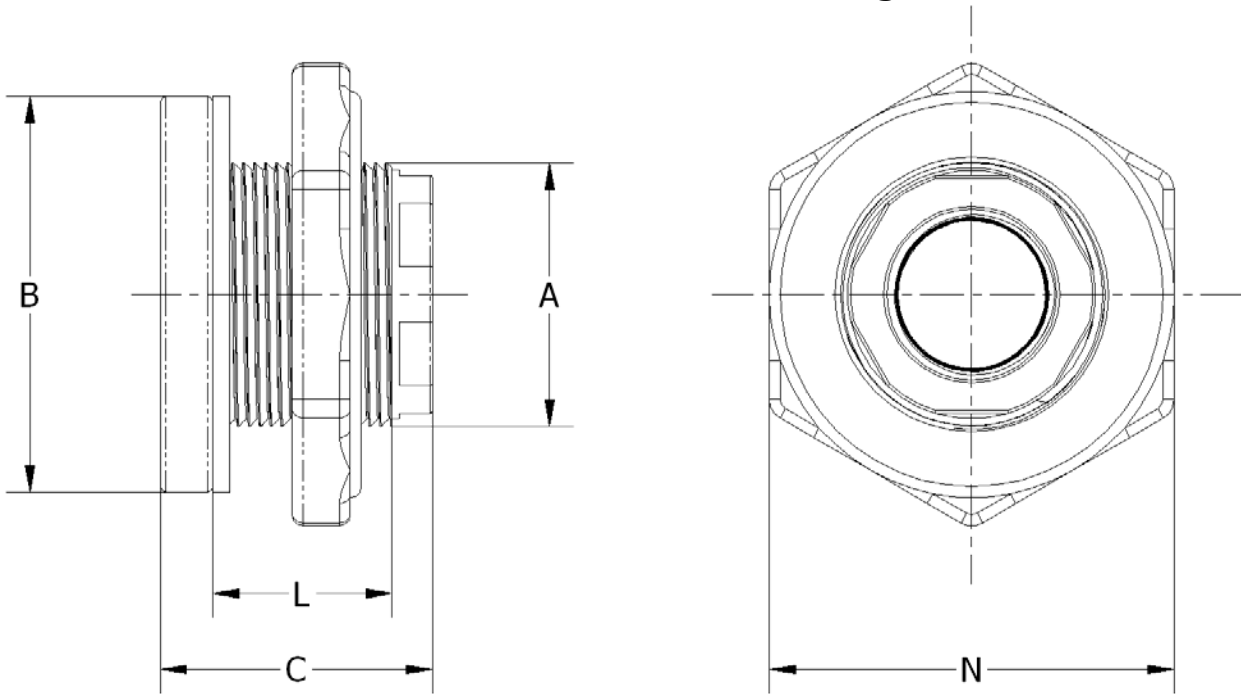
Our new and improved Bulkhead Fitting line provides our customers with a sense of security of installing a robust fitting which will stand up to almost any extreme application. The design features of these fittings are:

- Extended body height to compensate for thick tank wall applications.
 - Heavy Duty cross-sectional wall thickness to withstand high torque tightening avoiding thread stripping or damage.
 - Double tapped NPT threads with left hand self-tightening nut.
- Made from high quality engineered resins. PVC is a Type I Grade I Industrial Fitting Grade resin and our PPG is 20% Glass Reinforced Copolymer Polypropylene.
- Bulkheads are available on request in various other materials such as Natural Polypropylene for food applications, CPVC and PVDF for higher temperature and aggressive chemical applications.
 - Standard gasket materials are EPDM and Viton.



FIPT SIZE	BLACK PPG PART #	PVC PART #
1/2"	PBG7025807DTN	P7025807DTN
3/4"	PBG7025808DTN	P7025808DTN
1"	PBG7025809DTN	P7025809DTN
1-1/4"	PBG7025810DTN	P7025810DTN
1-1/2"	PBG7025811DTN	P7025811DTN
2"	PBG7025812DTN	P7025812DTN
3"	PBG7025814DTN	P7025814DTN
4"	PBG7025816DTN	P7025816DTN
1-1/2" Heavy-Duty	PBG7025811DTNHD	P7025811DTNHD
2" Heavy-Duty	PBG7025812DTNHD	P7025812DTNHD

1/2" - 4" Bulkhead Fittings



FIPT SIZE	A	B	C	N	L	INSTALLATION HOLE
1/2"	1.39"	2.18"	2.25"	2.18"	1.33	1-7/16"
3/4"	1.39"	2.18"	2.25"	2.18"	1.33	1-7/16"
1"	2.27"	3.26"	3.05"	3.06"	2.13	2-5/16"
1-1/4"	2.27"	3.26"	3.05"	3.06"	2.13	2-5/16"
1-1/2"	3.01"	4.58"	3.14"	4.61"	2.02	3-1/16"
2"	3.01"	4.58"	3.14"	4.61"	2.02	3-1/16"
3"	4.47"	6.00"	3.62"	5.99"	2.23	4-1/2"
4"	5.64"	8.86"	6.00"	8.87"	3.73	5-11/16"
1-1/2" Heavy-Duty	3.04"	5.60"	3.36"	5.75"	1.98	3-1/16"
2" Heavy-Duty	3.04"	5.60"	3.36"	5.75"	1.98	3-1/16"