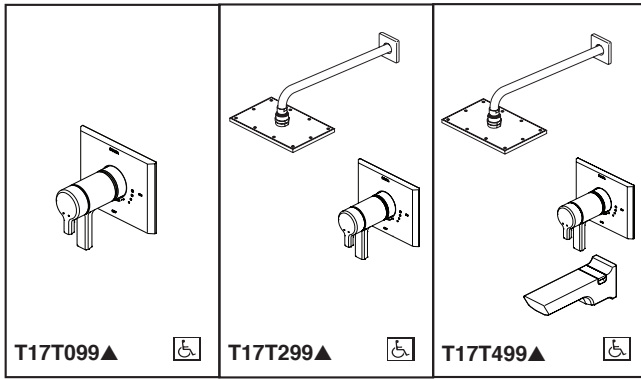


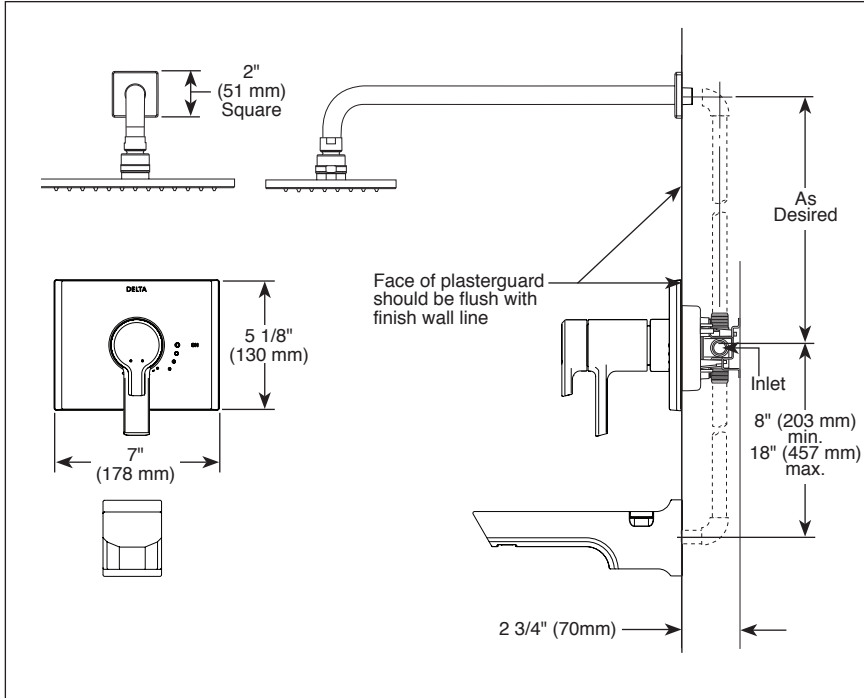


see what Delta can do<sup>SM</sup>

# TUB AND SHOWER FAUCET TRIM



Submitted Model No.: \_\_\_\_\_  
 Specific Features: \_\_\_\_\_



- Pivotal™ Bath Collection
- TempAssure® Thermostatic
- Valve Only (T17T099)
- Shower Only (T17T299)
- Tub/Shower (T17T499)

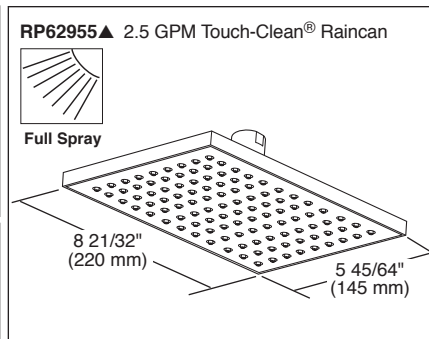
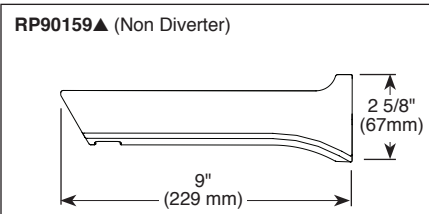
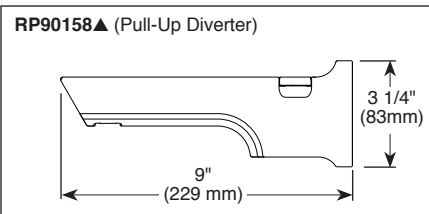
## STANDARD SPECIFICATIONS:

- TempAssure® 17T thermostatic valve cartridge
- Thermostatic wax element maintains the outlet temperature to  $\pm 3.6^{\circ}\text{F}$
- Maximum 2.5 gpm @ 80 psi, 9.5 L/min @ 550 kPa
- Must also order MultiChoice® Universal rough separately (R10000 series)
- Back-to-back installation capability
- Lever volume control handle; temperature adjustment dial
- Field adjustable to limit rotation into hot water zone
- All parts are replaceable from the front of the valve
- Adjusts for up to 1" wall thickness
- Red/blue pad print temperature indicator on the temperature adjustment dial
- Stem extension kit RP75136 can be ordered to allow for an additional 1 3/4" wall thickness. RP75136 ships with chrome escutcheon screws.

## WARRANTY

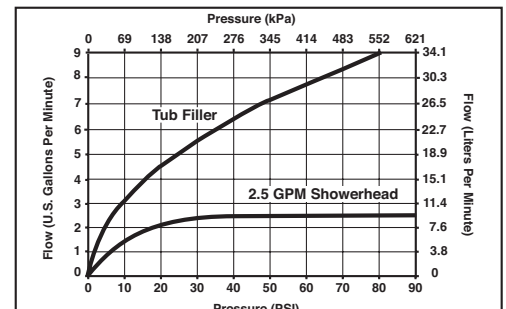
- Lifetime limited warranty on parts (other than electronic parts and batteries) and finishes: or, for commercial users, for 5 years from date of purchase.
- 5 year limited warranty on electronic parts (other than batteries); or, for commercial users, for 1 year from the date of purchase. No warranty is provided on batteries.

### ▲ Designate Proper Finish Suffix



## COMPLIES WITH:

- ASME A112.18.1 / CSA B125.1
- Indicates compliance to ICC/ANSI A117.1- Valve control only



## Delta Faucet Company

55 E. 111th Street, Indianapolis, Indiana 46280  
 350 South Edgeware Road, St. Thomas, ON N5P 4L1  
 © 2017 Delta Faucet Company

Delta reserves the right (1) to make changes in specifications and materials, and (2) to change or discontinue models, both without notice or obligation. Dimensions are for reference only. See current full-line price book or [www.deltafaucet.com](http://www.deltafaucet.com) for finish options and product availability.

DSP-B-T17T099 Rev. B