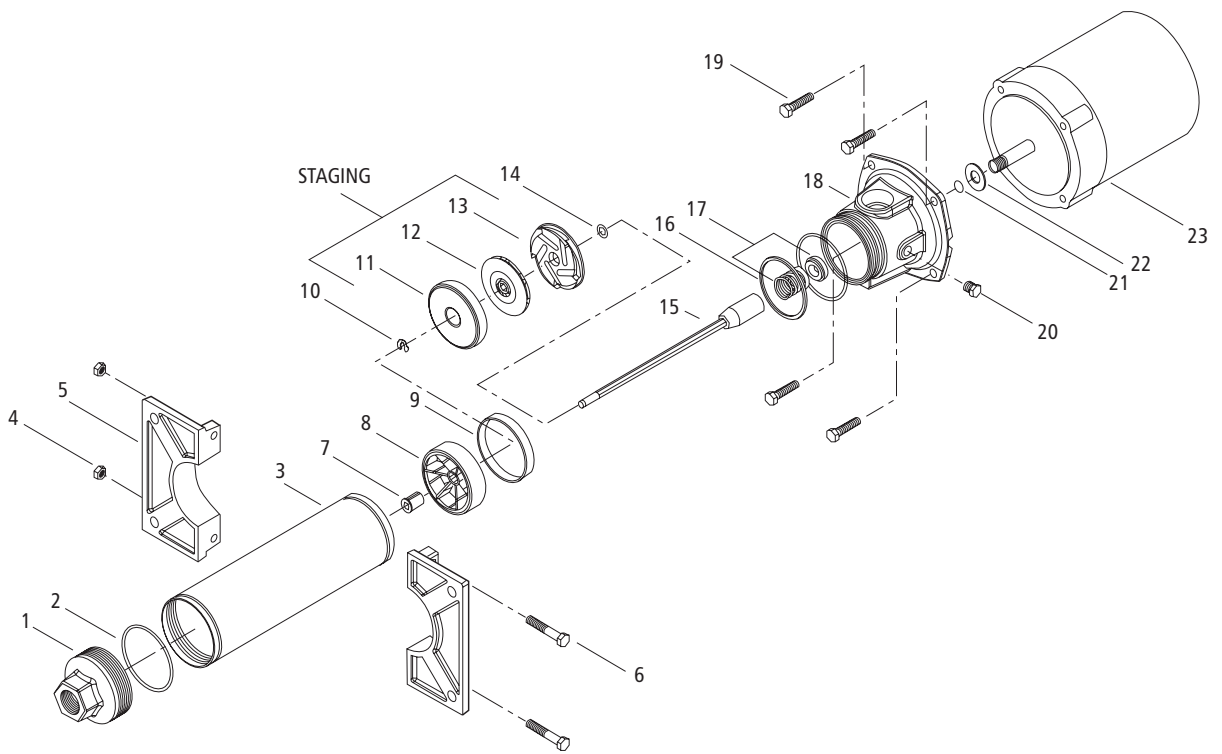


ITT

Commercial Water

Goulds Pumps

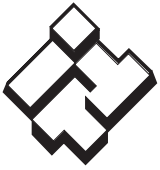
25VB Repair Parts



Goulds Pumps is a brand of ITT Corporation.

www.goulds.com

Engineered for life



ITT

GOULDS PUMPS Commercial Water

25VB Numbering System

The various versions of the Series VB are identified by a product code number on the pump label. This number is also the catalog number for the pump. The meaning of each digit in the product code number is shown below. The following are the standard product numbers and are built with Three Phase TEFC motors and standard staging and seal options.

Order No.		Description				
Cast Iron	Stainless	HP	Phase	Voltage	Enclosure	Stages
25VBC1015E4	25VBS1015E4	1	3	230-460	TEFC	5
25VBC1515G4	25VBS1515G4	1½				7
25VBC2015J4	25VBS2015J4	2				9
25VBC3015N4	25VBS3015N4	3				13

VB Numbering System

For optional seals configurations use the following product code system.

Example Product Code 25VBC1015E4

25 VB C 10 1 5 E 4

MECHANICAL SEAL AND O-RING

4 = Standard on Cast Iron or Stainless Steel.

For Optional Mechanical Seal modify catalog order no. with Seal Code listed below.

John Crane Mechanical Seal (3/8" seal)						
Seal Code	Rotary	Stationary	Elastomers	Metal Parts	Part No.	Casing O-Ring
2	Carbon	Ceramic	BUNA	316SS	10K46	BUNA
3		Sil-Carbide	EPR		10K18	EPR
4		Ceramic	Viton		10K24	Viton
5		Sil-Carbide	Viton		10K55	Viton

NUMBER OF STAGES

E = 5 J = 9

G = 7 N = 13

DRIVER

5 = 3 PH, TEFC

DRIVER: HERTZ/POLE/RPM

1 = 60 Hz, 2 pole, 3500 RPM

HP RATING

10 = 1 HP 20 = 2 HP

15 = 1½ HP 30 = 3 HP

MATERIAL – DISCHARGE HEAD AND SUCTION HOUSING

C = Cast Iron

S = Stainless Steel

PUMP MODEL

VB

GALLONS PER MINUTE

25

Note: Not recommended for operation beyond recommended range specified on H-Q curve.

For critical application conditions consult factory.

Note: Not all combinations of motor, impeller and seal options are available for every pump model. Please check with Goulds Pumps on non-cataloged numbers.



ITT

GOULDS PUMPS Commercial Water

25VB Standard Repair Parts List

				HP	Model	
					VB25	
					Number of Stages	
				1	5	
				1½	7	
				2	9	
				3	13	
Item No.	Description	Material	Quantity	HP	Part Number	
1	Discharge Head	Cast Iron	1	All	1K343	
		304 SS			1K347	
2	O-Ring Casing	Standard BUNA	2		5K225	
		Optional EPR			5K281	
		Optional Viton			5K282	
3	Casing	304 SS	1		1	7K1788
					1½	7K1789
					2	7K1790
					3	7K1791
4	Hex Head Nut	Steel	2		All	13K89
5	Mounting Clamp Half	Cast Iron		1K323		
6	Hex Head Screw	Steel	1	13L43		
7	Bearing Spider	GF Polycarbonate		7K1372		
8	Bearing	Urethane	1	7K1740		
9	Adapter Ring	300 SS		4K464		
10	Klip Ring	301 SS	= Staging	7K817		
11	Bowl	304 SS		7K18		
12	Impeller	GF Polycarbonate	= Staging	7K19		
13	Diffuser			7K20		
14	Shim	304 SS	Varies	7K155		
15	Shaft/Coupling Assembly		304 SS	1	1	7K1792
					1½	7K1793
					2	7K1794
		3			7K1795	
16	Spacer	GF Polycarbonate	All	4L443		
17	Mechanical Seal	See Mechanical Seal Chart on page 1 in the VB Numbering System				
18	Motor Adapter	Cast Iron	1	All	1K615	
		304 SS			1K348	
19	Screw, Motor to Motor Adapter	Steel	4		13K69	
20	Pipe Plug	316 SS	1		6K2	
						6K141
21	O-Ring Coupling	Standard BUNA	1		5K283	
		Optional EPR			5K284	
		Optional Viton			5K285	
22	Deflector	BUNA			5K7	
23	Motor	See Repair Part Motor List				

25VB Close-Coupled Motors 3500 RPM

HP	Three-Phase, 60 Hz, 208-230/460 V**, 56J Frame					
	Open, Drip-Proof			Totally Enclosed, Fan Cooled		
	Order No.	Max. Amps	Weight (lbs.)	Order No.	Max. Amps	Weight (lbs.)
1				C06876GRM	3.2-3.2/1.6	21
1½				C07876GRM	4.5-4.8/2.4	27
2				C08876GRM	5.6-5.4/2.7	33
3				C09876GRM	8/4	38

Note: * 3HP TEFC motors are 230/460 Volt only.



ITT

Commercial Water



Goulds Pumps and the ITT Engineered Blocks Symbol are registered trademarks and tradenames of ITT Corporation.

SPECIFICATIONS ARE SUBJECT TO CHANGE WITHOUT NOTICE.

R25VB March, 2008

© 2008 ITT Corporation

Engineered for life