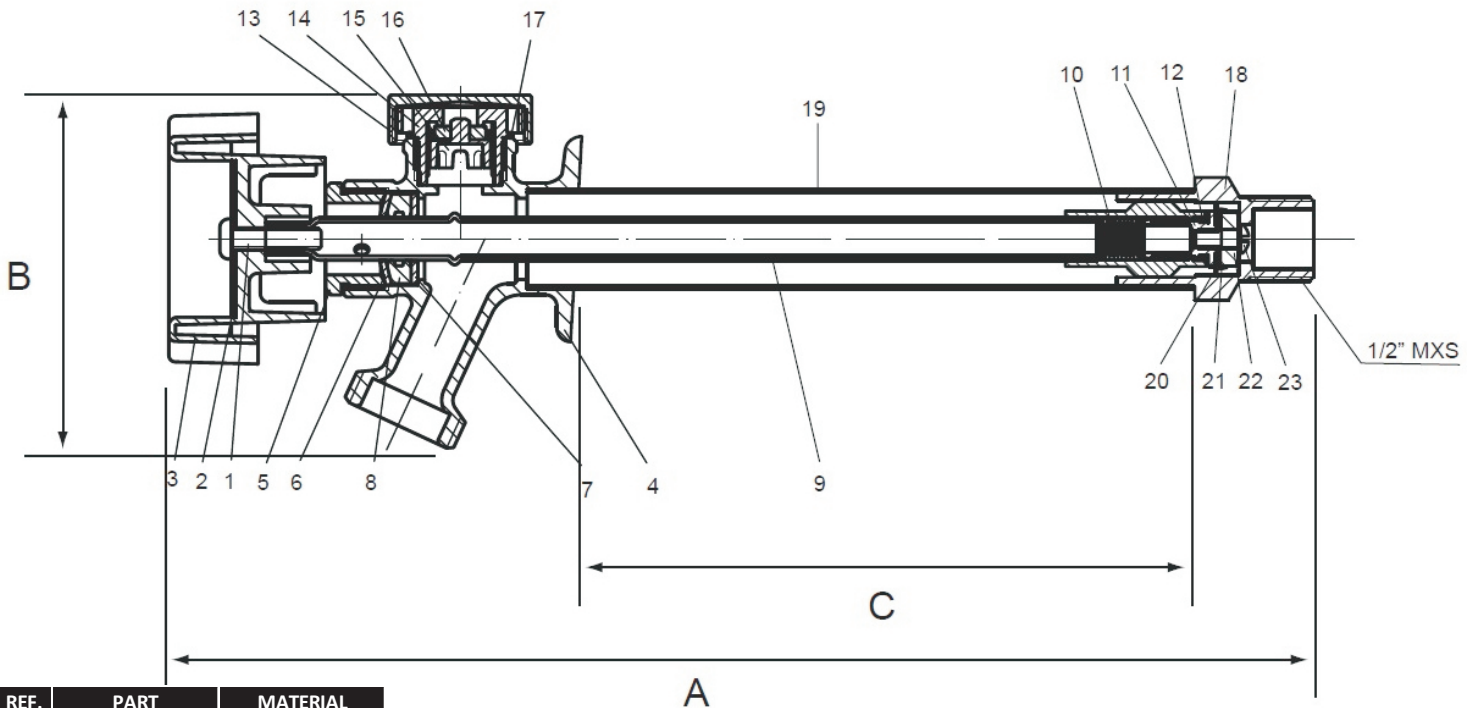
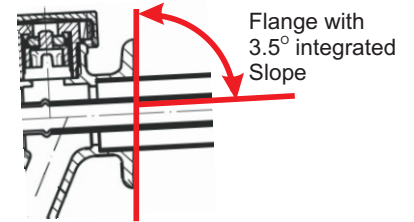
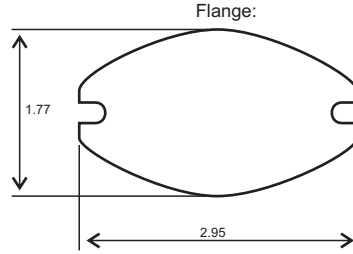


CHROME PLATED FROST FREE FAUCETS



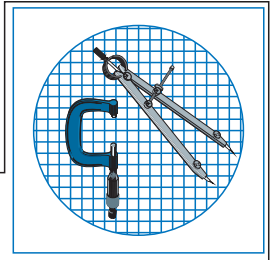
REF.	PART	MATERIAL
1	SCREW	BRASS
2	LABEL	ALUMINUM
3	HANDLE	ALU/ABS
4	BODY ASSEMBLY	BRASS C.P.
5	STEM HOLDER	BRASS
6	WASHER	SS 304
7	WASHER	SS 304
8	PACKING	NBR
9	STEM	BRASS
10	SET SCREW	SS 304
11	CARTRIDGE	BRASS
12	O-RING	VITON
13	VB COVER	ABS C.P.
14	VB BODY	POM
15	VB FLOT	POM
16	SEAT	NBR
17	O-RING	NBR
18	ADAPTER	BRASS
19	TUBE	BRASS
20	PACKING	NBR
21	STEM WASHER	BRASS
22	WASHER	NBR
23	SCREW	BRASS

ULTRA TYPE WITH SPRING LOADED STOP MECHANISM

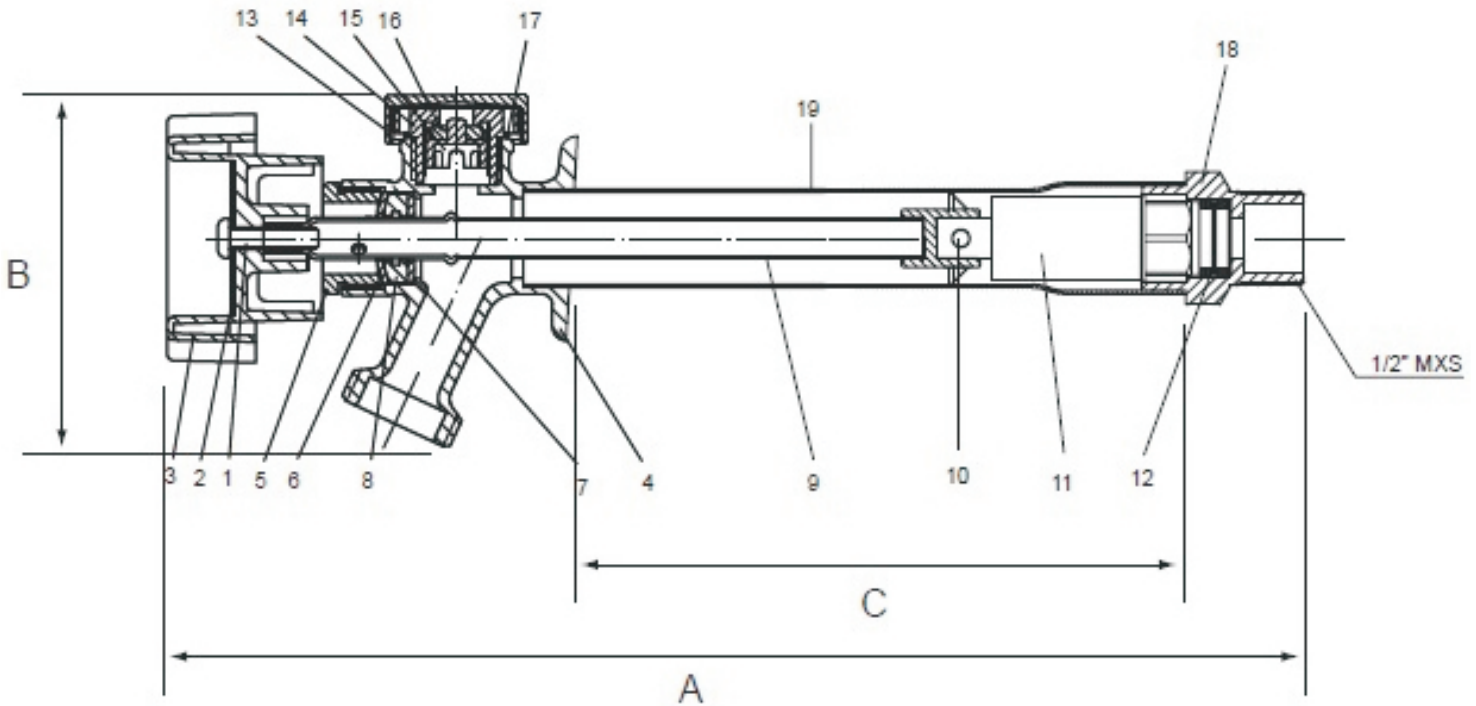
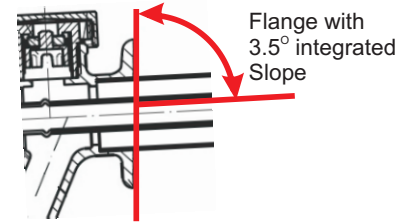
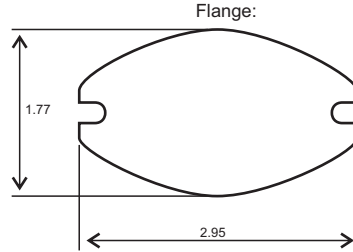
Working & maximum water pressure: 125 psi
 Working water temperature: 32 °F~140 °F (0 °C~60 °C)
 Maximum water temperature: 180 °F (82 °C)

1/2" INLET		DIMENSIONS (inches)			
C/MIPS	PEX	SIZE	A	B	C
27404	27504	4"	8.57	3.11	4
27406	27506	6"	10.57	3.11	6
27408	27508	8"	12.57	3.11	8
27410	27510	10"	14.57	3.11	10
27412	27512	12"	16.57	3.11	12
27414	27514	14"	18.57	3.11	14
27418	27518	18"	22.57	3.11	18





CHROME PLATED FROST FREE FAUCETS



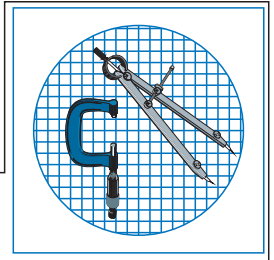
QUARTER TURN TYPE WITH CERAMIC CARTRIDGE MECHANISM

REF.	PARTS	MATERIAL
1	SCREW	BRASS
2	LABEL	ALUMINUM
3	HANDLE	ALU/ABS
4	BODY ASSEMBLY	BRASS C.P.
5	STEM HOLDER	BRASS
6	WASHER	SS 304
7	WASHER	SS 304
8	PACKING	NBR
9	STEM	BRASS
10	SET SCREW	SS 304
11	CARTRIDGE	BRASS
12	O-RING	VITON
13	VB COVER	ABS C.P.
14	VB BODY	POM
15	VB FLOT	POM
16	SEAT	NBR
17	O-RING	NBR
18	ADAPTER	BRASS
19	TUBE	BRASS

Working & maximum water pressure: 125 psi
 Working water temperature: 32 °F~140 °F (0 °C~60 °C)
 Maximum water temperature: 180 °F (82 °C)

1/2" INLET		DIMENSIONS (inches)			
C/MIPS	PEX	SIZE	A	B	C
27004	27204	4"	8.57	3.11	4
27006	27206	6"	10.57	3.11	6
27008	27208	8"	12.57	3.11	8
27010	27210	10"	14.57	3.11	10
27012	27212	12"	16.57	3.11	12
27014	27214	14"	18.57	3.11	14
27018	27218	18"	22.57	3.11	18

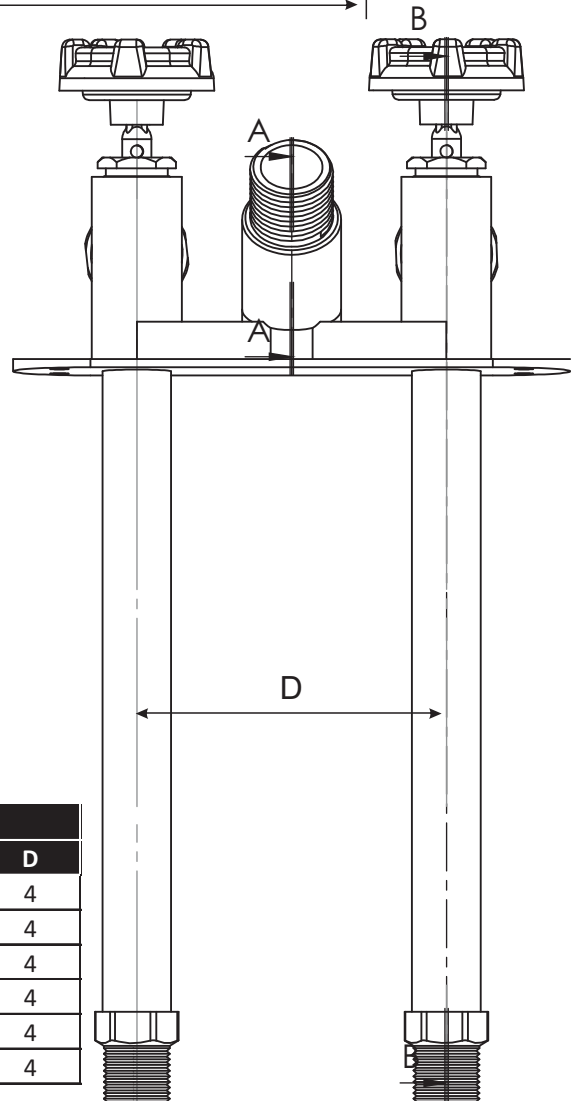
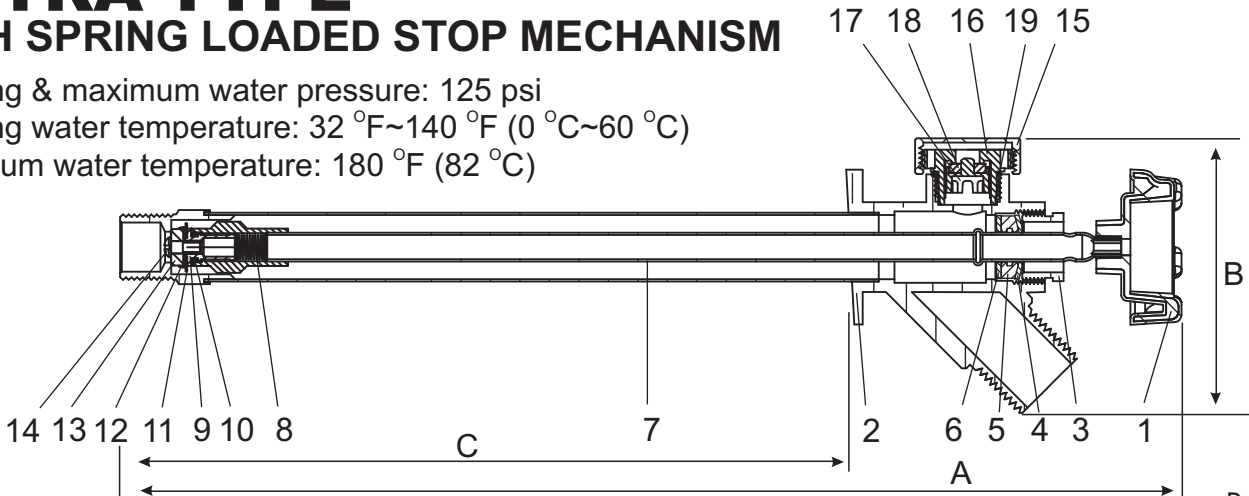




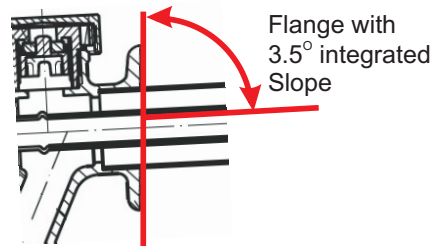
CHROME PLATED FROST FREE FAUCETS

HOT & COLD MIXER ULTRA TYPE WITH SPRING LOADED STOP MECHANISM

Working & maximum water pressure: 125 psi
 Working water temperature: 32 °F~140 °F (0 °C~60 °C)
 Maximum water temperature: 180 °F (82 °C)



REF.	PARTS	MATERIAL
1	HANDLE	ALU/ABS
2	BODY ASSEMBLY	BRASS C.P.
3	STEM HOLDER	BRASS
4	WASHER	SS 304
5	PACKING	NBR
6	WASHER	SS 304
7	STEM	BRASS
8	SPRING	SS 304
9	CARTRIDGE	BRASS
10	O-RING	VITON
11	PACKING	NBR
12	STEM WASHER	BRASS
13	WASHER	NBR
14	SCREW	BRASS
15	VB COVER	ABS C.P.
16	VB BODY	POM
17	VB FLOT	POM
18	SEAT	NBR
19	O-RING	NBR



1/2"		DIMENSIONS (inches)			
C/MIPS	SIZE	A	B	C	D
27804	4"	8.57	3.11	4	4
27806	6"	10.57	3.11	6	4
27808	8"	12.57	3.11	8	4
27810	10"	14.57	3.11	10	4
27812	12"	16.57	3.11	12	4
27814	14"	18.57	3.11	14	4