

36C Series

Model PRC - Pressure Reducing Valve

SUBMITTAL SHEET

"Apollo" Valves



Job Name:	
Job Location:	
Engineer:	
Contractor:	
Tag:	
PO#:	
Rep:	
Wholesale Dist.:	

DESCRIPTION

Apollo® Model PRC (36C Series) Pressure Reducing Valves are designed to protect non-potable water distribution systems by automatically controlling excessive pressure changes. The valves integral thermoplastic cage provides maximum corrosion resistance. Designed for easy in-line servicing with bottom cleanout access to seat disc and strainer.

FEATURES

- Lead Free Option Available
- Balanced Piston Design
- Sealed Spring Cage Vault
- SS Adjusting Screw & Nut
- Built-in Thermal Expansion By-Pass
- Easy Access to Seat Disc and SS Strainer
- Factory Preset at 50 psi
- NPT, Solder, PEX, CPVC, Press Connections
- **100% Manufactured in USA**

OPTIONS

- (36C-LF) Certified Lead Free

PERFORMANCE RATING

- Maximum Supply Pressure: 400 psig
- Std. Temperature Range: 33°F - 180°F
- Maximum Set Pressure: Standard: 75 psig
High Pressure: 125 psig

APPROVALS

- ASSE 1003-2009 - Water Pressure Reducing Valves
- CSA B356 - Water Pressure Reducing Valves For Domestic Water Supply Systems

Not intended for potable water

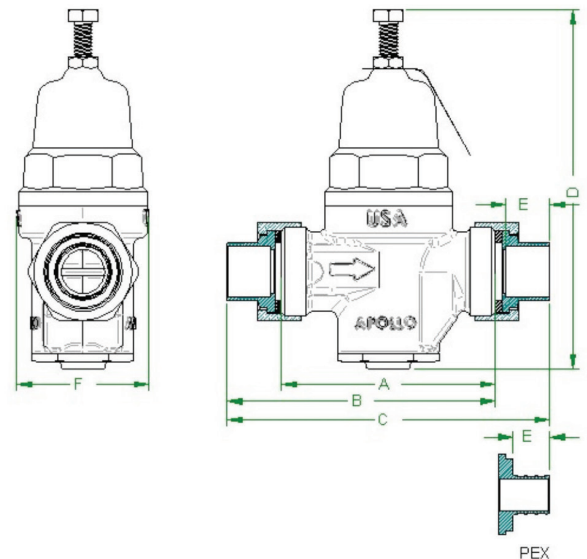
STANDARD MATERIALS LIST

BODY	Bronze, ASTM B584
UNION NUT	Brass, ASTM B16
TAILPIECE	Brass, ASTM B16
SCREEN	Stainless Steel
CAP	Noryl™
DIAPHRAGM	NSF Grade EPDM
SEAT DISC	NSF Grade EPDM
ADJUSTING SCREW/NUT	Stainless Steel
SPRING	Spring Steel, ASTM 228
O-RINGS	NSF Grade EPDM

DIMENSIONS

Size (in.)	Connect Type	Dimensions (in.)						Wt. (Union) lbs. each
		A	B	C	D	E	F	
1/2"	THREAD	3.625	4.50	5.375	6.00	0.625	2.75	3.5
	SOLDER	3.625	4.50	5.50	6.00	0.50	2.75	3.4
	PEX	3.625	4.50	5.50	6.00	0.625	2.75	3.3
	CPVC	3.625	4.25	5.00	6.00	0.50	2.75	3.1
	PRESS	3.625	-	5.875	6.00	-	2.75	2.99
3/4"	THREAD	3.625	4.50	5.50	6.00	0.625	2.75	3.4
	SOLDER	3.625	4.50	5.50	6.00	0.75	2.75	3.3
	PEX	3.625	4.625	5.625	6.00	0.625	2.75	3.2
	CPVC	3.625	4.50	5.50	6.00	0.625	2.75	3
	PRESS	3.625	-	5.75	6.00	-	2.75	3.04
1"	THREAD	3.75	4.625	5.75	6.00	0.625	3.375	4.5
	SOLDER	3.75	4.625	5.75	6.00	0.875	3.375	4.4
	PEX	3.75	4.75	6.00	6.00	0.75	3.375	4.3
	CPVC	3.75	4.75	6.00	6.00	0.9375	3.375	4
	PRESS	3.625	-	5.875	6	-	3.375	3.46

Nominal dimensions are shown. Allowances must be made for manufacturers' tolerances.



MODEL NUMBER MATRIX

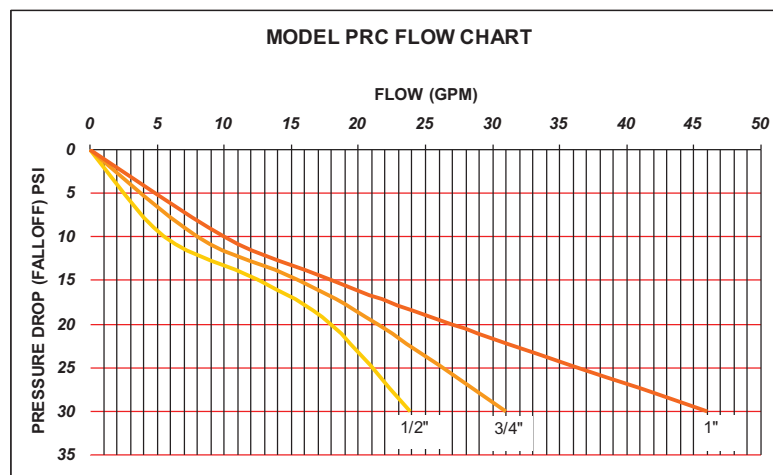
PRC	X	X	X	X	X
UNION	GAUGE	PRESSURE RANGE	SIZE	END CONNECTION*	
blank - Single Union	blank - No Gauge Port	blank - 25 - 75 PSIG range	12 - 1/2"	blank - FNPT x FNPT	
E - Extended Union	P - w/Gauge Port Plugged	L - 10 - 35 PSIG range	34 - 3/4"	Single Union	
D - Double Union	G - w/Pressure Gauge	H - 75 - 125 PSIG range	1 - 1"	S - Solder x FNPT	
T - No Union (Threaded Only)				C - CPVC x FNPT	
				X - PEX x FNPT	
				Double Union	
				S - Solder x Solder	
				C - CPVC x CPVC	
				X - PEX x PEX	
				B - BSPT x BSPT	
				SC - Solder x CPVC	
				SX - Solder x PEX	
				CX - CPVC x PEX	
				PR - Press x Press	

PART NUMBER MATRIX

36CLF	X	XX	X	X	X
SERIES	CONNECTION	SIZE	GAUGE	PRESSURE	OPTION
36CLF	1 - Single Union NPT	03 - 1/2"	0 - Without Gauge	1 - 25 - 75 PSIG range	C - CPVC Tailpiece
36C (non potable)	2 - No Union NPT	04 - 3/4"	P - w/Gauge Port Plugged	2 - 10 - 35 PSIG range	AUB - Extended Union (3/4" and 1")
	3 - Single Union Solder x NPT	05 - 1"	G - w/Gauge	3 - 75 - 125 PSIG range	PR - Press
	4 - Double Union NPT				
	5 - Double Union Solder				
	9 - Double Union PEX				

WATER CAPACITY (GPM)

Fall-Off (PSI)	Pressure Differential (PSI)		
	25	50	75
5	1.3	1.5	1.7
10	4.7	5.5	6.3
15	10.6	12.5	14.4
20	15.3	18	20.7
5	2.1	2.5	2.9
10	6.8	8	9.2
15	13.2	15.5	17.8
20	18.3	21.5	24.7
5	2.8	3.3	3.7
10	8.5	10	11.5
15	15.3	18	20.7
20	21.3	25	28.8



Note: Flow curves are based on static conditions of 100psi inlet pressure and 50 psi outlet pressure. Pressure differential is the difference between the supply pressure and adjusted outlet pressure measured in the static (closed) condition. Pressure fall-off is the decrease in downstream regulated pressure as the flow increases.