

COLONY SOFT SHOWER TRIM

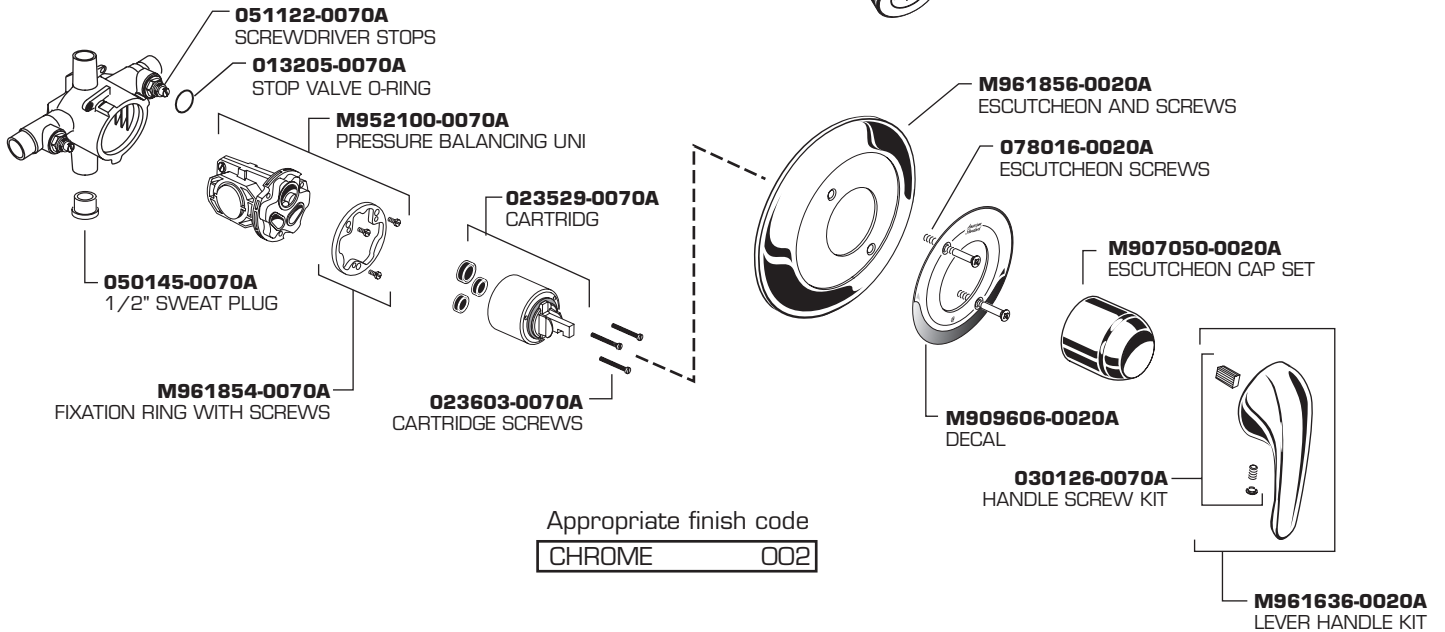
MODEL NUMBER

T675.501

PRESSURE BALANCE TEMPERATURE/VOLUME CONTROL VALVE

MODEL NUMBER

R120SS

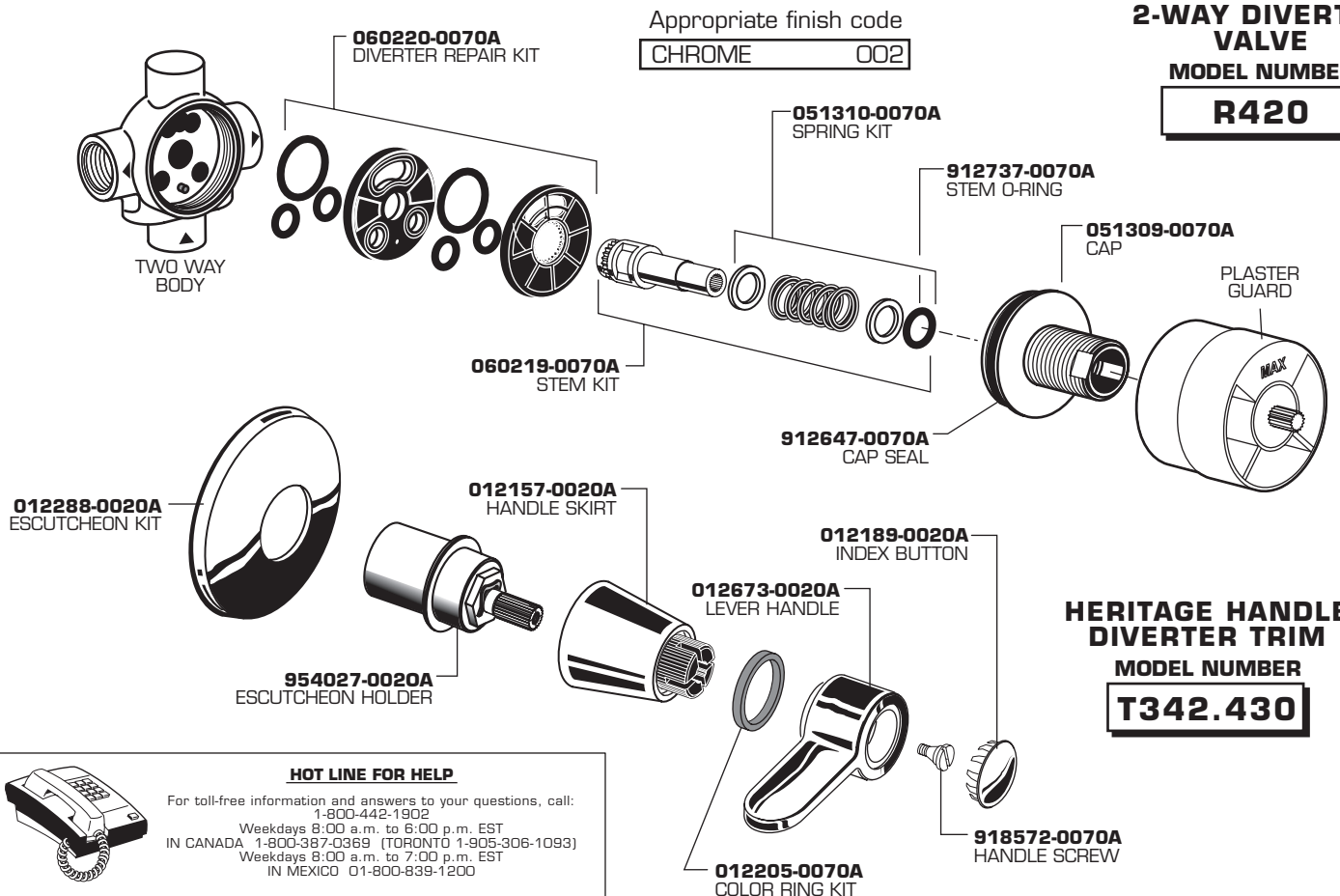


Appropriate finish code
CHROME 002

2-WAY DIVERTER VALVE

MODEL NUMBER

R420



Appropriate finish code
CHROME 002

HERITAGE HANDLE DIVERTER TRIM

MODEL NUMBER

T342.430

HOT LINE FOR HELP

For toll-free information and answers to your questions, call:
 1-800-442-1902
 Weekdays 8:00 a.m. to 6:00 p.m. EST
 IN CANADA 1-800-387-0369 (TORONTO 1-905-306-1093)
 Weekdays 8:00 a.m. to 7:00 p.m. EST
 IN MEXICO 01-800-839-1200

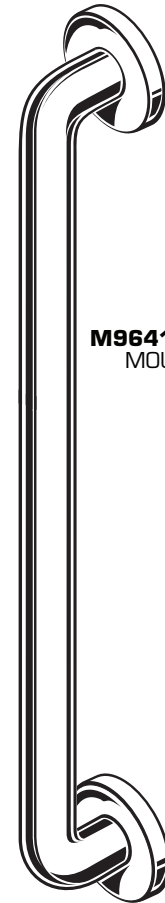
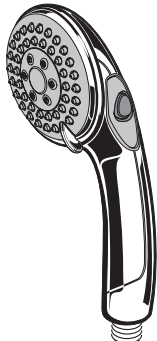


36" SLIDE BAR
1660.236.002

3-FUNCTION HAND SHOWER

1660766.002
(1.5 gpm)

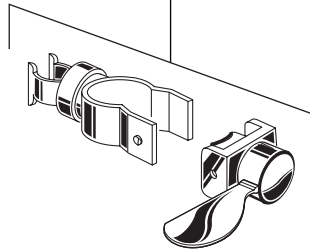
1660767.002
(2.5 gpm)



M964179-0070A
MOUNTING KIT



M9641800020A
SPRAY HOLDER ASSEMBLY

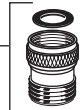


WALL SUPPLY
8888.037.002

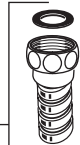
8888037.002
WALL SUPPLY



M962520-0020A
CHECK VALVE



030782-0020A
HOSE KIT



METAL HOSE
8888.035.002

Appropriate finish code
CHROME 002



HOT LINE FOR HELP

For toll-free information and answers to your questions, call:
1-800-442-1902
Weekdays 8:00 a.m. to 6:00 p.m. EST
IN CANADA 1-800-387-0369 (TORONTO 1-905-306-1093)
Weekdays 8:00 a.m. to 7:00 p.m. EST
IN MEXICO 01-800-839-1200