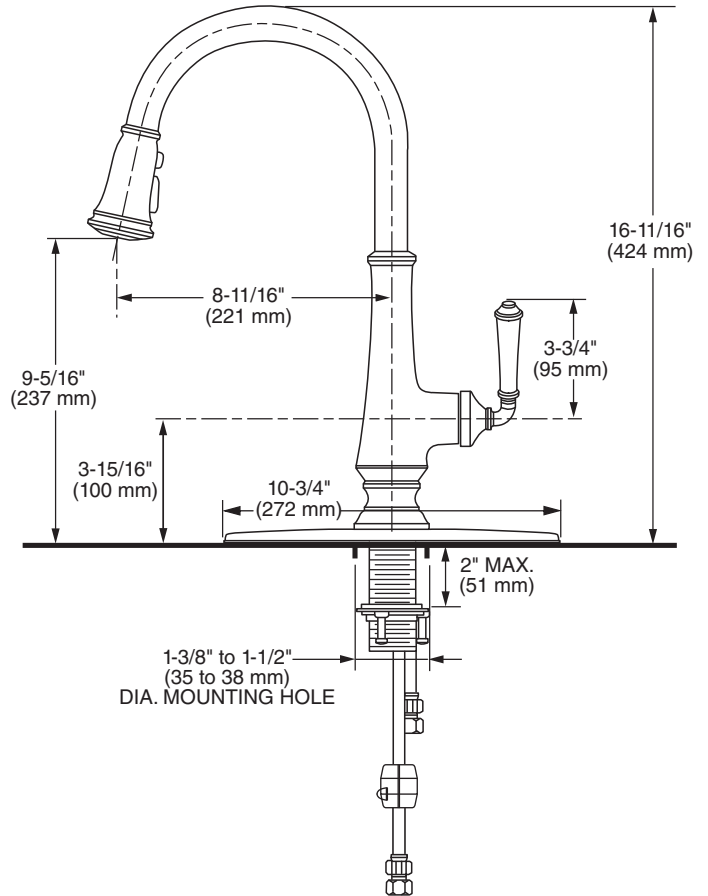


MODEL NUMBER:

□ **4279300 Pull-Down Faucet**



GENERAL DESCRIPTION:

Metal body and handle with brass swivel spout. Pull-down spray with adjustable spray pattern and pause feature. Nylon braided pull out hose complete with two integral check valves. Washerless 35 mm ceramic disc valve cartridge. 28-3/4" long braided flexible supply hoses with 3/8" compression connections. Mounting shank with brass fixation ring. 1.5 gpm/5.7 L/min. maximum flow rate. Fitting can be mounted with or without escutcheon plate which is sold separately.

PRODUCT FEATURES:

- Ceramic Disc Valve Cartridge:** Assures a lifetime of smooth handle operation and drip-free performance.
- Metal Construction:** Quality materials for durability & long life.
- Lead Free:** Faucet contains ≤ 0.25% total lead content by weighted average.
- Pull-down Spray:** Adjustable spray pattern-stream to spray and pause feature.
- Integral Check Valves:** Prevents back flow.

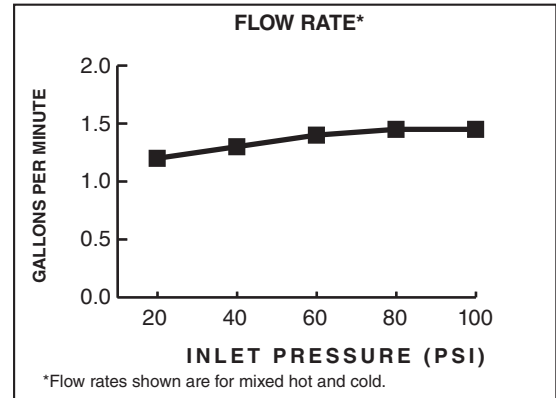
SUGGESTED SPECIFICATION

Single control kitchen faucet shall feature a metal body with brass pull-down spray. Shall also feature washerless ceramic disc valve cartridge, flexible braided supply hoses and two integral check valves. Fitting shall be American Standard Model # 4279300._____.

CODES AND STANDARDS

These products meet or exceed the following codes and standards:

- ANSI A117.1**
- ASME A112.18.1**
- CSA B125.1**
- NSF/ANSI/CAN 61: Q<1**
- NSF/ANSI/CAN 372**

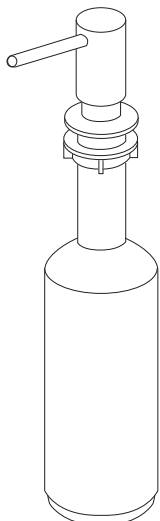


1.5 gpm/5.7 L/min. FLOW RATE

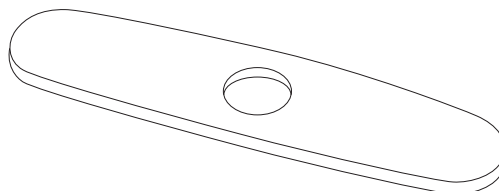
Product Number	Description	Finish Options				
		Polished Chrome	Polished Nickel	Stainless Steel	Legacy Bronze	Brushed Cool Sunrise
		002	013	075	278	GN0
4279300	Pull-Down Kitchen Faucet	✓	✓	✓	✓	✓
4503120	Liquid Soap Dispenser - Check all finish boxes.	✓	✓	✓	✓	✓
1660152	Kitchen Faucet Deck Plate - Check all finish boxes.	✓	✓	✓	✓	✓

ADA Meets the American Disabilities Act Guidelines and **ANSI A117.1** Requirements for the physically challenged.

Soap Dispenser & Deckplate (Not Included)



4503120



1660152